



Zen
Hush
Projector
Enclosures
5-50K



Zen Hush Projector Enclosures

Tempest is the world's leading manufacturer of large format indoor projector enclosures for noise attenuation in presentation suites, digital cinema, live theatre and concert venues — any noise-sensitive indoor space.

Until recently, Tempest's Whisper and Tacit enclosures achieved excellent noise attenuation through the use of cooling fans located in a remote location, so that their noise is not disturbing to the audience.

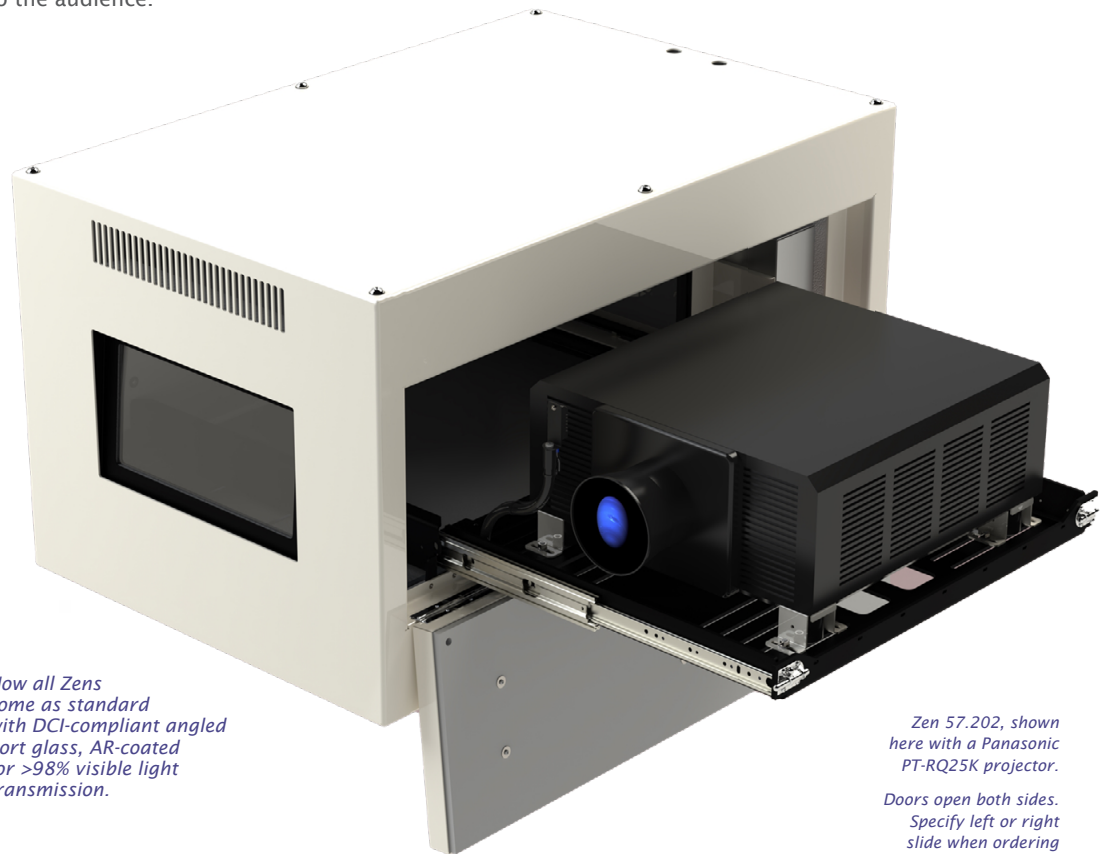
The remote fan strategy delivers excellent acoustic performance, but may not be feasible for installation in some venues, including historic theatres, concert halls and museums, where new ductwork may be prohibited.

Now, Tempest Zen enclosures offer a standalone solution, with noise attenuation very close to remote fan levels, but without the need for inlet or exhaust ducts.

Airflow starts automatically when the projector comes out of standby. Tempest's patented DEC4 controller brings you a host of additional control and monitoring features, with an over-dimensioned variable-speed DC blower with 1% speed increments for total control of cooling and acoustic performance. Zen includes projector inlet temperature sensing, overtemp protection, and optional networked monitoring.

zen : a state of calm attentiveness in which one's actions are guided by intuition rather than by conscious effort.

Webster's Dictionary



Now all Zens come as standard with DCI-compliant angled port glass, AR-coated for >98% visible light transmission.

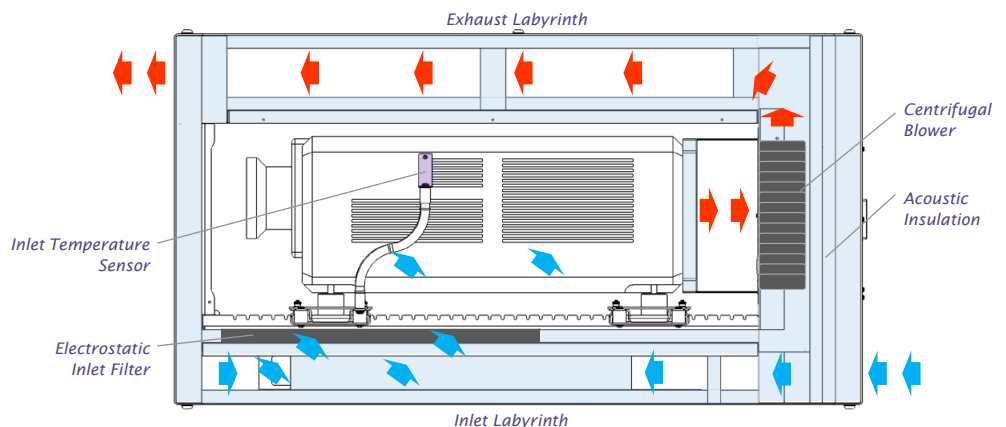
Zen 57.202, shown here with a Panasonic PT-RQ25K projector.

Doors open both sides. Specify left or right slide when ordering (left slide shown here)

Integral Cooling

Inlet air enters through the base, through an inlet labyrinth made from fire-resistant melamine acoustic foam. It then passes through an electrostatic dust filter before reaching the projector.

Exhaust air similarly passes through an exhaust labyrinth above the projector chamber and exits above the enclosure port glass.



Zen Hush Projector Enclosures

Professional Grade Installation



Zen is the ONLY true professional grade installation stand-alone hush enclosures designed and tested to meet or exceed the expectations of architects and acousticians for the most stringent noise-sensitive environments.

Zen is not a wooden touring box adapted for use in auditoria. Its pedigree is Tempest's unique experience designing and building projector enclosures for the most exacting permanent installations — there are thousands of Tempest enclosures out there working every day, some for more than a decade.

Tempest works closely with all the leading video projector manufacturers, and all Tempest enclosures for projectors 20,000 lumens and up are tested and approved with the intended projector before a single one is shipped. Your projector warranty is safe with Tempest.

Rigging & Wiring

All Zen enclosures come with six M12 rigging points on the

top and four on the bottom, for simple, safe installation. Tempest offers a wide range of rigging accessories too!

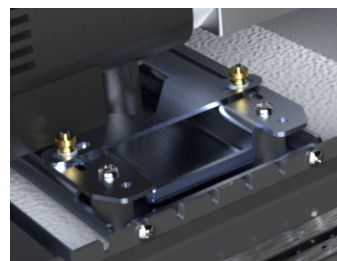
And you can choose from two pairs of discreet conduit knock-outs for power and signal wiring access, on the back or top, depending on your application.

Projector Mounts

This is so important — it's easy to install your projector from either side of the Zen enclosure, and to access it the same way for service.

So, you can easily adjust the projector pan, tilt and roll, then lock it securely in position.

Did we mention the projector 'floats' on neoprene vibration mounts? We're not taking any chances — neither should you.



Projector Types

We can build you a Zen enclosure for almost any projector/lens combination — but this is important: to get Zen's super-low sound levels it's vital that the projector exhaust mates snugly to the foam pad on the front of the exhaust blower. Most projectors exhaust to the rear, but those emitting hot air to the front or sides may be better suited to a Tempest Tacit enclosure.

Zen Custom

Most Zen enclosures are 'vanilla' landscape. But we know that you'll be needing portrait and UST versions too, and we deal with these on a case-by-case basis — just contact us and we'll be a part of your design team.

Zen Hush Projector Enclosures

Unistrut Kit (57.UR.xxx)

A pair of Unistrut rails mounted above or below your Zen enclosure makes installation easy, using industry-standard hardware.



Stacking Kit (51.SK)

Stack up to three Zen enclosures (ground supported) or two (hanging), with 75mm (3in) air gap between enclosures.



Filter

Zen's incoming air is filtered through a washable electrostatic dust filter, prolonging the life of your projector's (expensive) inlet filters.

Power Outlets

Zen gives you a dedicated projector power outlet (usually C19), as well as two C13 outlets for auxiliary equipment — media servers, fiber boxes, etc.



Professional Grade Installation

Cycloator (51.C2)

Unsure of your projection angle? Cycloator gives you adjustable angle control, up to 60° up or down, as well as the ability to restore horizontal positioning for service access.



Angle Mount (57.AM.xxx)

Need a fixed tilt angle? This simple yet sturdy mount allows tilt angles 10° to 45° up or down.



Port Glass

Zen's optical-grade port glass assures crisp images with minimal light loss.

Security

Three heavy-duty security latches on each side door guarantees projector security, even in public areas.

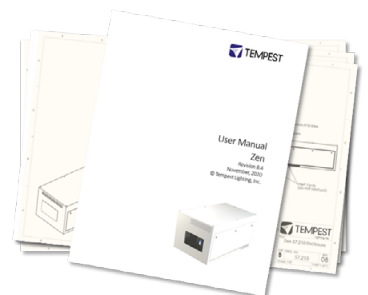
Documentation

Tempest wants you to be well-informed! Every Tempest enclosure comes with a detailed and comprehensive user manual.

And detailed acoustic data and competitive analysis is available for download at tempest.biz.

And 2D .pdf and .dwg drawings.

And 3D .STEP files.



That's Professional Grade.

Zen Hush Projector Enclosures

Professional Grade Touring



This Zen 305T is road ready, with Truss Kit, Casters and Touring Connector options.

Zen to Go

Touring theatre, opera, dance and even orchestras are using projection more and more. So when they tour, the projectors go too.

Now Zen gives you a professional grade touring hush box, with all the benefits of the world's quietest indoor enclosure, and rigging and wiring built for the road.

Casters Kit (57.CK.xxx)

Four (or six) heavy-duty braked casters let you roll this Zen off the truck, onto the stage, and fly it out (and you can travel the projector inside to save truck space).

With the casters you also get four heavy duty lifting handles.

Soft Cover (57.TSC.xxx)

A Ballistic Nylon cover with reinforced end panels to protect the port glass and connector panels during transit and storage.

Touring Connector Kit (57.TCK)

This gives you a dedicated power inlet connector plus six Neutrik feedthrough connectors on the back of the enclosure. See the Zen Configurator (last page) for connector types.

Neutrik Feedthroughs: pick any combination of up to six compatible connectors.



for North American 208V systems, a separate 120V C14 inlet connector provides 120V internal aux power.

Up to six Neutrik feedthru signal connectors — any type — with custom text labels

Zen Hush Projector Enclosures

Zen — or Tacit?

Tempest also offers Tacit ducted indoor projector enclosures.

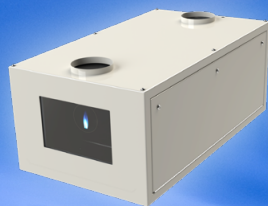
There is not much difference in noise attenuation between Tacit and Zen enclosures, but they both offer advantages for different types of application:

Use Zen:

- Simple installation
- No air ducts
- Landscape format

Use Tacit:

- Slightly better acoustic performance
- Portrait, UST versions
- Custom applications
- Hostile environments (eg: pool areas, theme park rides)
- if heat load in the space is an issue



Tacit Info

Professional Grade Acoustics

Frequency (Hz)	Ambient dB	Projector (Panasonic PT-RZ21K) dB	Projector in Zen 210 Enclosure dB
20	19.4	28.2	23.3
25	17.8	29.9	34.7
32	13.6	24.7	24.7
40	17.3	24.0	26.6
50	12.2	23.2	25.4
63	16.3	26.6	28.5
80	15.0	25.1	25.2
100	7.3	28.3	25.0
125	8.0	31.6	26.5
160	1.6	34.0	28.5
200	-1.5	37.7	29.7
250	-1.2	39.0	25.3
315	-1.7	36.3	22.3
400	-1.1	35.7	19.4
500	-0.4	37.0	21.4
630	-0.1	36.2	15.5
800	0.6	35.4	11.0
1,000	1.3	35.5	10.6
1,250	1.9	34.2	8.0
1,600	3.9	31.9	6.3
2,000	3.4	29.6	5.1
2,500	4.3	31.8	5.4
3,150	5.2	29.1	5.7
4,000	6.2	23.0	6.4
5,000	7.0	19.9	7.1
6,300	7.6	17.6	7.7
8,000	7.9	14.8	7.9
10,000	8.0	13.9	8.0
12,500	8.0	12.2	8.0
16,000	8.1	13.3	8.1
20,000	8.7	21.0	8.3
dBA	17.0	44.0	26.1

Acoustic Performance Data

The data shown were generated in an anechoic chamber, using a Panasonic PT-RZ21K projector and a Zen 57.210.L enclosure. Three tests were performed:

1. Ambient chamber sound pressure level
2. Projector, 100% light output, on isolated mount
3. Projector, running in Zen enclosure, on isolated mount.

Detailed acoustic test data, from anechoic and reverberant chambers, are available for download [here](#).

Acoustic Test Setup (Anechoic Chamber)

Test Lab:

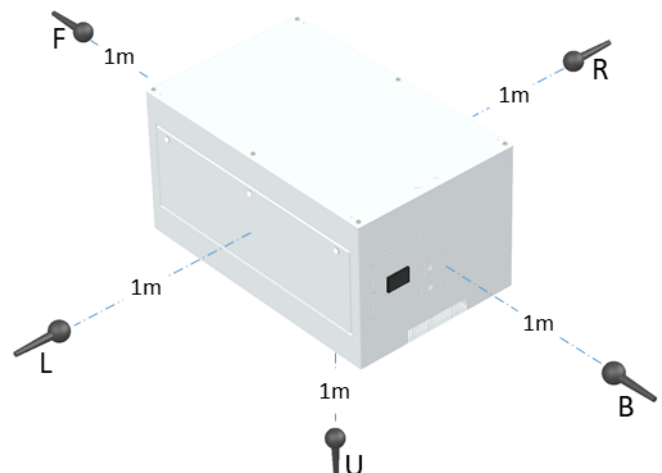
Western Electro-Acoustic Laboratory, Santa Clarita, California

Date: April 8th, 2021

Microphones:

1. 1m in front of test unit
2. 1m right of test unit
3. 1m left of test unit
4. 1m behind test unit
5. 1m below test unit

Mic values were integrated to arrive at the above values.



That's Professional Grade.

Zen Hush Projector Enclosures

Tempest System Manager is a Windows app running on a local PC connected to your enclosures over a local area network.

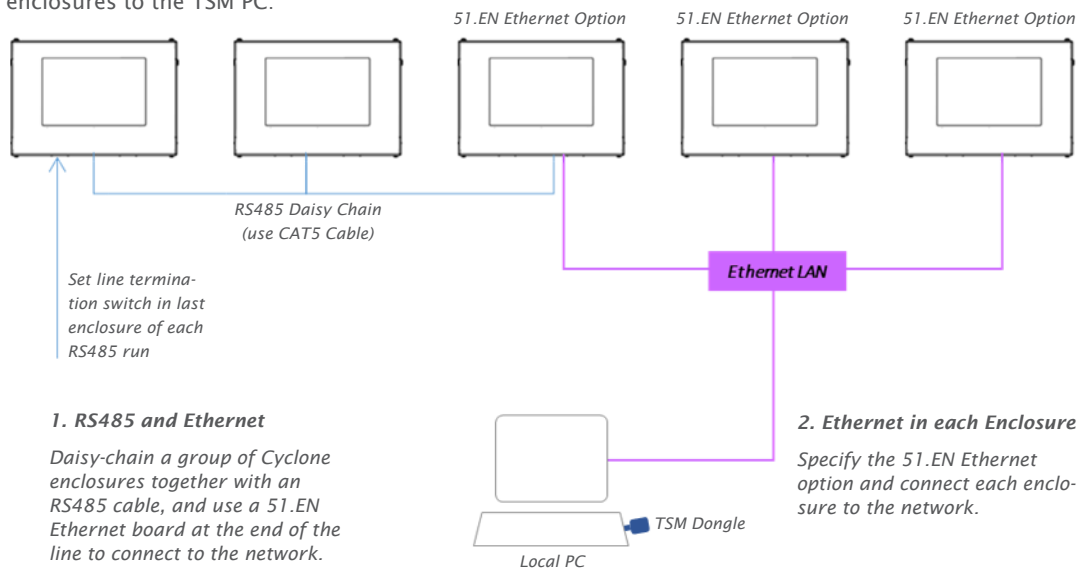
TSM discovers any Tempest enclosures present on the network at initialization, and monitors system attributes in real time, including lamp, fan and heater status, temperature, relative humidity and more.

TSM may also be used to upload firmware updates to enclosure controllers over the network, without having to visit each enclosure.

The TSM license includes 12 months unlimited user support from Tempest electronics partner JESE, and continuing support is available for a modest annual fee.

Monitoring Connections

There are two ways to connect enclosures to the TSM PC:



Tempest System Manager (optional)

Index	Description	Label	Status	Voltage	Current	RH%	Temp °C	Htr %	Fan %
1	DEC4 Controller	Cyclone 310 Left 1	Lamp On	231V	12.2A	45.7%	23.4°C	0.0%	100.0%
2	DEC4 Controller	Cyclone 310 Left 2	Lamp on	231V	12.2A	46.0%	23.8°C	0.0%	100.0%
3	DEC4 Controller	Cyclone 310 Left 3	Override	231V	0.0A	49.4%	22.6°C	0.0%	0.0%
4	DEC4 Controller	Cyclone 310 Left 4	Tripped	231V	0.1A	1.2%	66.2°C	0.0%	100.0%
5	DEC4 Controller	Cyclone 310 Left 5	Lamp on	231V	12.2A	46.1%	23.4°C	0.0%	100.0%
6	DEC4 Controller	Cyclone 310 Left 6	Lamp on	231V	12.2A	46.3%	23.5°C	0.0%	100.0%
7	DEC4 Controller	Cyclone 310 Right 1	Lamp on	231V	12.2A	46.4%	23.8°C	0.0%	100.0%
8	DEC4 Controller	Cyclone 310 Right 2	Lamp on	231V	12.2A	46.3%	23.5°C	0.0%	100.0%
9	DEC4 Controller	Cyclone 310 Right 3	Lamp on	231V	12.2A	46.0%	23.2°C	0.0%	100.0%
10	DEC4 Controller	Cyclone 310 Right 4	Lamp on	231V	12.2A	46.1%	23.1°C	0.0%	100.0%
11	DEC4 Controller	Cyclone 310 Right 5	Lamp on	231V	12.2A	46.0%	23.7°C	0.0%	100.0%
12	DEC4 Controller	Cyclone 310 Right 6	Lamp on	231V	12.2A	46.2%	23.4°C	0.0%	100.0%
13	DEC4 Controller	ard 100 UST 1	Standby	231V	0.2A	51.3%	22.1°C	0.0%	0.0%
14	DEC4 Controller	ard 100 UST 2	Standby	231V	0.2A	51.8%	22.0°C	0.0%	0.0%
15	DEC4 Controller	ard 100 UST 3	Standby	231V	0.2A	51.4%	22.2°C	0.0%	0.0%
16	DEC4 Controller	ard 100 UST 4	Standby	231V	0.2A	51.3%	22.3°C	0.0%	0.0%
17	DEC4 Controller	ard 100 UST 5	Standby	231V	0.2A	51.3%	21.8°C	0.0%	0.0%
18	DEC4 Controller	ard 100 UST 6	Standby	231V	0.2A	51.6%	22.1°C	0.0%	0.0%
19	DEC4 Controller	ard 100 UST 7	Standby	231V	0.2A	51.5%	21.4°C	0.0%	0.0%
20	DEC4 Controller	Blizzard 100 UST 8	Standby	231V	0.2A	51.7%	22.2°C	0.0%	0.0%

TSM Model Numbers

- 51.TSM.10 Up to 10 enclosures
- 51.TSM.25 Up to 25 enclosures
- 51.TSM.50 Over 25 enclosures

TEMP Protocol



Tempest also publishes a simple protocol for use by integrators wishing to monitor enclosures over an existing control network.

Connection options are the same as for System Manager.

Download the TEMP Developer Guide [here](#):

Zen Models

Zen Projector Enclosure Dimensions ¹			Enclosure							Shipping								
Model	Orientation ²	Typical Projectors ³	L (cm)	W (cm)	H (cm)	Kg	L (in)	W (in)	H (in)	Lb	L (cm)	W (cm)	H (cm)	Kg	L (in)	W (in)	H (in)	Lb
57.100.L	Landscape	Most, 7-10,000 Lumens ⁴	102	81	61	66	40	32	24	146	122	102	86	103	48	40	34	226
57.125.L	Landscape	Panasonic PT-MZ Series	102	91	61	75	40	36	24	165	122	112	86	111	48	44	34	245
57.150.L	Landscape	Most 12-15,000 Lumens ⁴	122	81	66	86	48	32	26	190	142	102	91	123	56	40	36	270
57.200.L	Landscape	Epson EB-PU 22xx	86	91	66	68	34	36	26	150	107	112	91	104	42	44	36	230
57.202.L	Landscape	Panasonic PT-RQ25K, DPI M-Vision 23K	117	81	66	81	46	32	26	178	137	102	91	117	54	40	36	258
57.204.L	Landscape	Christie M4K-25	117	81	71	83	46	32	28	183	137	102	97	120	54	40	38	263
57.210.L	Landscape	Panasonic PT-RZ21K, Barco G100	127	91	71	109	50	36	28	240	147	112	97	145	58	44	38	320
57.212.L	Landscape	Barco UDM/Njord	127	86	76	105	50	34	30	231	147	107	102	141	58	42	40	311
57.250.L	Landscape	Epson L-30000	127	94	71	124	50	37	28	273	147	114	97	161	58	45	38	353
57.305.L	Landscape	Panasonic PT-RQ35K, RZ34K, Barco UDM	132	86	81	119	52	34	32	261	152	107	107	166	60	42	42	366
57.310.L	Landscape	Barco UDX 40K	142	91	81	133	56	36	32	292	163	112	107	181	64	44	42	397
57.314.L	Landscape	Christie Griffyn 32K	152	91	81	139	60	36	32	305	173	112	107	186	68	44	42	410
57.322.L	Landscape	DPI Titan Laser 37K	147	94	81	162	58	37	32	356	168	114	107	210	66	45	42	461
57.514.L	Landscape	Christie Griffyn 50K	152	94	81	158	60	37	32	348	173	114	107	206	68	45	42	453
57.522.L	Landscape	DPI Insight 8K 37K	168	94	91	222	66	37	36	488	188	114	117	278	74	45	46	613
57.525.L	Landscape	Panasonic PT-RQ50K	163	94	86	179	64	37	34	394	183	114	112	236	72	45	44	519

⁴ Zen 100, 150 Maximum Projector Dimensions (including Lens)

Model	Orientation ²	Typical Projectors ³	L (cm)	W (cm)	H (cm)	L (in)	W (in)	H (in)	Watts
57.100.L	Landscape	Most, 7-10,000 Lumens	69	61	25	27	24	10	1,250
57.150.L	Landscape	Most 12-15,000 Lumens	89	61	30	35	24	12	1,800

¹ Due to continuous product development, weights and dimensions are subject to change. Check with Tempest before construction work.

² Landscape versions shown here. Portrait and UST versions are custom or semi-custom. Please consult Tempest for details.

³ For projectors not shown here, please contact Tempest — we will be happy to accommodate any projector type.

⁴ Please advise Tempest of the intended projector and lens models for confirmation of suitability.

All Zen products are built to order. Please contact Tempest for lead times.

All sales are subject to Tempest Lighting, Inc. Standard Terms and Conditions of Sale, available for download at www.tempest.biz.

All Schedule B Export Code: 9405.99.0000

Custom Colors

All the enclosures in this brochure are shown in our standard warm white semi-gloss finish or black. Any RAL color available to special order.

Options

51.EN	Ethernet Comms
51.TSM.xx	Tempest System Manager
57.815	Replacement Inlet Filter for Zen enclosures manufactured after 2020
0000.CL	Custom Color — specify any RAL #, plus % gloss desired
57.UR.xxx	Unistrut Rail Kit (Use the 3-digit enclosure model #, eg 57.UR.210 for Zen 57.210)
55.AM.x	Angle Mount Kit

57.TK.xxx	Zen Truss Kit (Use the 3-digit enclosure model #, eg 57.TK.210 for Zen 57.210)
51.SK	Stacking Kit
51.C2	Cyclovator
57.CK.xxxx	Casters Kit
57.TCK	Touring Connectors Kit

Zen Configurator

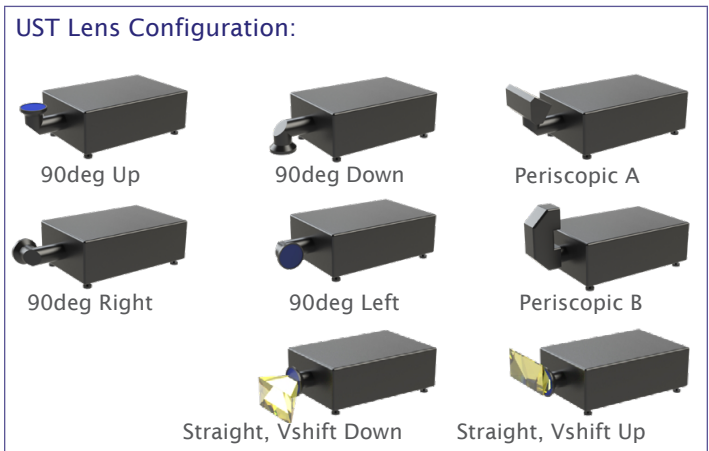
Please complete this form for each Zen model required and email to us at info@tempest.biz

Name *		
Company *		
Email *		
Phone		
Project Name & Location *		
Projector & Lens Make/Model #	Projector: *	Lens: *
Lens Shift (if > 5%)	V %	H %
Zen Model *	57.	Quantity
Destination Country *		
Expected Install Date *		
Enclosure Type *	Landscape	Portrait UST
Projector Slide *		
Supply Voltage *		
Unistrut Kit	Qty	Mounting
Ethernet Comms	Qty	Type
Spare Inlet Filter	Qty	

Zen Touring Options		
Casters Kit	Qty	
Truss Kit	Qty	
Soft Cover	Qty	
Power In Connector		
Signal Connectors:		
Connector Types (up to six Neutrik D-style feedthroughs) Type:	Position: (indicate type)	Text Label (12 characters Max)
A: Ethercon	1	1
B: OpticalCon	2	2
C: HDMI	3	3
D: Displayport	4	4
E: BNC	5	5
F: Blank	6	6
G: Other:		

Projector Power Outlet (all types include IEC 60320 C13 Aux Power):
 Select Type:
 Custom:

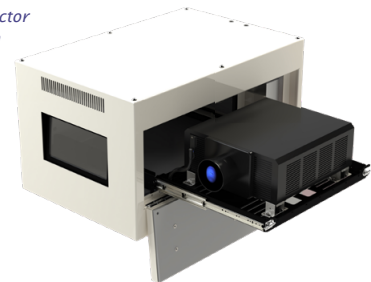
Color, standard	Black	White
Color, custom	Custom, RAL #	
Gloss levels higher than 30% may show up weld marks. Tempest accepts no responsibility in this event.	Gloss Level	%
	Salt Fog Primer: Yes	No



Custom Requests:

Factory Use Only:	SO #:	Date:
Electrical:	IEC	NEMA Wiring p:
Test:	Function	Projector
Hardware Kit:		

* Left projector slide shown here.



User manuals, CAD drawings at www.tempest.biz