

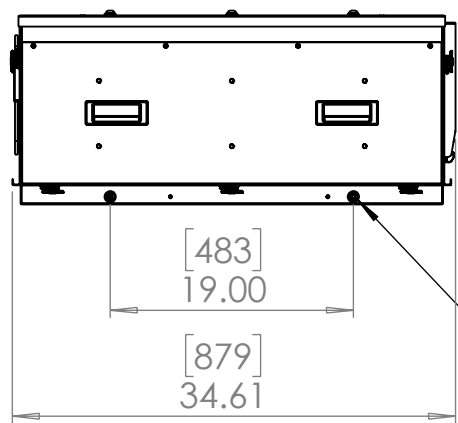
8 7 6 5 4 3 2 1

D

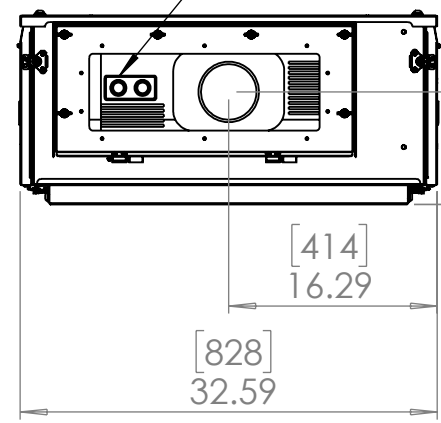
C

B

A

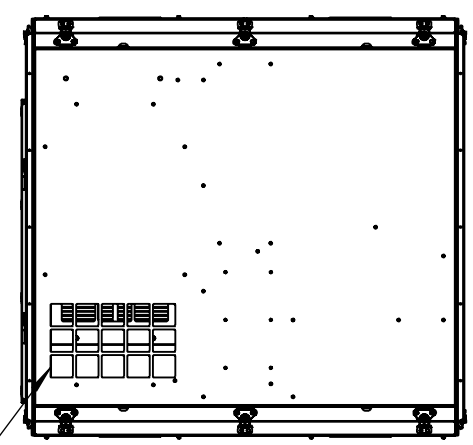
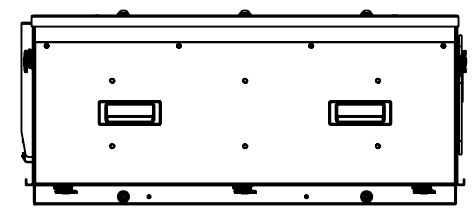
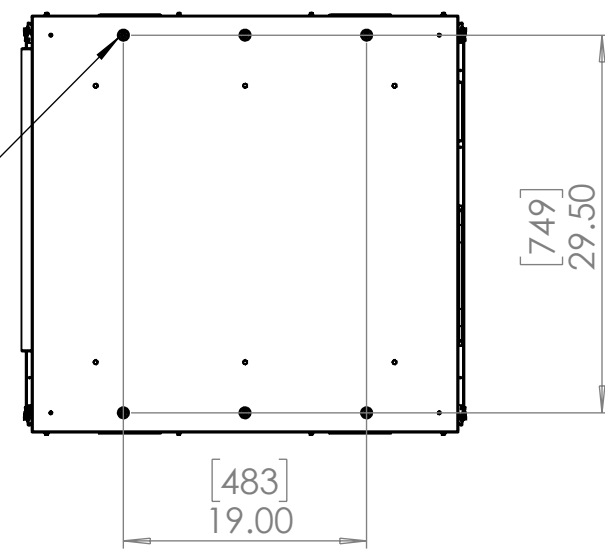


Side Rigging Points, M10-1.5 x 2

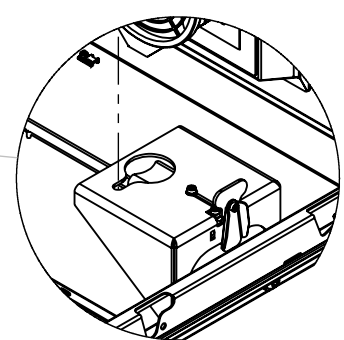
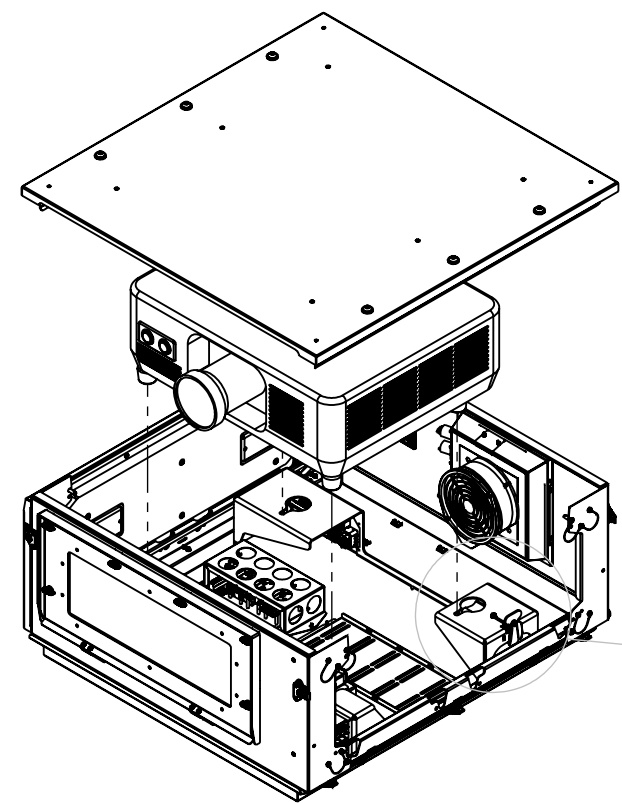
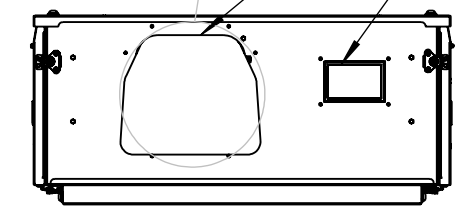
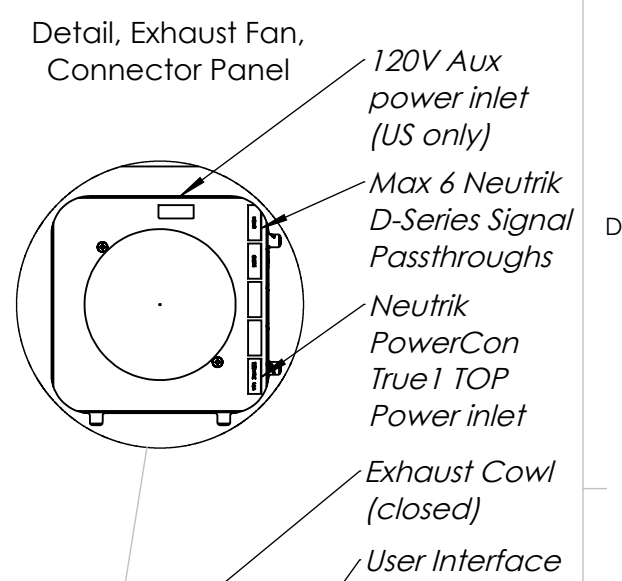


Note unobstructed camera view

Top Rigging Points, M10-1.5 x 6



Air inlet, do not obstruct



Spring-loaded security latch holds projector safely in any orientation

UNLESS OTHERWISE SPECIFIED:  
 DIMENSIONS ARE IN INCHES  
 TOLERANCES:  
 FRACTIONAL ±  
 ANGULAR: MACH ± BEND ±  
 TWO PLACE DECIMAL ±  
 THREE PLACE DECIMAL ±  
 INTERPRET GEOMETRIC TOLERANCING PER:  
 MATERIAL  
 FINISH BK01  
 DO NOT SCALE DRAWING

	NAME	DATE
DRAWN	TB	3/3/2024
CHECKED		
ENG APPR.		
MFG APPR.		
Q.A.		
COMMENTS:		

TITLE: Fly 22 Enclosure, for Epson PU22 Series

SIZE	DWG. NO.	REV
<b>B</b>	54.F22	01

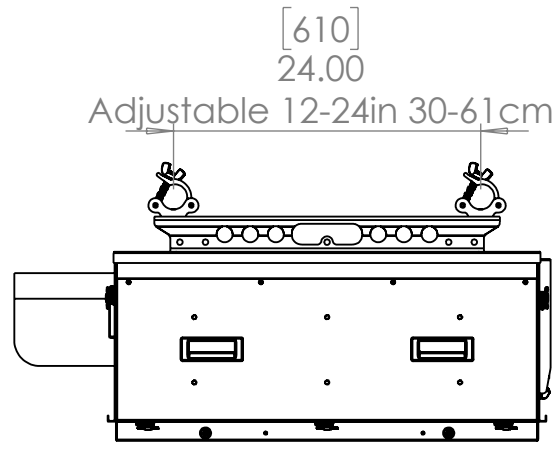
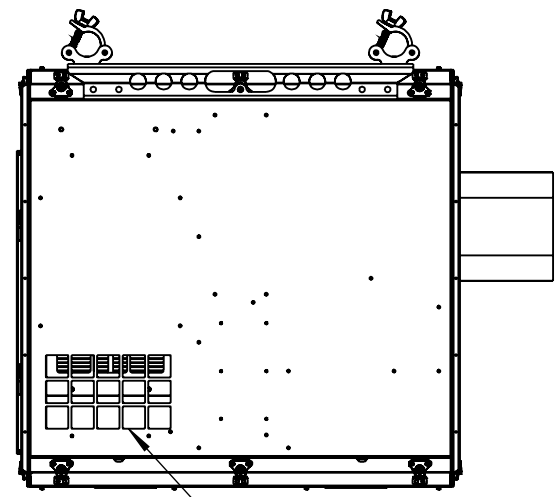
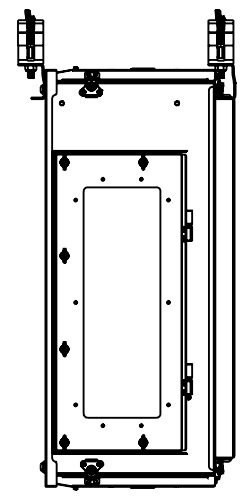
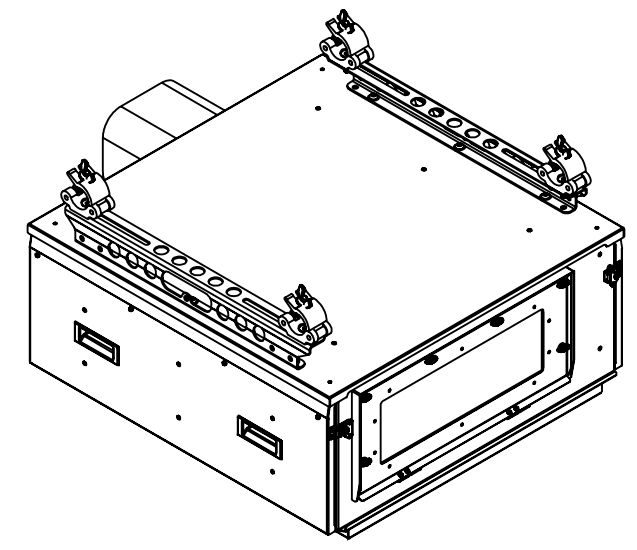
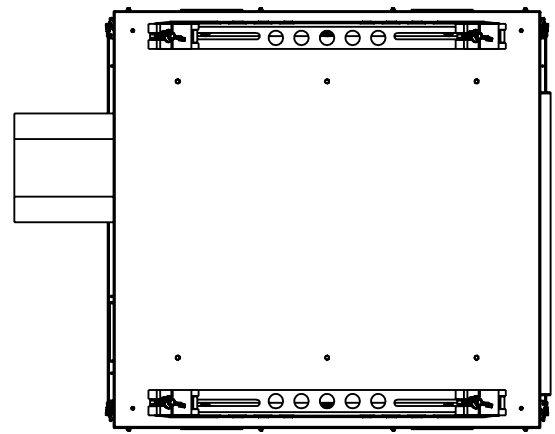
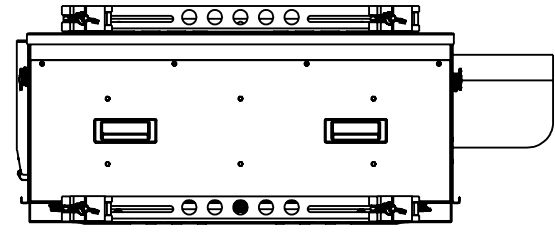
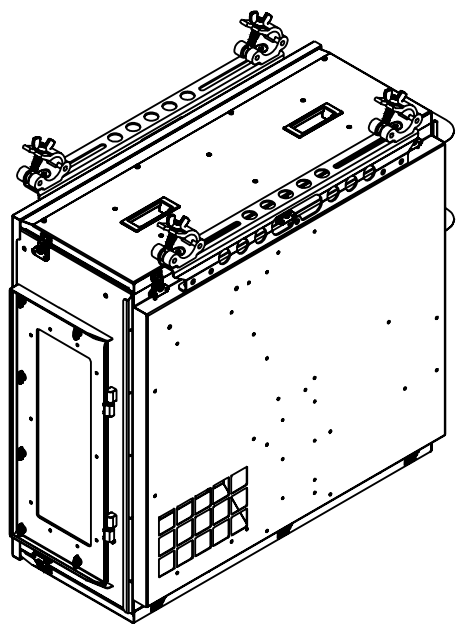
SCALE: 1:10 SHEET 1 OF 2

8 7 6 5 4 3 2 1

8 7 6 5 4 3 2 1

D  
C  
B  
A

D  
C  
B  
A



[610]  
24.00  
Adjustable 12-24in 30-61cm

*Note: Air inlet MUST be down for portrait operation*

FLY 22 TRUSS MOUNT OPTIONS

UNLESS OTHERWISE SPECIFIED:  
DIMENSIONS ARE IN INCHES  
TOLERANCES:  
FRACTIONAL ±  
ANGULAR: MACH ± BEND ±  
TWO PLACE DECIMAL ±  
THREE PLACE DECIMAL ±  
INTERPRET GEOMETRIC TOLERANCING PER:  
MATERIAL  
FINISH  
BK01  
DO NOT SCALE DRAWING

	NAME	DATE
DRAWN	TB	3/3/2024
CHECKED		
ENG APPR.		
MFG APPR.		
Q.A.		
COMMENTS:		



TITLE:  
Fly 22 Enclosure, for Epson PU22 Series

SIZE	DWG. NO.	REV
<b>B</b>	54.F22	01

SCALE: 1:10 SHEET 2 OF 2

8 7 6 5 4 3 2 1