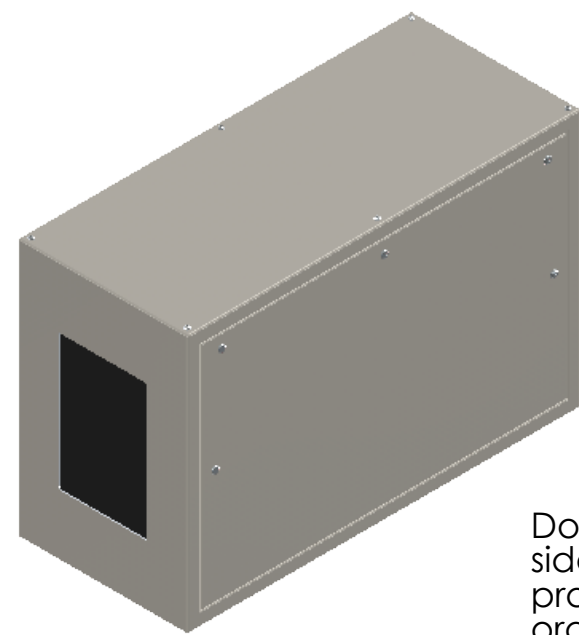
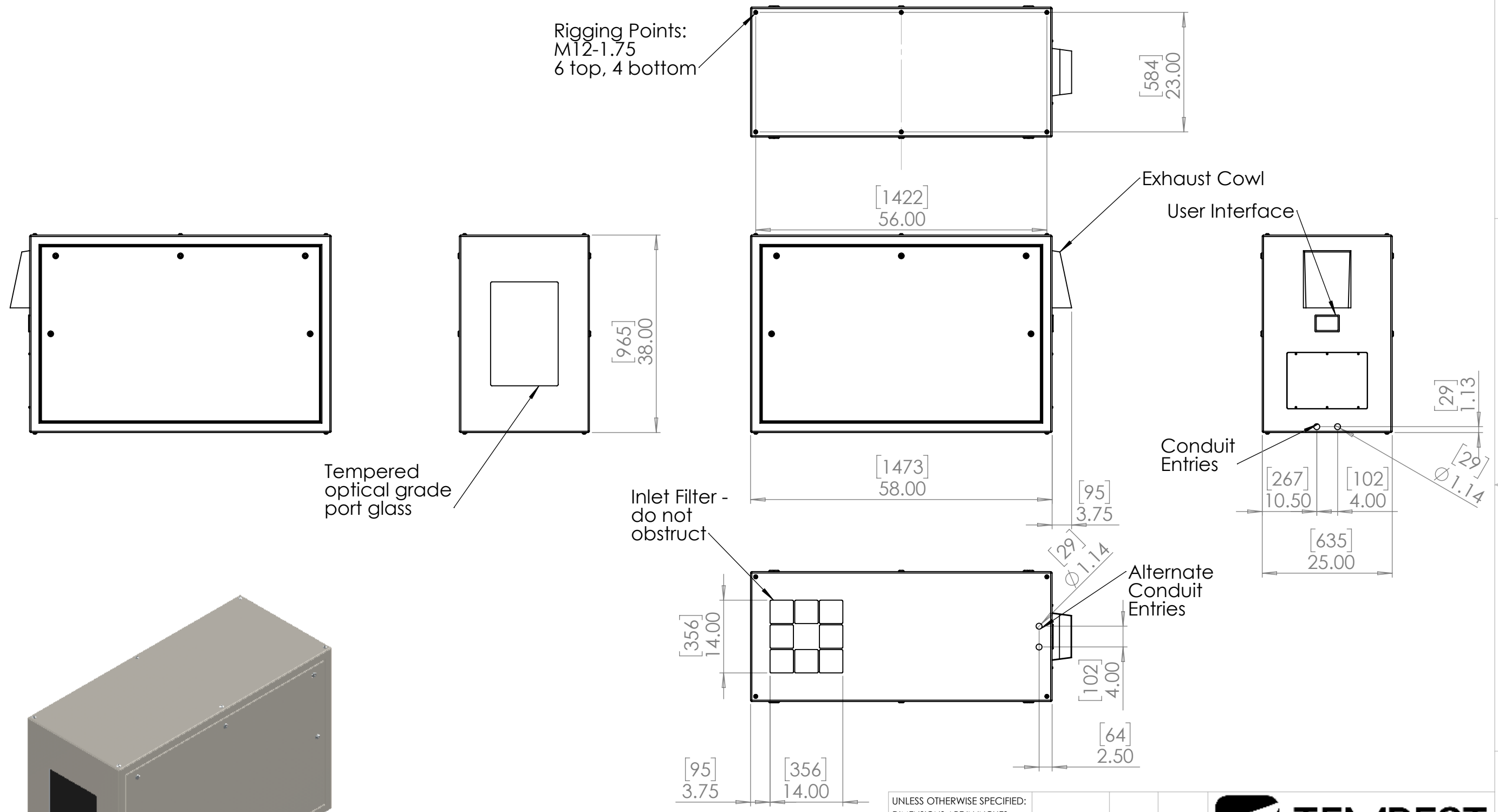


8 7 6 5 4 3 2 1

D
C
B
A

D
C
B
A



Doors open right and left side. Specify right or left projector slide when ordering.

UNLESS OTHERWISE SPECIFIED:
 DIMENSIONS ARE IN INCHES
 TOLERANCES:
 FRACTIONAL: ±
 ANGULAR: MACH ± BEND ±
 TWO PLACE DECIMAL ±
 THREE PLACE DECIMAL ±
 INTERPRET GEOMETRIC TOLERANCING PER:
 MATERIAL
 Aluminum
 FINISH
 TBD
 DO NOT SCALE DRAWING

	NAME	DATE
DRAWN	TB	12/4/2019
CHECKED		
ENG APPR.		
MFG APPR.		
Q.A.		
COMMENTS:		

TEMPEST
lighting inc.

TITLE:
Cyclone 55.314 Portrait Enclosure

SIZE B	DWG. NO. 55.314.P.xx	REV 08
SCALE: 1:20		SHEET 1 OF 1

8 7 6 5 4 3 2 1