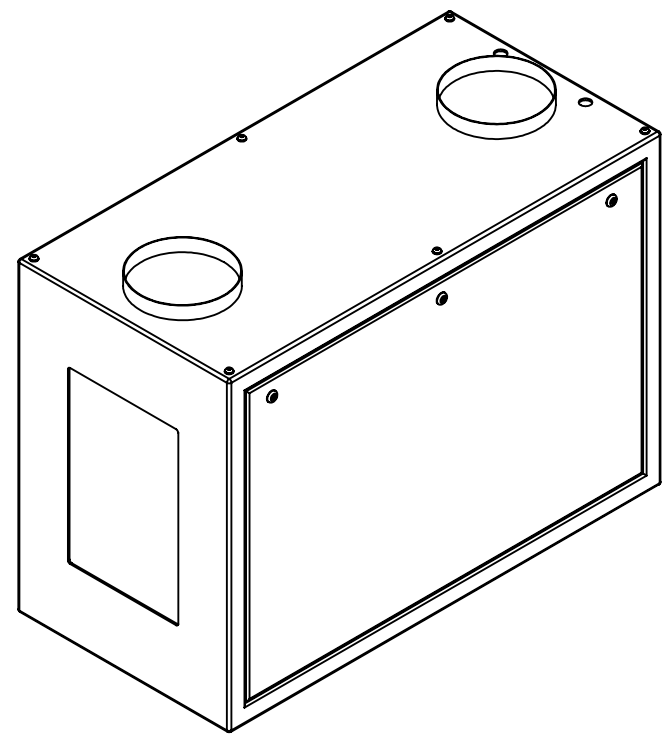


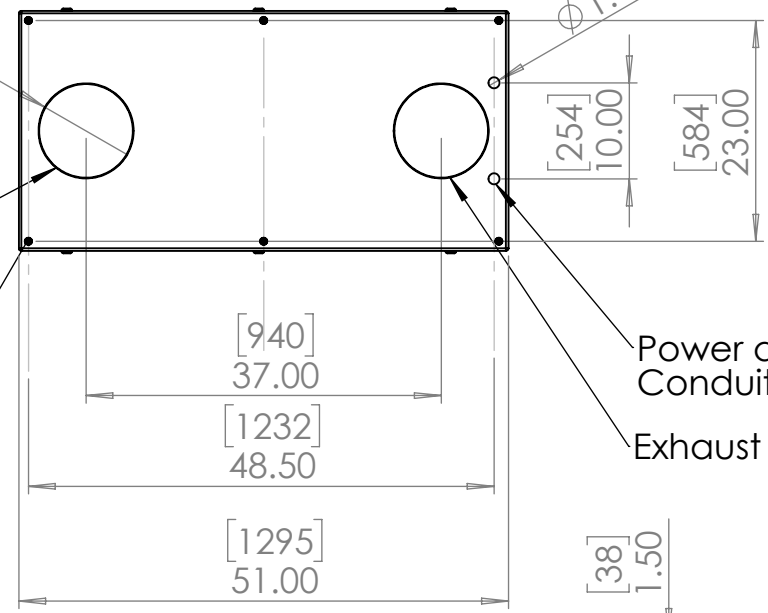
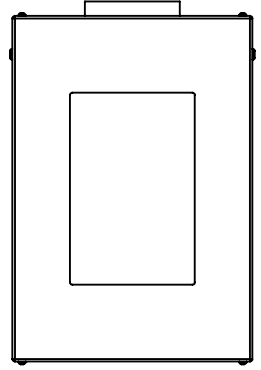
8 7 6 5 4 3 2 1

D  
C  
B  
A



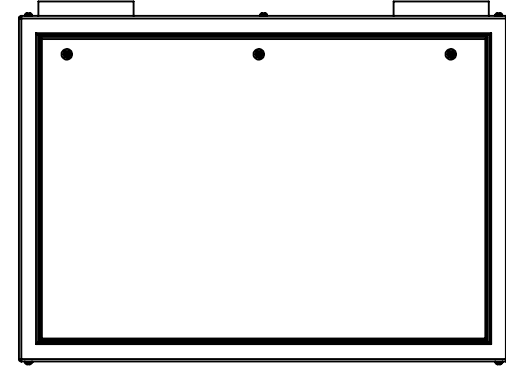
Inlet Duct Ring

Rigging Points:  
6 x M12-1.75,  
Top Surface

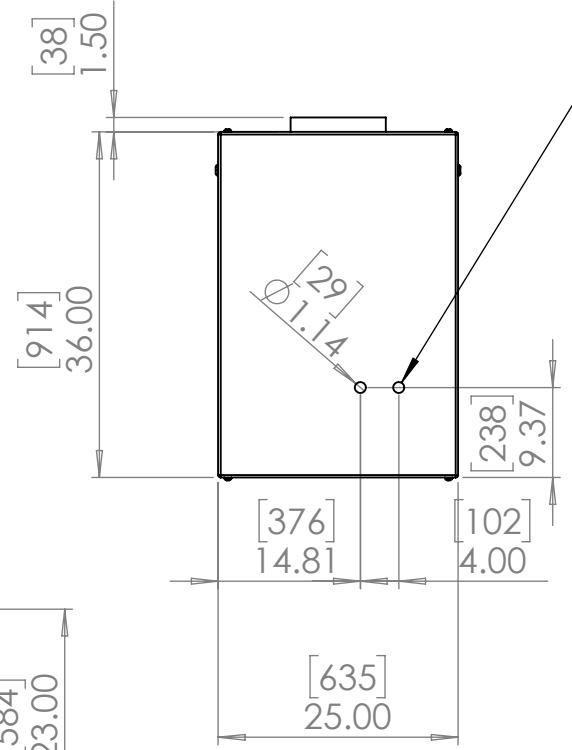
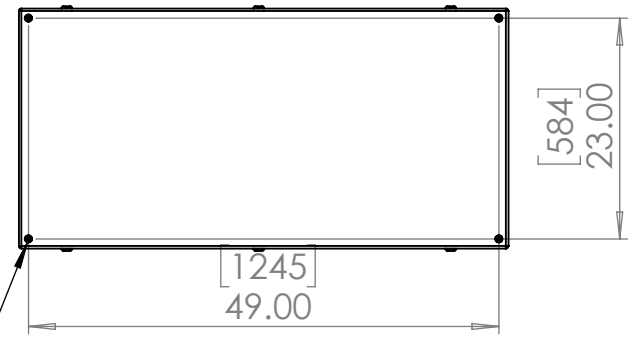


Power and Signal  
Conduit Entries

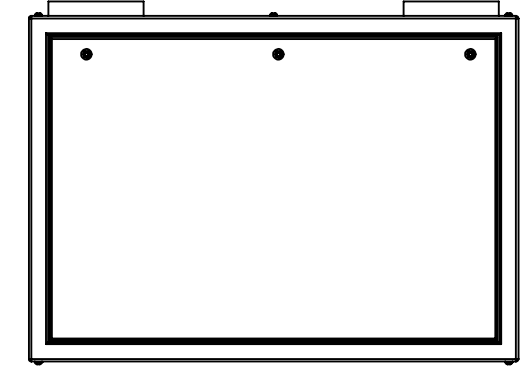
Exhaust Duct Ring



Rigging Points:  
M12-1.75, 4  
places, Bottom  
Surface



Alternate conduit Entries



UNLESS OTHERWISE SPECIFIED:  
DIMENSIONS ARE IN INCHES  
TOLERANCES:  
FRACTIONAL ±  
ANGULAR: MACH ± BEND ±  
TWO PLACE DECIMAL ±  
THREE PLACE DECIMAL ±  
INTERPRET GEOMETRIC  
TOLERANCING PER:  
MATERIAL  
Aluminum  
FINISH  
TBD  
DO NOT SCALE DRAWING

	NAME	DATE
DRAWN	TB	8/5/2019
CHECKED		
ENG APPR.		
MFG APPR.		
Q.A.		
COMMENTS:		



TITLE: Tacit 56.305 Portrait Enclosure		
SIZE <b>B</b>	DWG. NO. 56.305.P	REV 7.1
SCALE: 1:20		SHEET 1 OF 1

8 7 6 5 4 3 2 1