

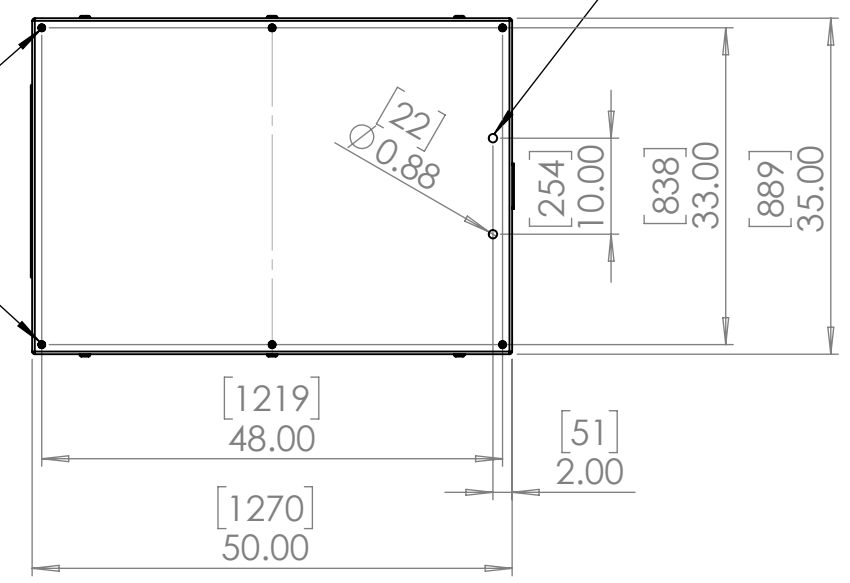
8 7 6 5 4 3 2 1

D
C
B
A

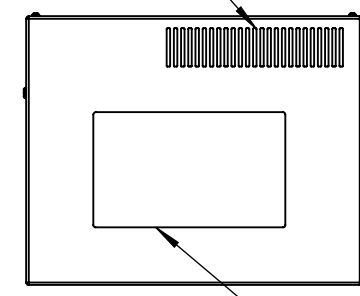
D
C
B
A

Rigging Points:
M12-1.75, 6 places,
Top Surface

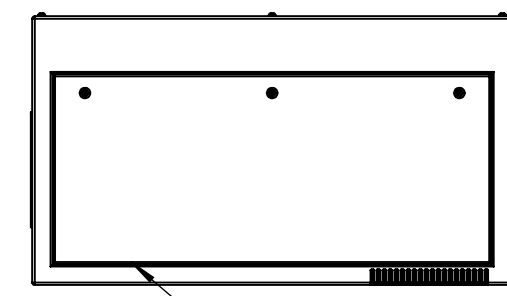
Power & Signal Conduit Entries



Exhaust Vents
(do not obstruct)

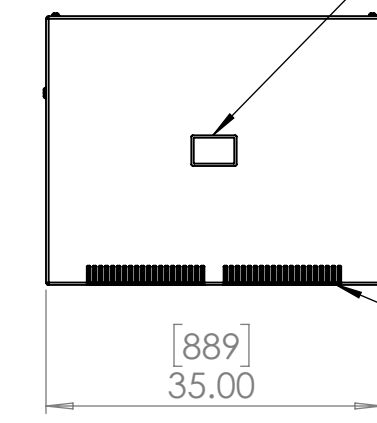


Optical Grade
Port Glass

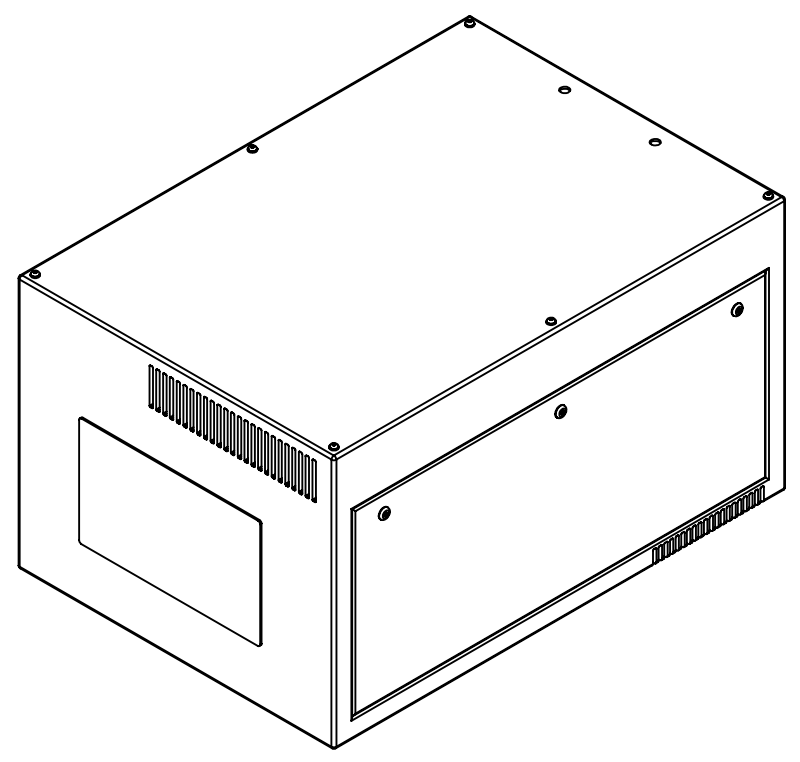
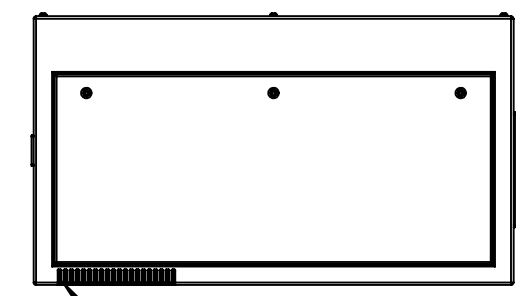


Lockable Access
Door, both sides

User Interface



Inlet Vents
(do not obstruct)



UNLESS OTHERWISE SPECIFIED:
DIMENSIONS ARE IN INCHES
TOLERANCES:
FRACTIONAL ±
ANGULAR: MACH ± BEND ±
TWO PLACE DECIMAL ±
THREE PLACE DECIMAL ±
INTERPRET GEOMETRIC
TOLERANCING PER:
MATERIAL
Aluminum
FINISH
Powder Coat RAL
9003 White
DO NOT SCALE DRAWING

	NAME	DATE
DRAWN	TB	1/15/2019
CHECKED		
ENG APPR.		
MFG APPR.		
Q.A.		
COMMENTS:		



TITLE:
Zen 210 Enclosure

SIZE	DWG. NO.	REV
B	57.210	01

SCALE: 1:20 SHEET 1 OF 1

8 7 6 5 4 3 2 1