

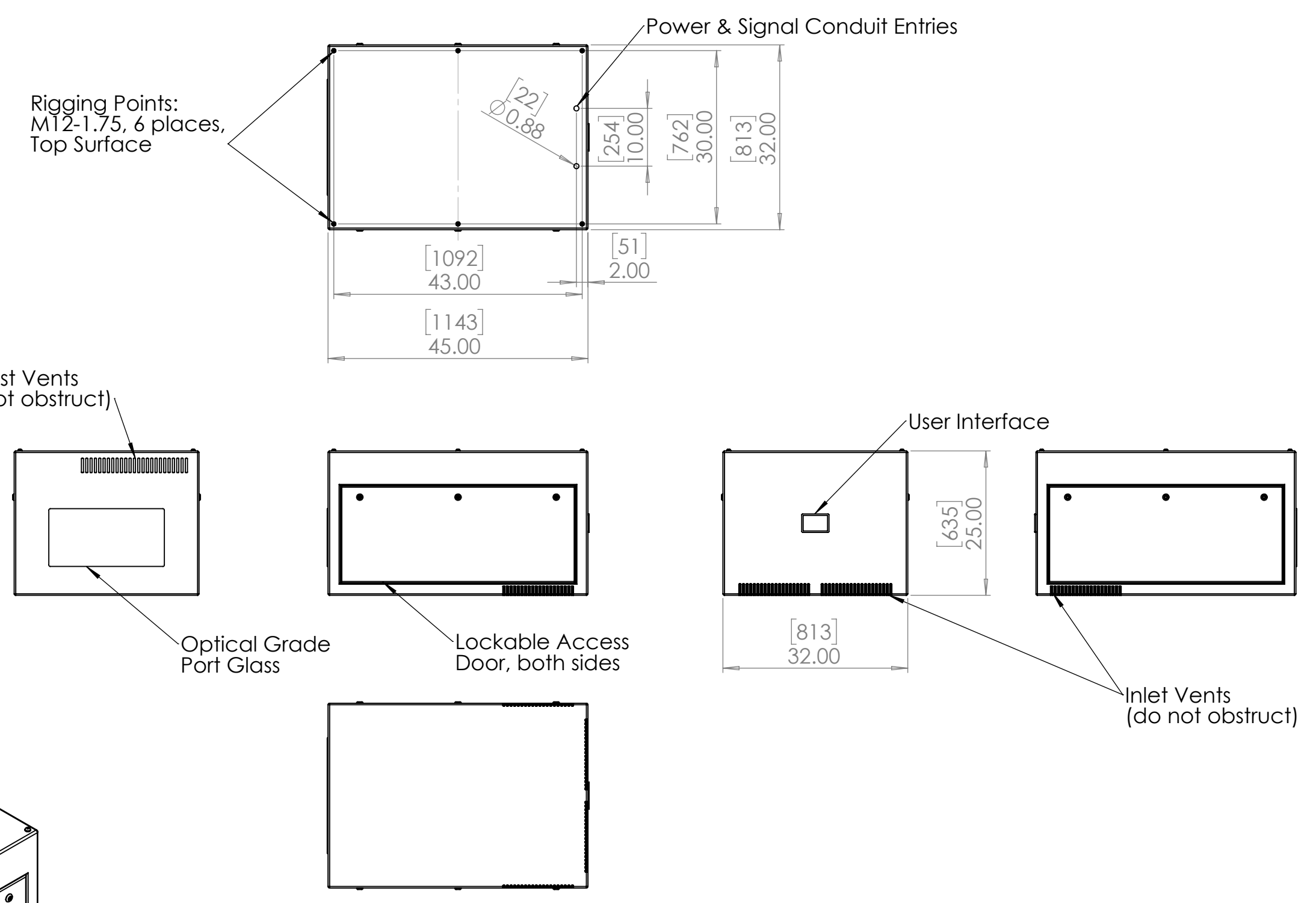
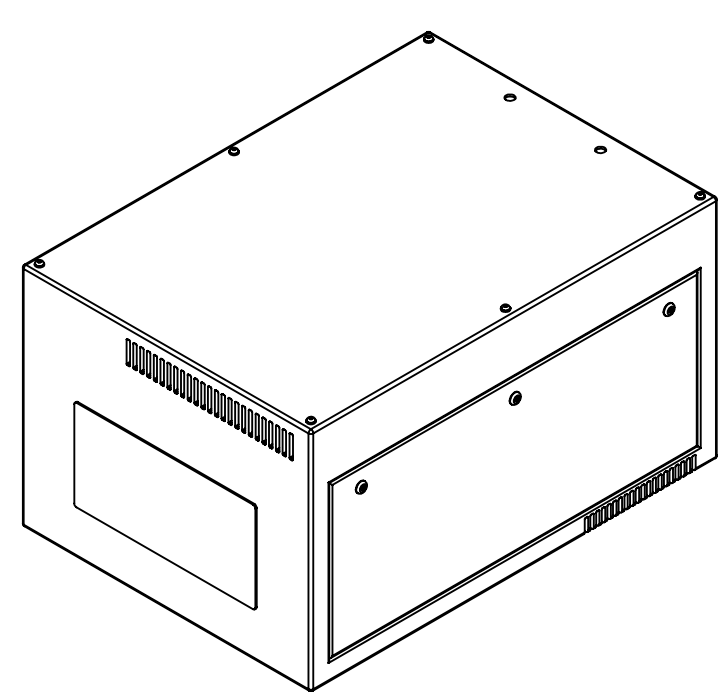
8 7 6 5 4 3 2 1

D

C


B

A



UNLESS OTHERWISE SPECIFIED:  
DIMENSIONS ARE IN INCHES  
TOLERANCES:  
FRACTIONAL ±  
ANGULAR: MACH ± BEND ±  
TWO PLACE DECIMAL ±  
THREE PLACE DECIMAL ±  
INTERPRET GEOMETRIC  
TOLERANCING PER:  
MATERIAL  
Aluminum  
FINISH  
Powder Coat RAL  
9003 White  
DO NOT SCALE DRAWING

	NAME	DATE
DRAWN	TB	1/15/2019
CHECKED		
ENG APPR.		
MFG APPR.		
Q.A.		
COMMENTS:		



**TEMPEST**  
lighting inc.

TITLE:  
**Zen 57.150 Enclosure**

SIZE <b>B</b>	DWG. NO. 57.150	REV 01
SCALE: 1:20		SHEET 1 OF 1

8 7 6 5 4 3 2 1