

Inlet Hose Adapter

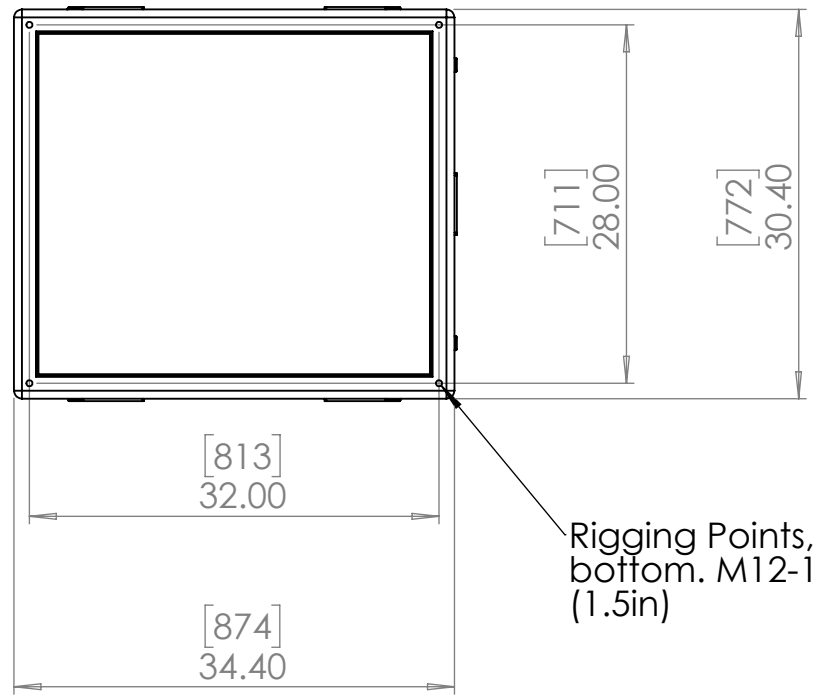
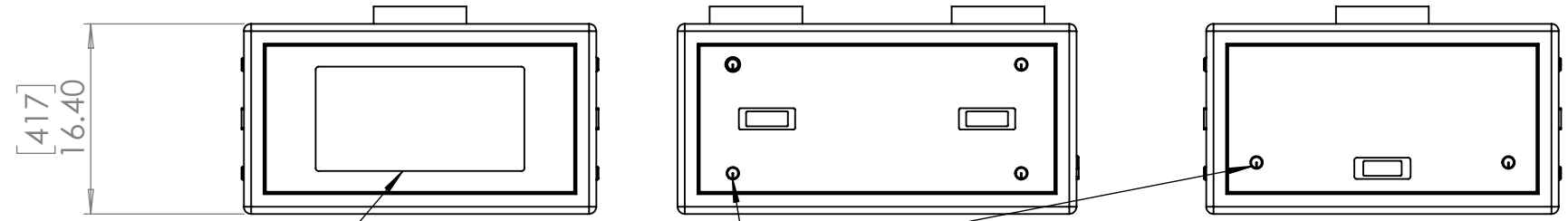
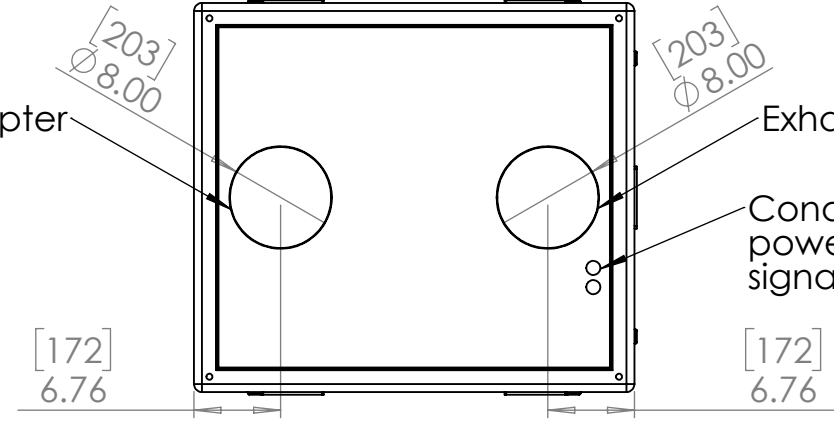
Exhaust Hose Adapter

Conduit Entries,
power and
signal

Lockable Door Latches

Port Glass -
tempered
optical glass

Rigging Points, top and
bottom. M12-1.75 x 38
(1.5in)



UNLESS OTHERWISE SPECIFIED:
DIMENSIONS ARE IN INCHES
TOLERANCES:
FRACTIONAL: ±
ANGULAR: MACH ± BEND ±
TWO PLACE DECIMAL ±
THREE PLACE DECIMAL ±
INTERPRET GEOMETRIC
TOLERANCING PER:
MATERIAL
FINISH
DO NOT SCALE DRAWING

	NAME	DATE
DRAWN	TB	9/19/2016
CHECKED		
ENG APPR.		
MFG APPR.		
Q.A.		
COMMENTS:		



TITLE:
Whispr G4 53.050 Landscape
Projector Enclosure

SIZE	DWG. NO.	REV
B	53.100.L.xx	03

SCALE: 1:10 SHEET 1 OF 1