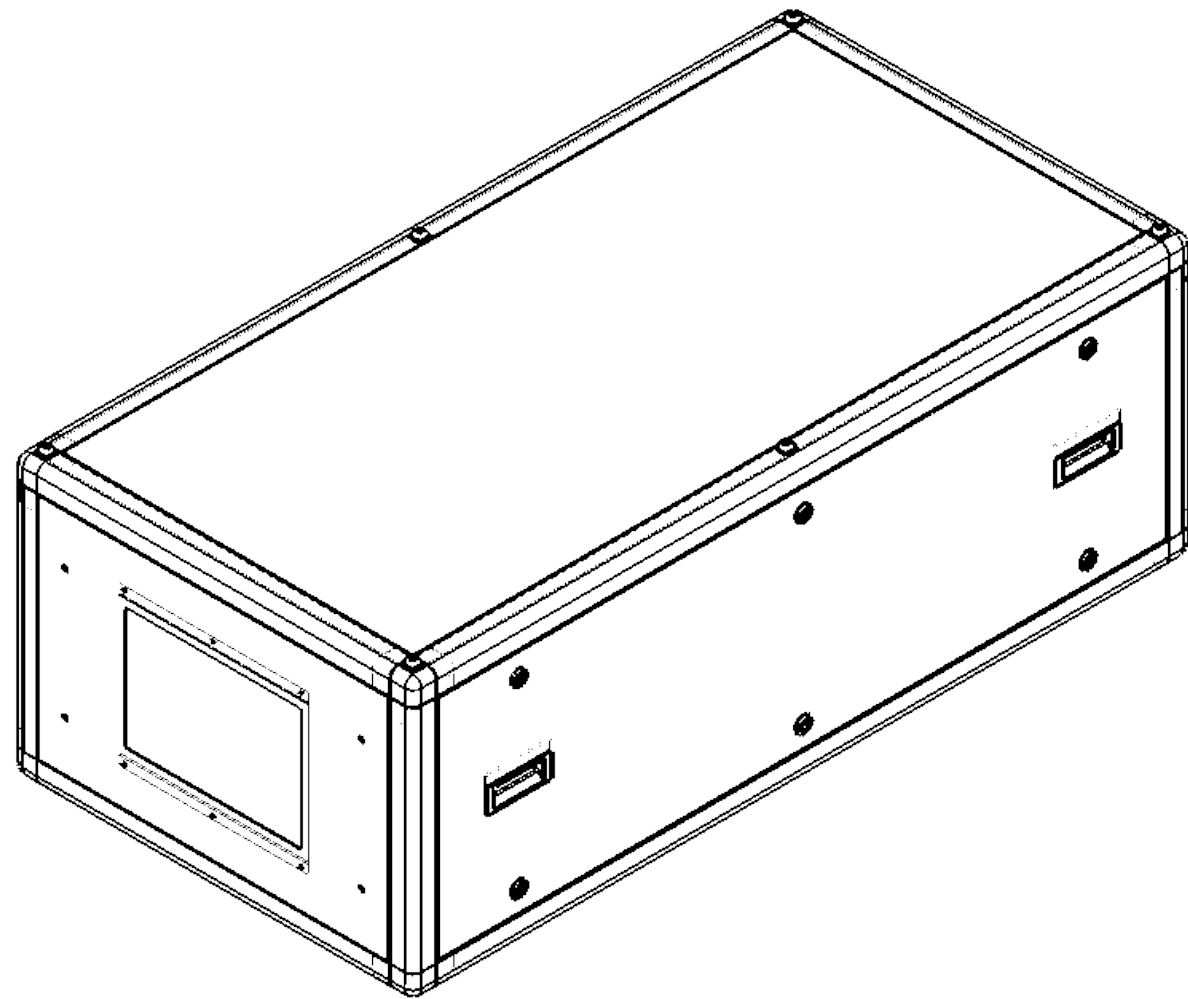


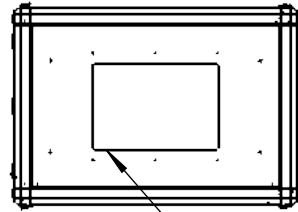
8 7 6 5 4 3 2 1

D  
C  
B  
A

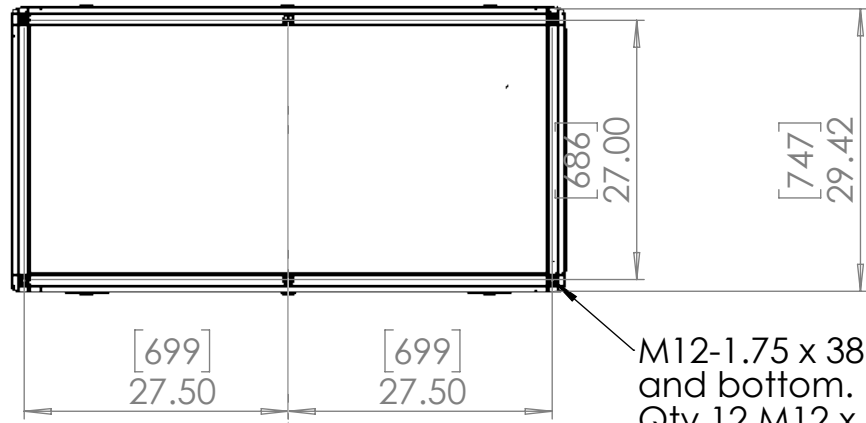
D  
C  
B  
A



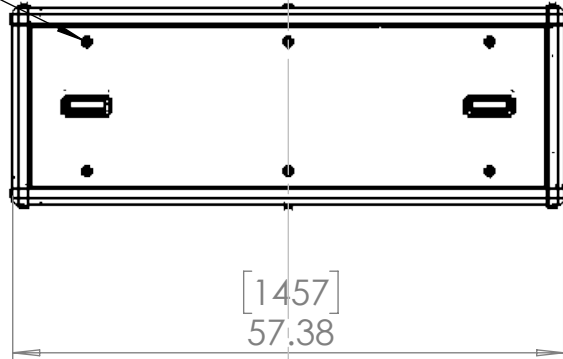
Removable side panels with 8mm quarter turn hex latches



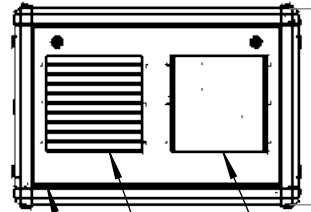
Tempered low-iron optical quality port glass



M12-1.75 x 38 (x 6) rigging points top and bottom.  
Qty 12 M12 x 40 stainless steel cap screws included.



[1457]  
57.38

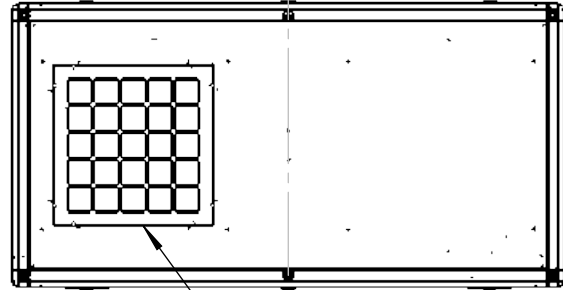


[519]  
20.42

Connector panel/cover (may be turned 90 degrees for portrait operation)

Fan louver (may be turned 90 degrees for portrait operation)


Hinged back door for lamp access



Filter access from below or inside

UNLESS OTHERWISE SPECIFIED:  
DIMENSIONS ARE IN INCHES  
TOLERANCES:  
FRACTIONAL ±  
ANGULAR: MACH ± BEND ±  
TWO PLACE DECIMAL ±  
THREE PLACE DECIMAL ±  
INTERPRET GEOMETRIC TOLERANCING PER:  
MATERIAL  
--  
FINISH  
--  
DO NOT SCALE DRAWING

	NAME	DATE
DRAWN	TB	5/6/2016
CHECKED		
ENG APPR.		
MFG APPR.		
Q.A.		
COMMENTS:		



**TEMPEST**  
lighting inc.

TITLE:  
**Typhoon G4 300 Rental & Staging Enclosure**

SIZE	DWG. NO.	REV
<b>B</b>	<b>54.300</b>	<b>01</b>

SCALE: 1:20 SHEET 1 OF 1

8 7 6 5 4 3 2 1