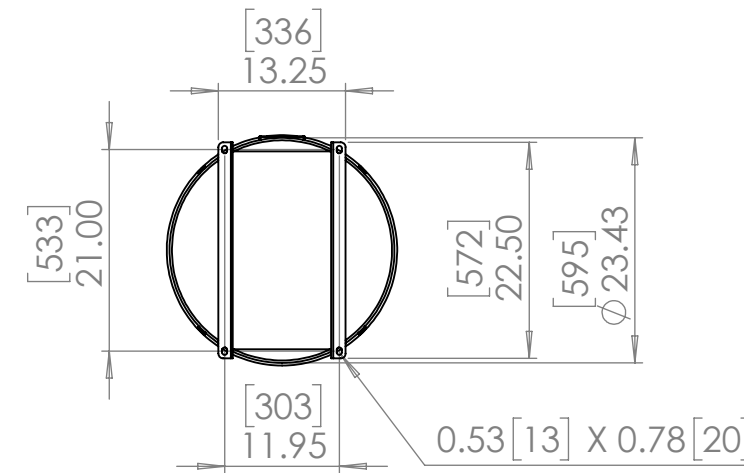
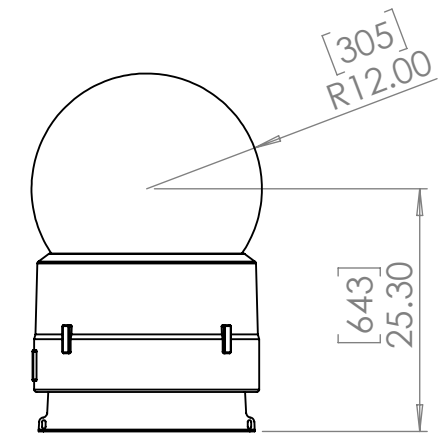
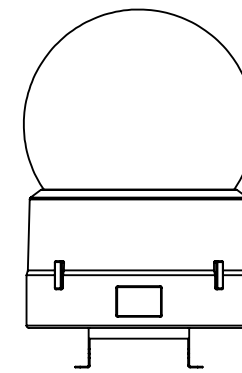
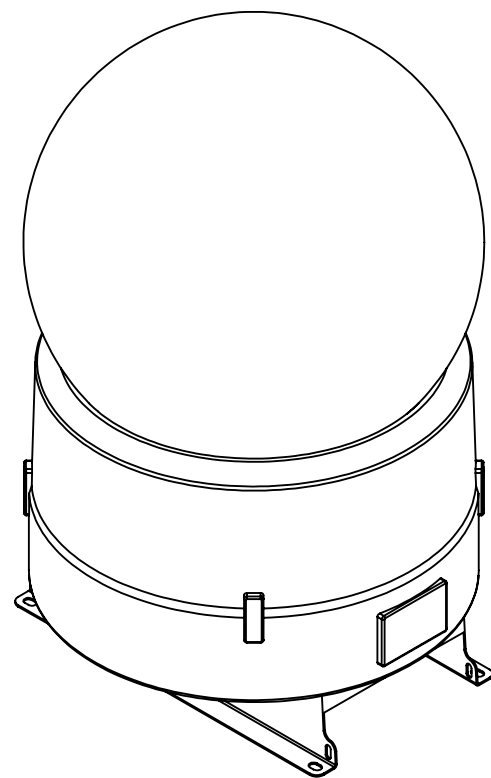


8 7 6 5 4 3 2 1


D
C
B
A

D
C
B
A



UNLESS OTHERWISE SPECIFIED:
 DIMENSIONS ARE IN INCHES
 TOLERANCES:
 FRACTIONAL ±
 ANGULAR: MACH ± BEND ±
 TWO PLACE DECIMAL ±
 THREE PLACE DECIMAL ±
 INTERPRET GEOMETRIC
 TOLERANCING PER:
 MATERIAL
 FINISH
 DO NOT SCALE DRAWING

| | | |
|-----------|------|----------|
| | NAME | DATE |
| DRAWN | TB | 5/4/2017 |
| CHECKED | | |
| ENG APPR. | | |
| MFG APPR. | | |
| Q.A. | | |
| COMMENTS: | | |



TEMPEST
lighting inc.

TITLE:
Tornado G4 1900, Globe Up

| | | |
|----------|----------|-----|
| SIZE | DWG. NO. | REV |
| B | 1900.xxG | 01 |

SCALE: 1:20 SHEET 1 OF 1

8 7 6 5 4 3 2 1