

**IMPORTANT:**

For Remote Fan Assembly information, see drawing # 51.RFA.10

D

C

B

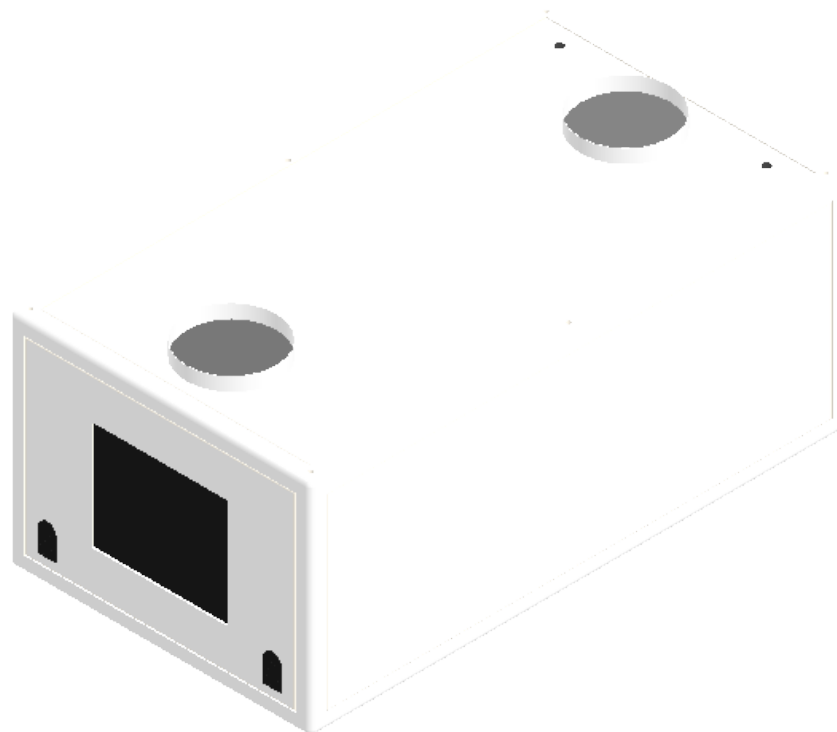
A

D

C

B

A



Air Inlet Duct Adapter/Filter

Exhaust Duct Adapter

[254]  
Ø 10.00

[254]  
Ø 10.00

[581] 22.88  
[787] 31.00

Power and Signal Conduit Entries, EU PG21, US 3/4"

Rigging Points:  
6 x M12-1.75 x 38 threaded holes

[1107] 43.58

[96] 3.76

Optical Grade Tempered Port Glass

DEC4 User Interface

Lockable Door Latches front and back

[620] 24.40


[38] 1.50

[848] 33.40

[1509] 59.40

UNLESS OTHERWISE SPECIFIED:  
DIMENSIONS ARE IN INCHES  
TOLERANCES:  
FRACTIONAL ±  
ANGULAR: MACH ± BEND ±  
TWO PLACE DECIMAL ±  
THREE PLACE DECIMAL ±  
INTERPRET GEOMETRIC TOLERANCING PER:  
MATERIAL  
Aluminum & SS  
FINISH  
RAL 9003 White  
DO NOT SCALE DRAWING

|           | NAME | DATE       |
|-----------|------|------------|
| DRAWN     | TB   | 12/10/2016 |
| CHECKED   |      |            |
| ENG APPR. |      |            |
| MFG APPR. |      |            |
| Q.A.      |      |            |
| COMMENTS: |      |            |



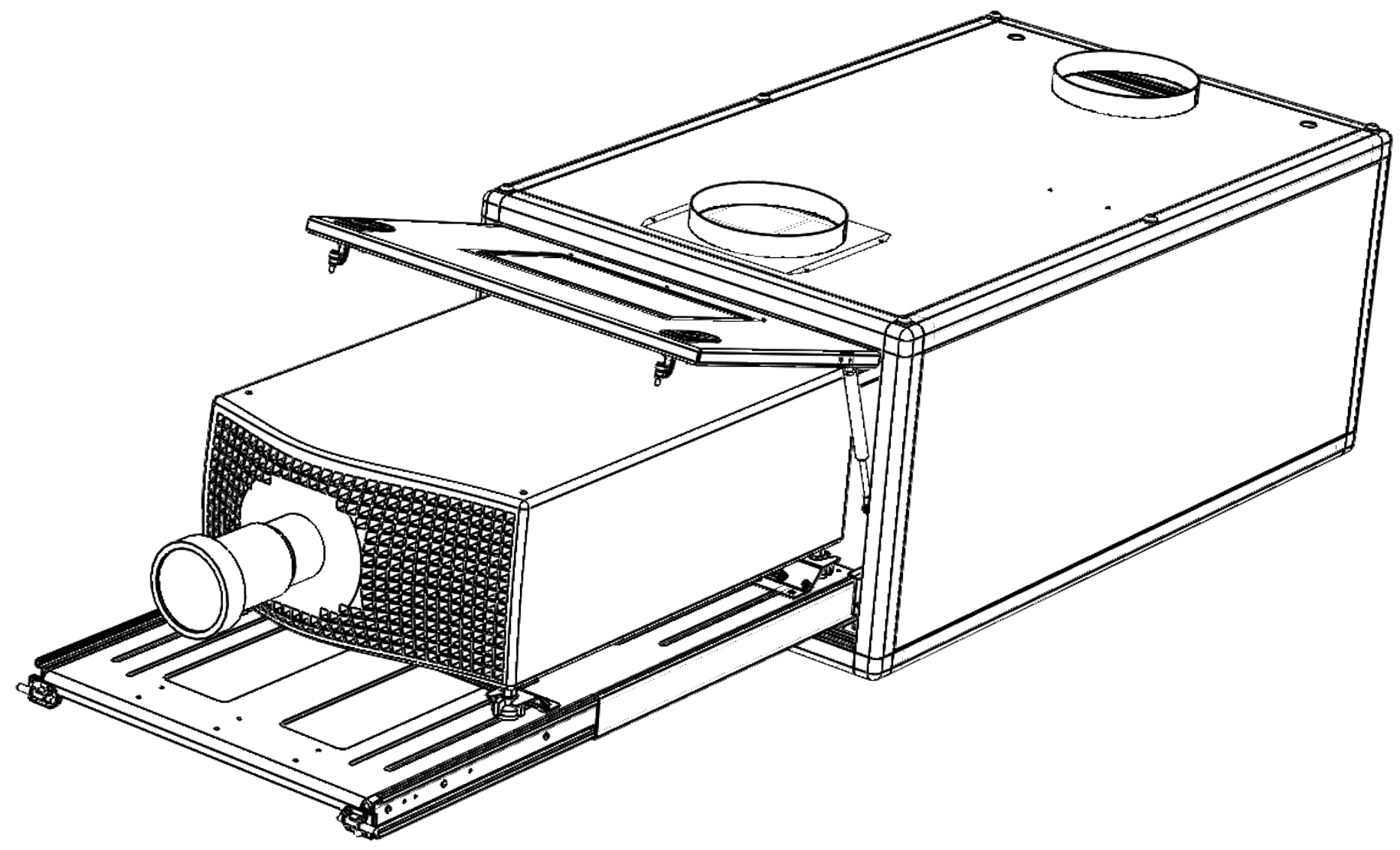
**TEMPEST**  
lighting inc.

TITLE:  
**Tacit G4 for Christie Boxer**

|                  |                                |                  |
|------------------|--------------------------------|------------------|
| SIZE<br><b>B</b> | DWG. NO.<br><b>56.300.L.xx</b> | REV<br><b>02</b> |
| SCALE: 1:20      |                                | SHEET 1 OF 2     |

8 7 6 5 4 3 2 1

D  
C  
B  
A



UNLESS OTHERWISE SPECIFIED:  
 DIMENSIONS ARE IN INCHES  
 TOLERANCES:  
 FRACTIONAL ±  
 FRACTIONAL ±  
 ANGULAR: MACH ± BEND ±  
 TWO PLACE DECIMAL ±  
 THREE PLACE DECIMAL ±  
 INTERPRET GEOMETRIC  
 TOLERANCING PER:  
 MATERIAL  
 FINISH  
 DO NOT SCALE DRAWING

|           | NAME | DATE       |
|-----------|------|------------|
| DRAWN     | TB   | 12/10/2016 |
| CHECKED   |      |            |
| ENG APPR. |      |            |
| MFG APPR. |      |            |
| Q.A.      |      |            |
| COMMENTS: |      |            |



|   |                       |              |
|---|-----------------------|--------------|
| TITLE:<br>Tacit Enclosure for<br>Christie Boxer |                       |              |
| SIZE<br><b>B</b>                                | DWG. NO.<br>56.300.xx | REV<br>02    |
| SCALE: 1:20                                     |                       | SHEET 2 OF 2 |

8 7 6 5 4 3 2 1