

IMPORTANT:

For Remote Fan Assembly information, see drawing # 51.RFA.10

Air Inlet Duct Adapter/Filter

Exhaust Duct Adapter

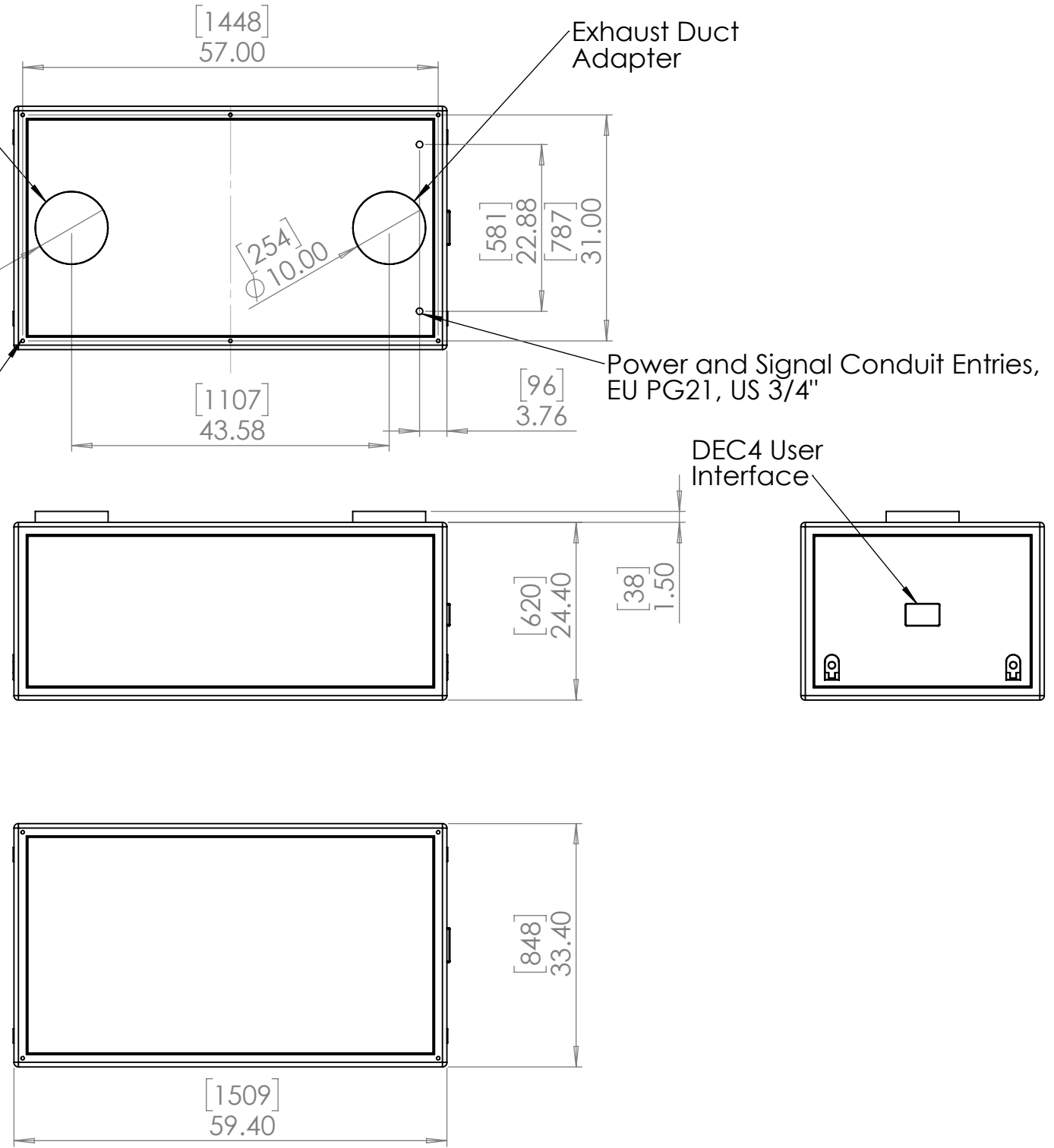
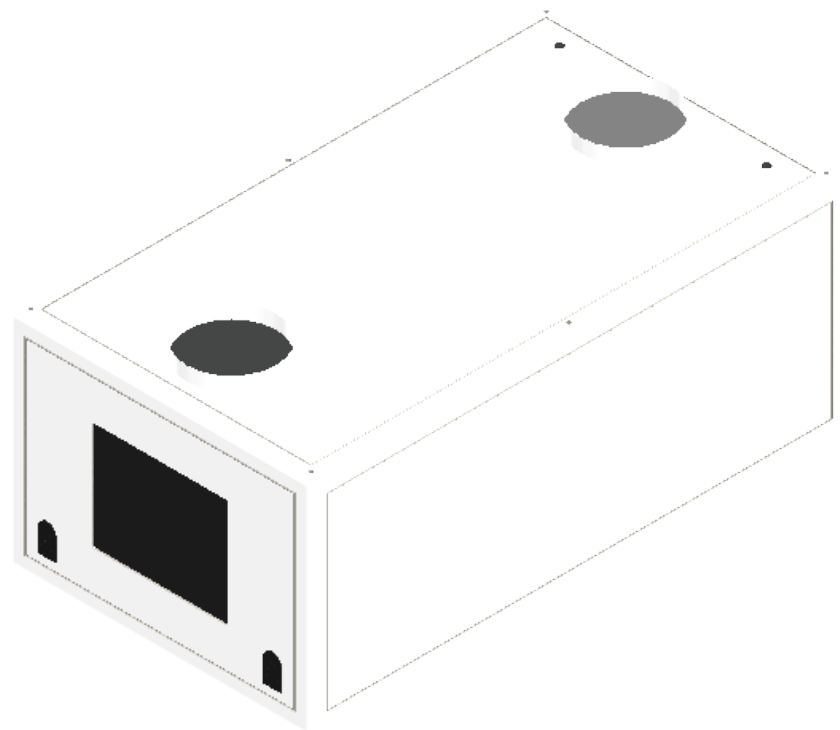
Rigging Points:
6 x M12-1.75 x 38 threaded holes

Optical Grade Tempered Port Glass

Lockable Door Latches front and back


Power and Signal Conduit Entries, EU PG21, US 3/4"

DEC4 User Interface



UNLESS OTHERWISE SPECIFIED:
DIMENSIONS ARE IN INCHES
TOLERANCES:
FRACTIONAL ±
ANGULAR: MACH ± BEND ±
TWO PLACE DECIMAL ±
THREE PLACE DECIMAL ±
INTERPRET GEOMETRIC TOLERANCING PER:
MATERIAL
Aluminum & SS
FINISH
RAL 9003 White
DO NOT SCALE DRAWING

	NAME	DATE
DRAWN	TB	12/10/2016
CHECKED		
ENG APPR.		
MFG APPR.		
Q.A.		
COMMENTS:		



TEMPEST
lighting inc.

TITLE:
Tacit G4 for Christie Boxer

SIZE B	DWG. NO. 56.300.L.xx	REV 02
------------------	--------------------------------	------------------

SCALE: 1:20 SHEET 1 OF 1