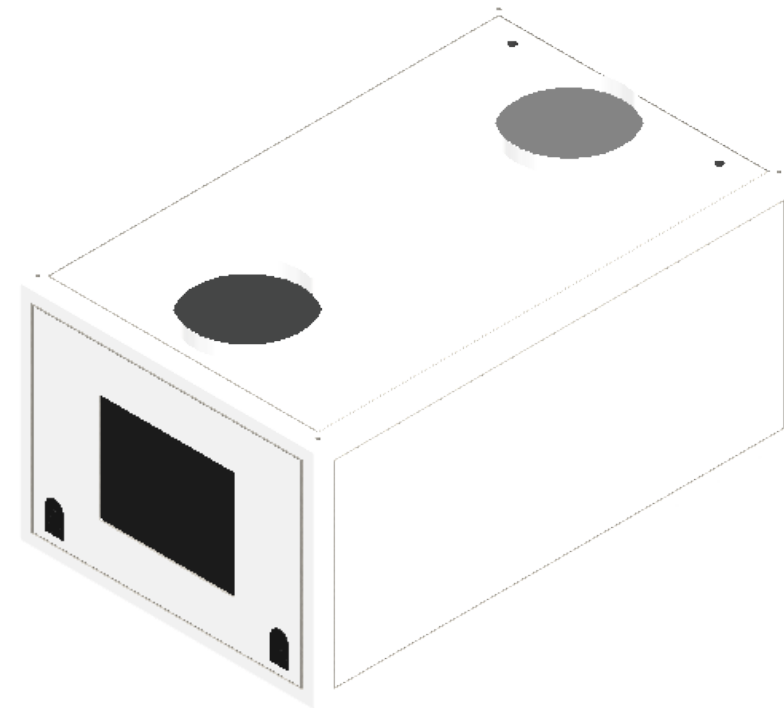


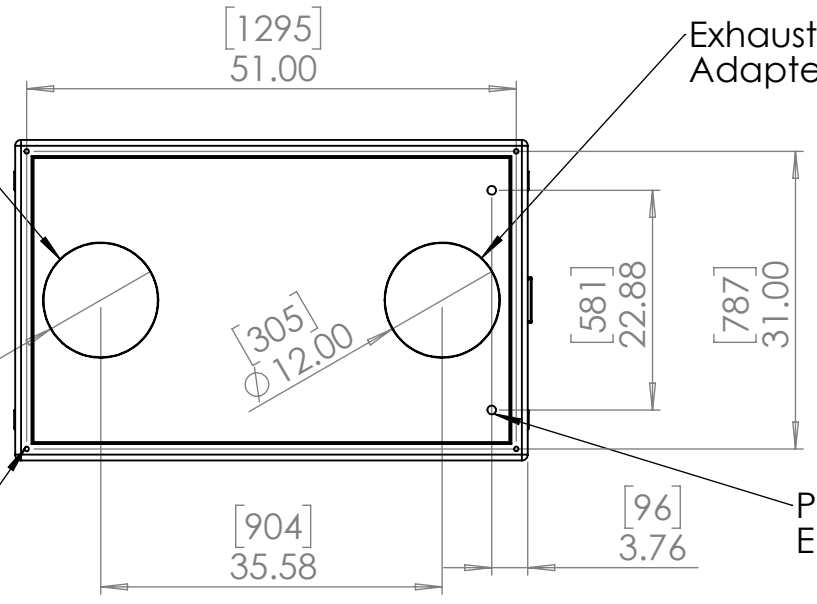
IMPORTANT:

For Remote Fan Assembly information, see drawing # 51.RFA.10



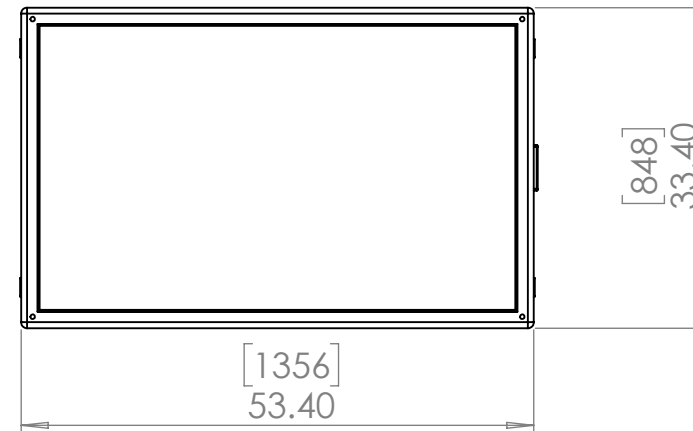
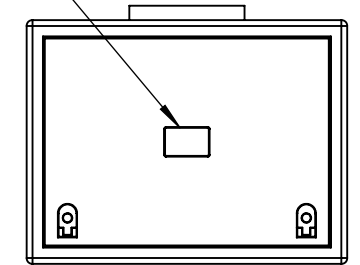
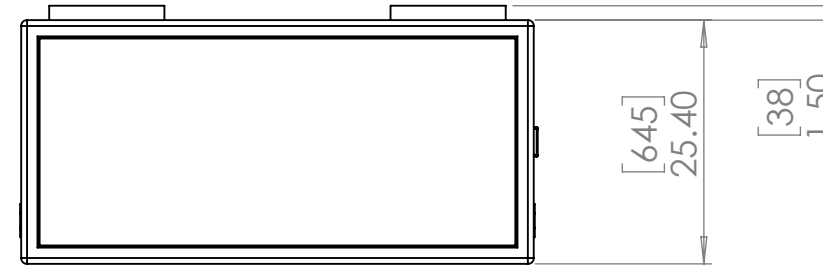
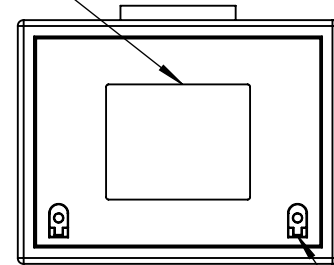
Air Inlet Duct Adapter/Filter

Exhaust Duct Adapter



Optical Grade Tempered Port Glass

DEC4 User Interface



UNLESS OTHERWISE SPECIFIED:
 DIMENSIONS ARE IN INCHES
 TOLERANCES:
 FRACTIONAL \pm
 ANGULAR: MACH \pm BEND \pm
 TWO PLACE DECIMAL \pm
 THREE PLACE DECIMAL \pm
 INTERPRET GEOMETRIC TOLERANCING PER:
 MATERIAL
 Aluminum & SS
 FINISH
 RAL 9003 White
 DO NOT SCALE DRAWING

	NAME	DATE
DRAWN	TB	12/10/2016
CHECKED		
ENG APPR.		
MFG APPR.		
Q.A.		
COMMENTS:		



TITLE:
 Tacit G4 for Christie J-Series Roadster

SIZE	DWG. NO.	REV
B	56.240.L.xx	02

SCALE: 1:20 SHEET 1 OF 1