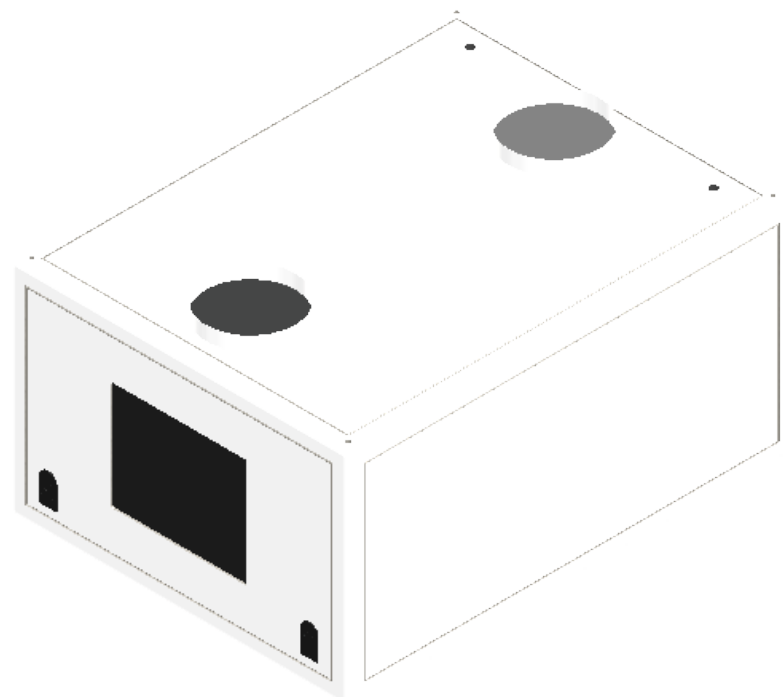


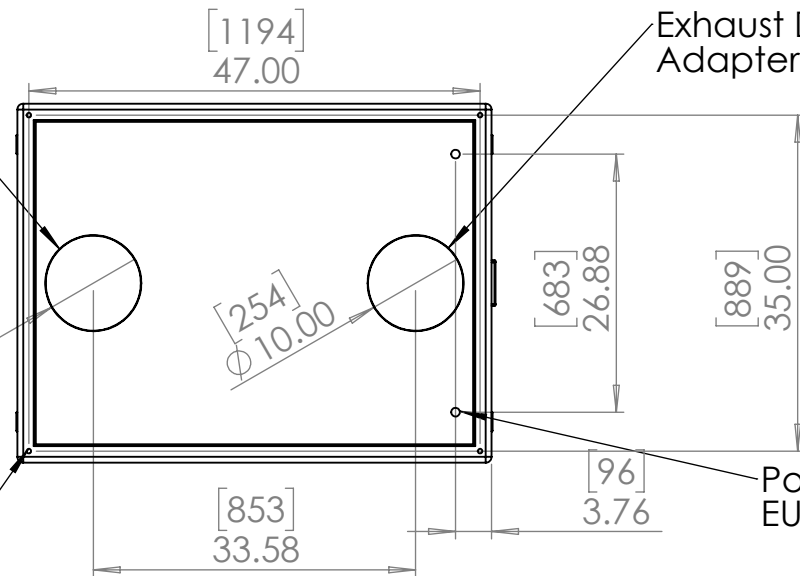
**IMPORTANT:**

For Remote Fan Assembly information, see drawing # 51.RFA.10



Air Inlet Duct Adapter/Filter

Exhaust Duct Adapter

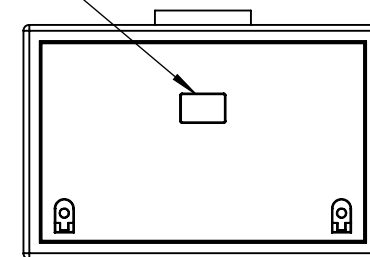
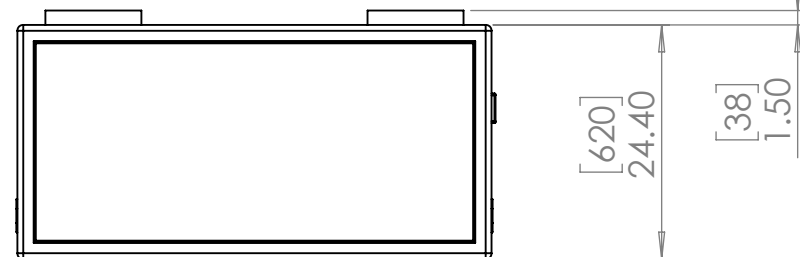
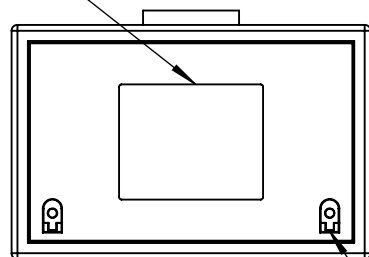


Power and Signal Conduit Entries, EU PG21, US 3/4"

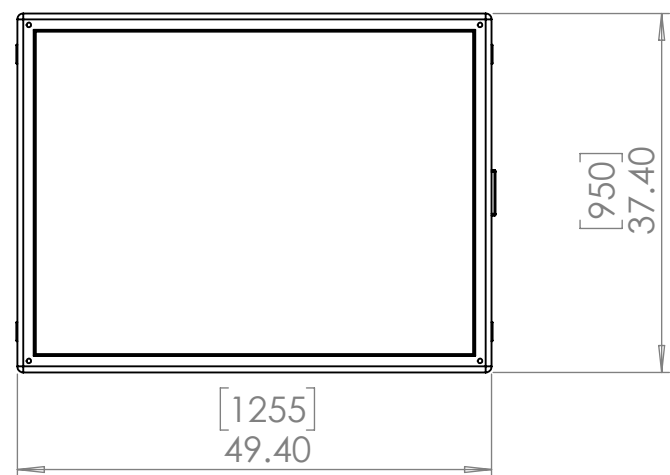
Optical Grade Tempered Port Glass

Rigging Points: 4 x M12-1.75 x 38 threaded holes

DEC4 User Interface



Lockable Door Latches front and back



UNLESS OTHERWISE SPECIFIED:

DIMENSIONS ARE IN INCHES  
 TOLERANCES:  
 FRACTIONAL ±  
 ANGULAR: MACH ± BEND ±  
 TWO PLACE DECIMAL ±  
 THREE PLACE DECIMAL ±  
 INTERPRET GEOMETRIC TOLERANCING PER:

MATERIAL  
 Aluminum & SS

FINISH  
 RAL 9003 White

DO NOT SCALE DRAWING

	NAME	DATE
DRAWN	TB	12/10/2016
CHECKED		
ENG APPR.		
MFG APPR.		
Q.A.		
COMMENTS:		



TITLE:  
 Tacit G4 for Christie Solaria 1+

SIZE DWG. NO. REV  
**B** 56.230.L.xx 02

SCALE: 1:20 SHEET 1 OF 1