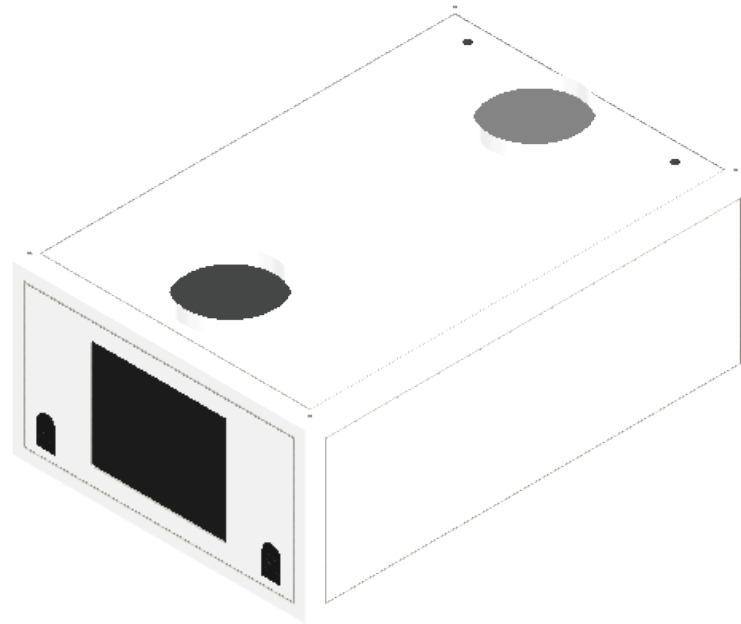


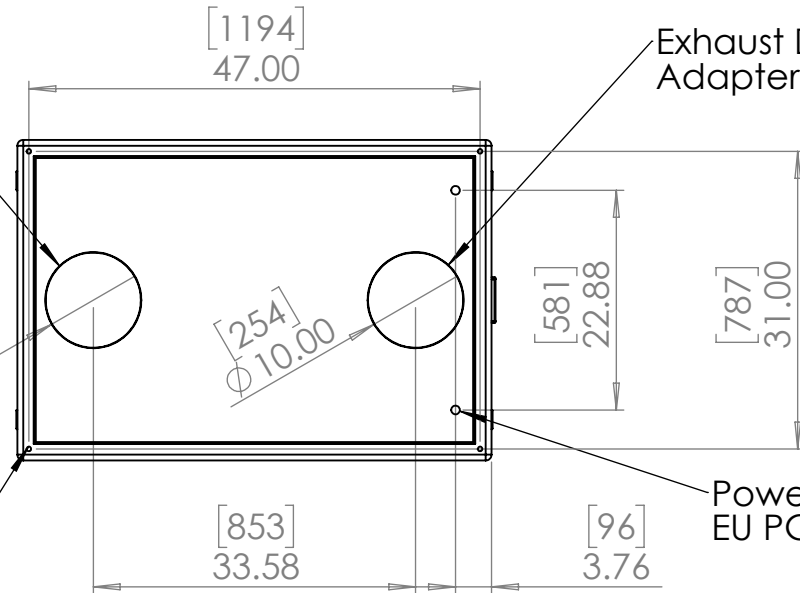
IMPORTANT:

For Remote Fan Assembly information, see drawing # 51.RFA.10



Air Inlet Duct Adapter/Filter

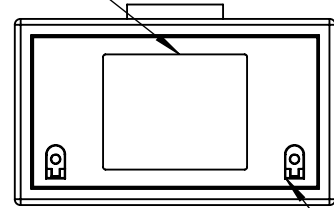
Exhaust Duct Adapter



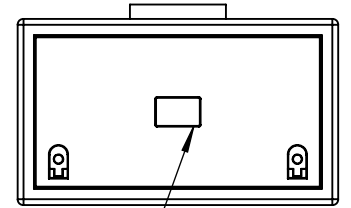
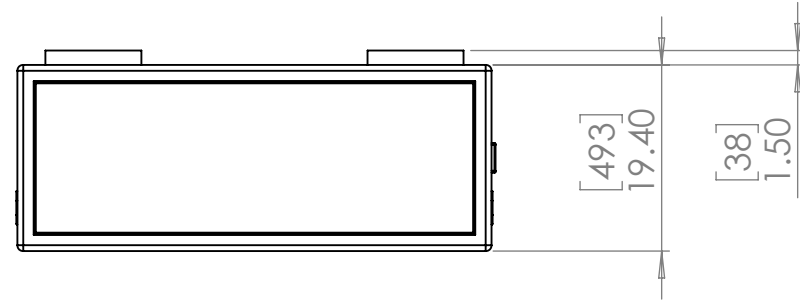
Power and Signal Conduit Entries, EU PG21, US 3/4"

Rigging Points: 4 x M12-1.75 x 38 threaded holes

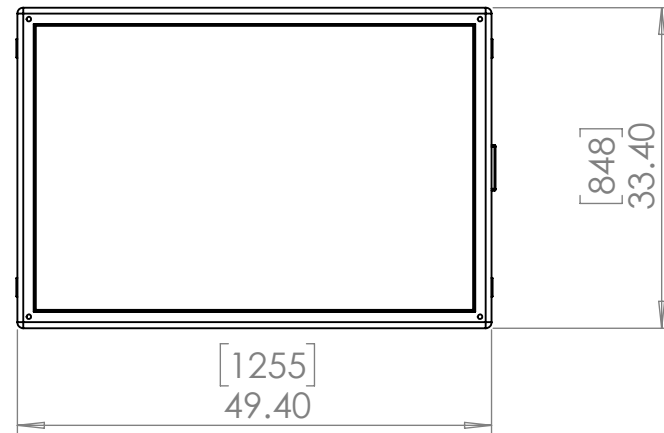
Optical Grade Tempered Port Glass



Lockable Door Latches front and back



DEC4 User Interface



UNLESS OTHERWISE SPECIFIED:
 DIMENSIONS ARE IN INCHES
 TOLERANCES:
 FRACTIONAL ±
 ANGULAR: MACH ± BEND ±
 TWO PLACE DECIMAL ±
 THREE PLACE DECIMAL ±
 INTERPRET GEOMETRIC TOLERANCING PER:
 MATERIAL
 Aluminum & SS
 FINISH
 RAL 9003 White
 DO NOT SCALE DRAWING

	NAME	DATE
DRAWN	TB	12/10/2016
CHECKED		
ENG APPR.		
MFG APPR.		
Q.A.		
COMMENTS:		



TITLE:
 Tacit G4 210 for DPI Titan Quad

SIZE DWG. NO. REV
B 56.210.L.xx 02

SCALE: 1:20 SHEET 1 OF 1