

For Remote Fan Assembly,
see drawing # 51.RFA.10

Inlet Duct Ring

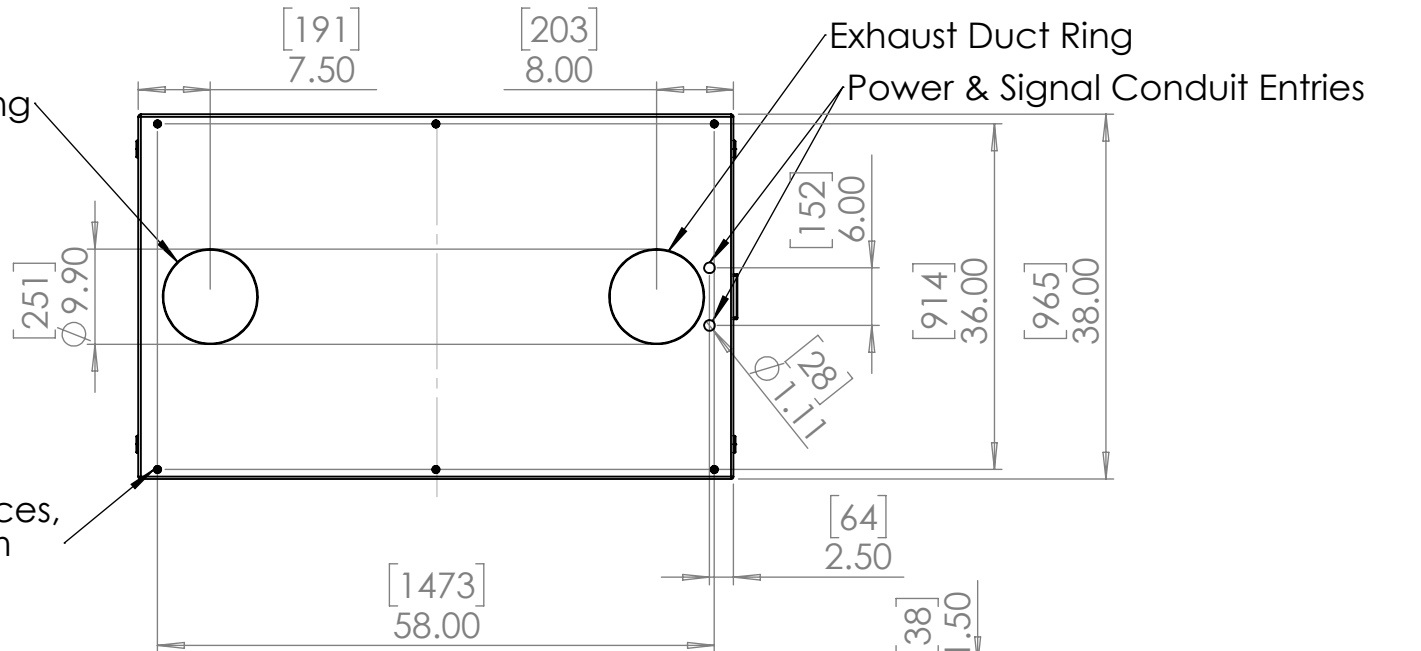
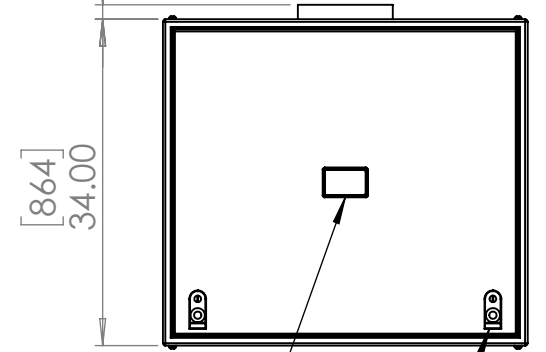
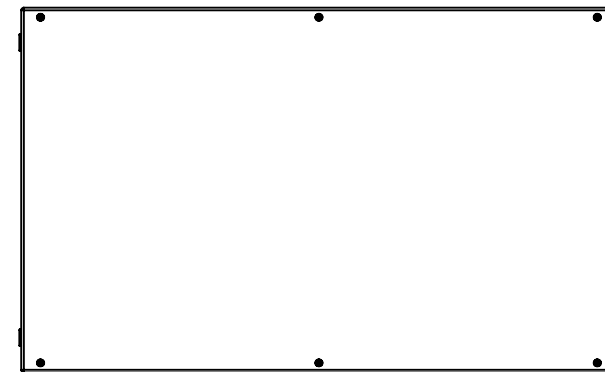
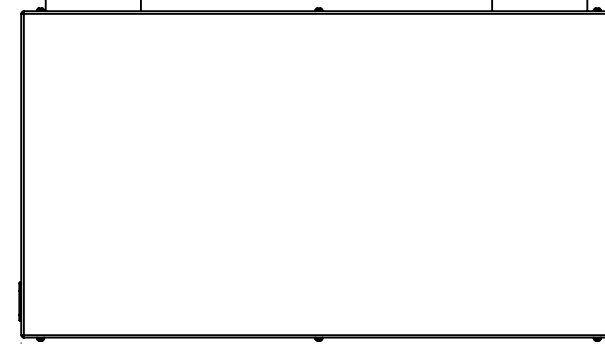
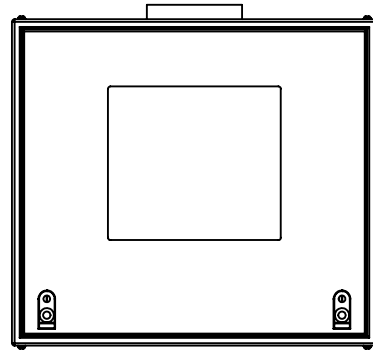
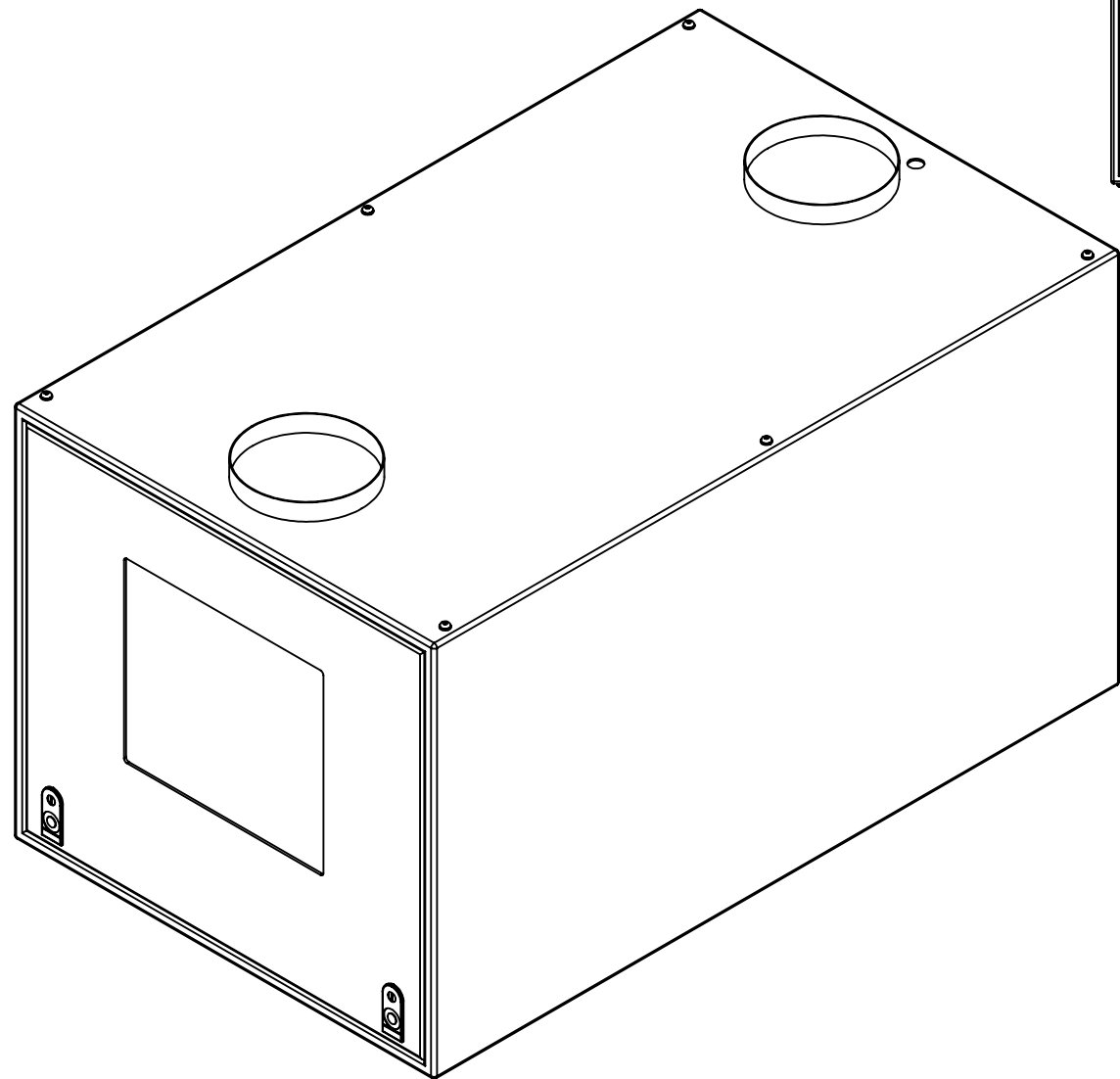
Exhaust Duct Ring

Power & Signal Conduit Entries

Rigging Points:
M12-1.75, 6 places,
top and bottom

User Interface

Lockable Latches
front and back



UNLESS OTHERWISE SPECIFIED:
DIMENSIONS ARE IN INCHES
TOLERANCES:
FRACTIONAL \pm
ANGULAR: MACH \pm BEND \pm
TWO PLACE DECIMAL \pm
THREE PLACE DECIMAL \pm
INTERPRET GEOMETRIC
TOLERANCING PER:
MATERIAL
FINISH
DO NOT SCALE DRAWING

	NAME	DATE
DRAWN	TB	5/3/2018
CHECKED		
ENG APPR.		
MFG APPR.		
Q.A.		
COMMENTS:		

TEMPEST
lighting inc.

TITLE:
Tacit 56.324 Landscape Enclosure

SIZE	DWG. NO.	REV
B	56.324.L.xx	6.4

SCALE: 1:10 SHEET 1 OF 1