

For Remote Fan Assembly,
see drawing # 51.RFA.10

Inlet Duct Ring

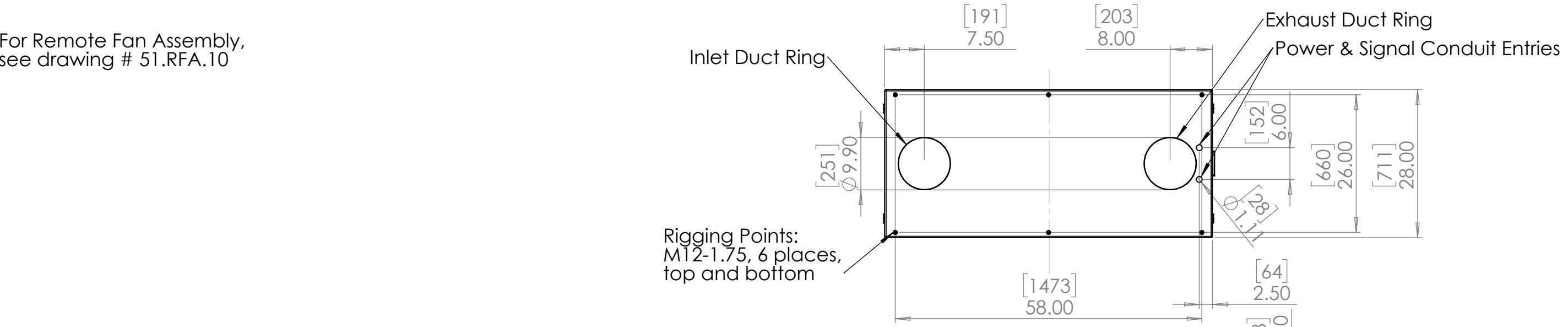
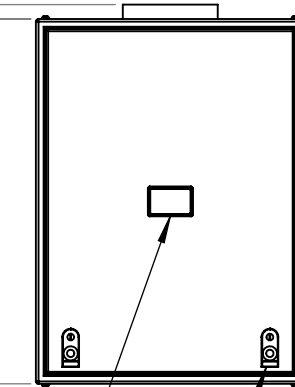
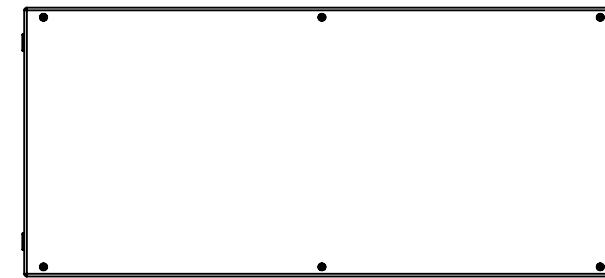
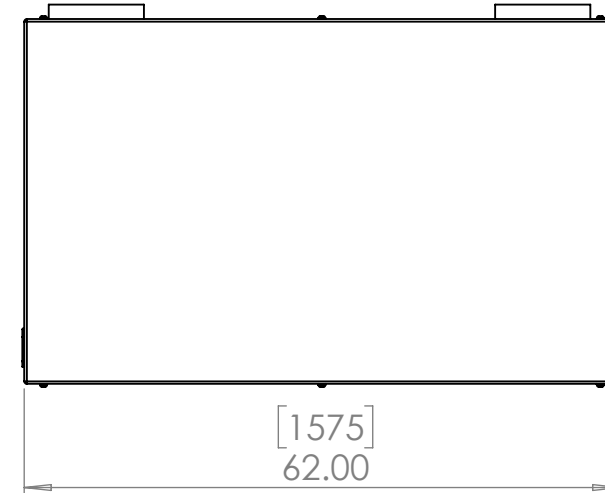
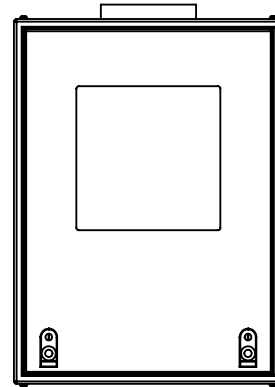
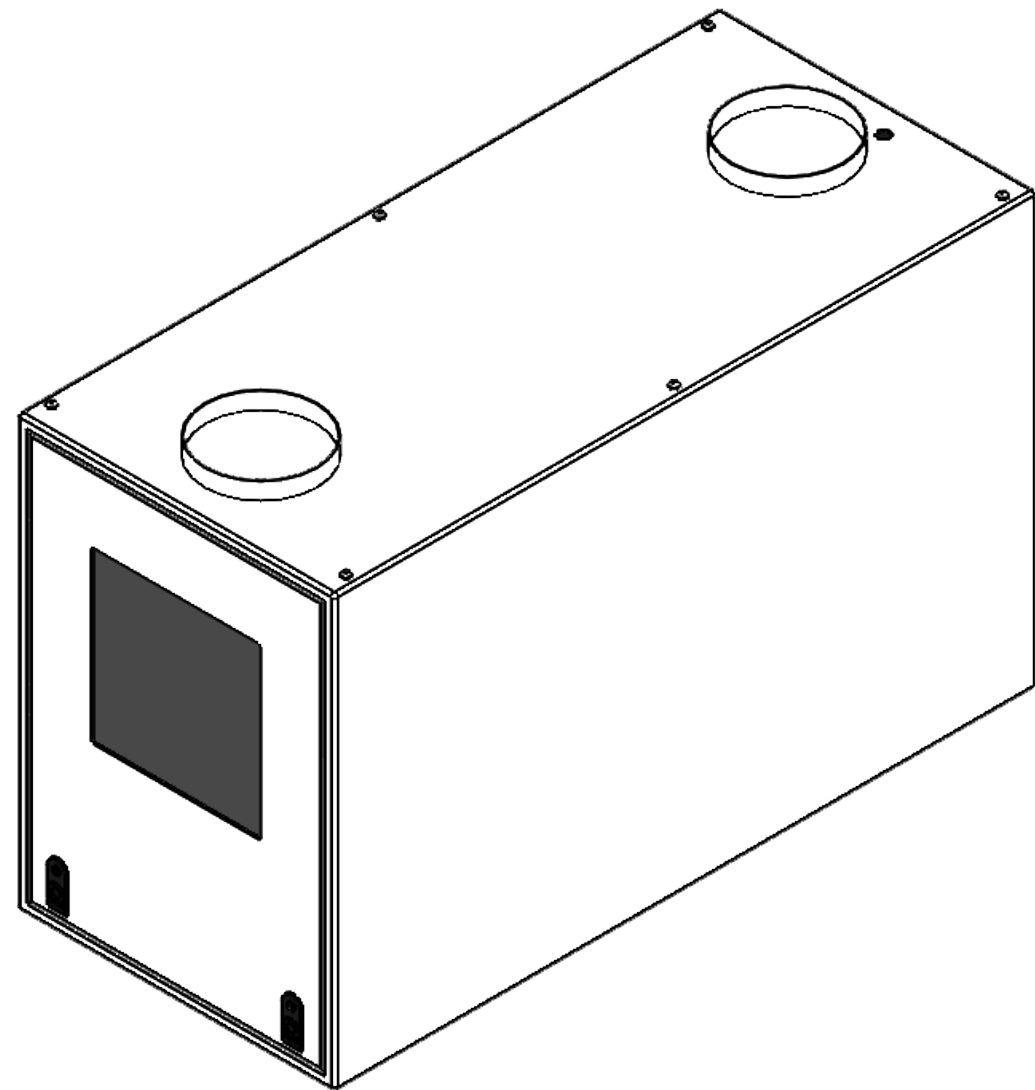
Exhaust Duct Ring

Power & Signal Conduit Entries

Rigging Points:
M12-1.75, 6 places,
top and bottom

User Interface

Lockable Latches
front and back



UNLESS OTHERWISE SPECIFIED:
DIMENSIONS ARE IN INCHES
TOLERANCES:
FRACTIONAL \pm
ANGULAR: MACH \pm BEND \pm
TWO PLACE DECIMAL \pm
THREE PLACE DECIMAL \pm
INTERPRET GEOMETRIC
TOLERANCING PER:
MATERIAL
FINISH
DO NOT SCALE DRAWING

| | NAME | DATE |
|-----------|------|----------|
| DRAWN | TB | 5/3/2018 |
| CHECKED | | |
| ENG APPR. | | |
| MFG APPR. | | |
| Q.A. | | |
| COMMENTS: | | |

TEMPEST
lighting inc.

TITLE: Tacit 56.320 Portrait Enclosure

| | | |
|----------|----------------|-----|
| SIZE | DWG. NO. | REV |
| B | 56.320.P.xx6.4 | |

SCALE: 1:10 SHEET 1 OF 1