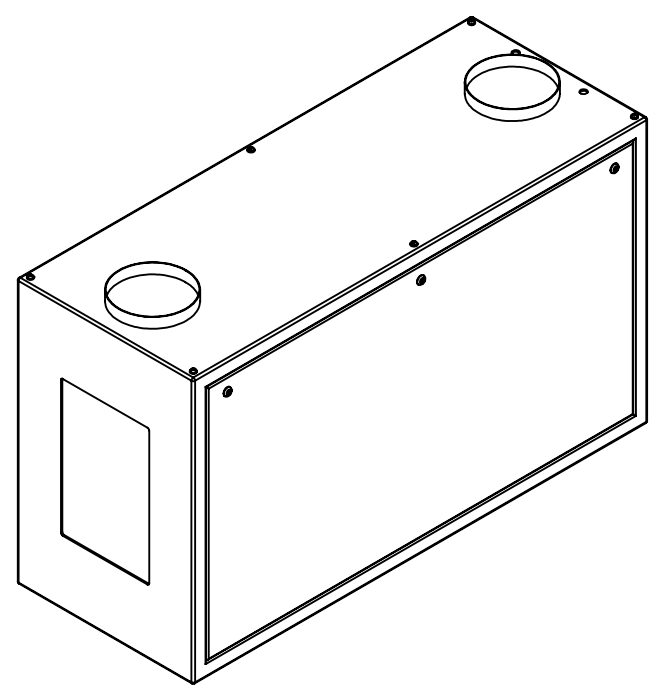
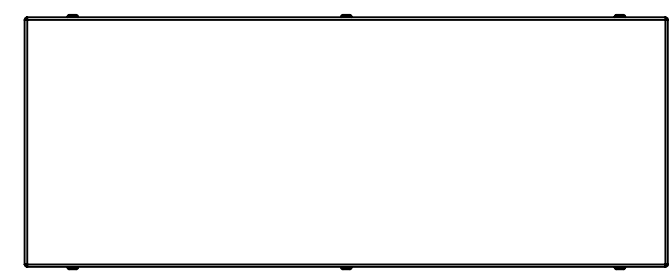
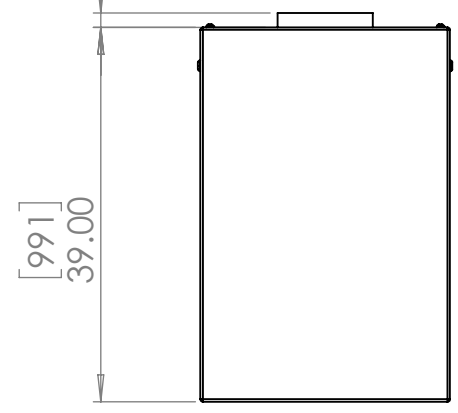
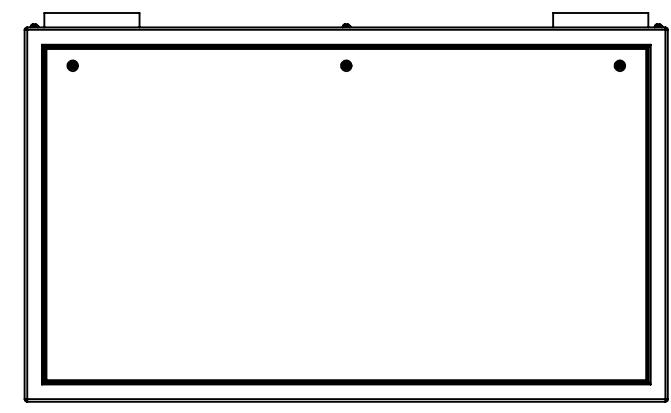
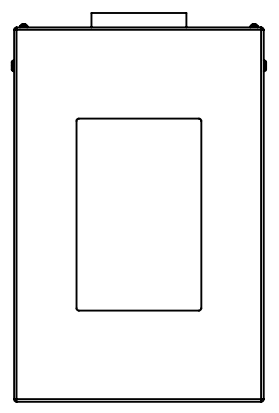
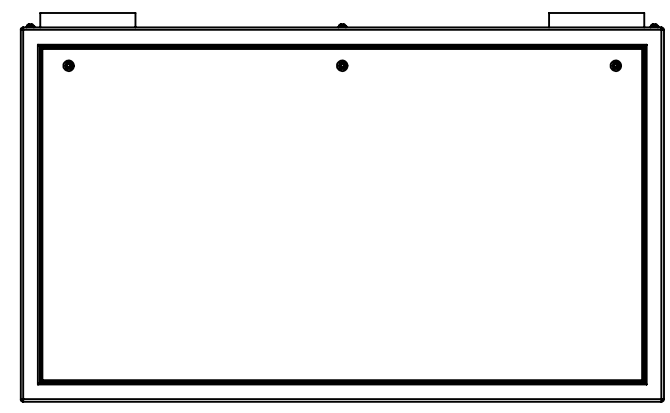
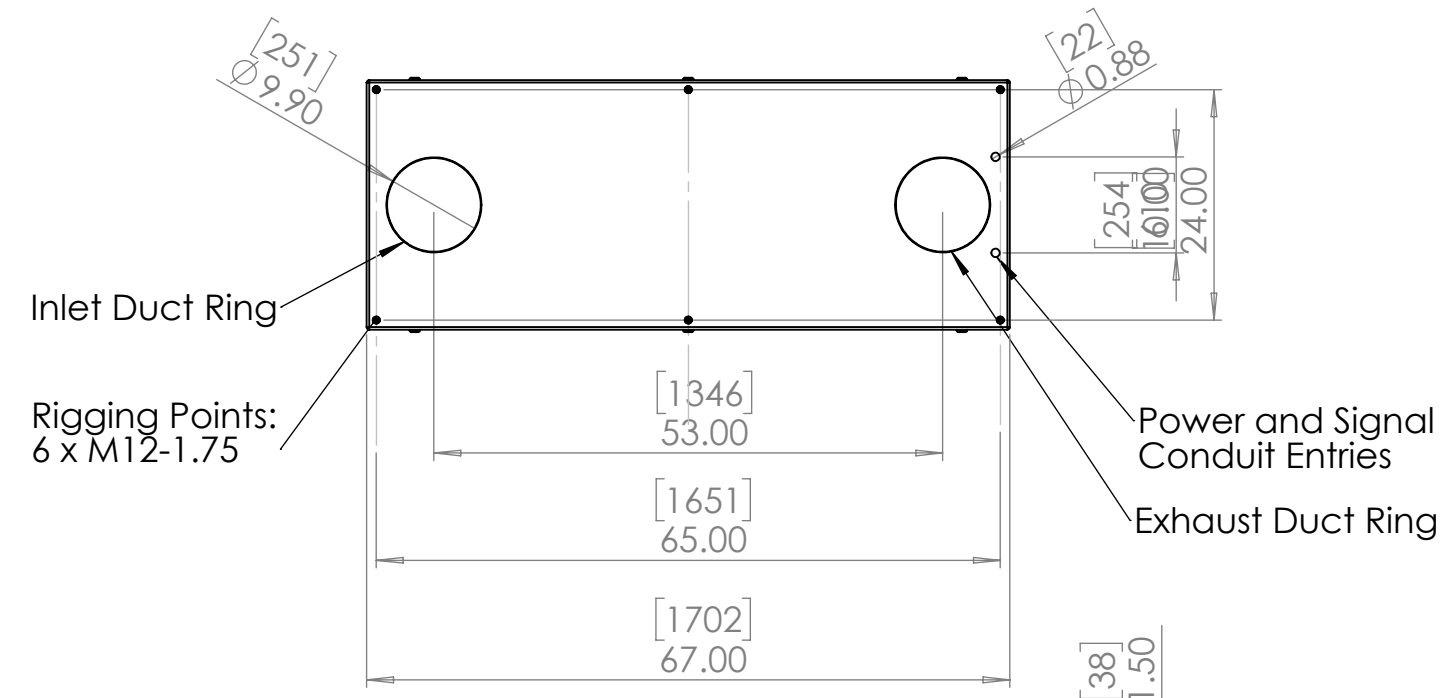


8 7 6 5 4 3 2 1


D  
C  
B  
A

D  
C  
B  
A



UNLESS OTHERWISE SPECIFIED:  
DIMENSIONS ARE IN INCHES  
TOLERANCES:  
FRACTIONAL  $\pm$   
ANGULAR: MACH  $\pm$  BEND  $\pm$   
TWO PLACE DECIMAL  $\pm$   
THREE PLACE DECIMAL  $\pm$   
INTERPRET GEOMETRIC  
TOLERANCING PER:  
MATERIAL  
Aluminum  
FINISH  
TBD  
DO NOT SCALE DRAWING

	NAME	DATE
DRAWN	TB	8/5/2019
CHECKED		
ENG APPR.		
MFG APPR.		
Q.A.		
COMMENTS:		



**TEMPEST**  
lighting inc.

TITLE:  
Tacit 56.320 Portrait  
Enclosure

SIZE <b>B</b>	DWG. NO. 56.320.P	REV 07
------------------	----------------------	-----------

SCALE: 1:20 SHEET 1 OF 1

8 7 6 5 4 3 2 1