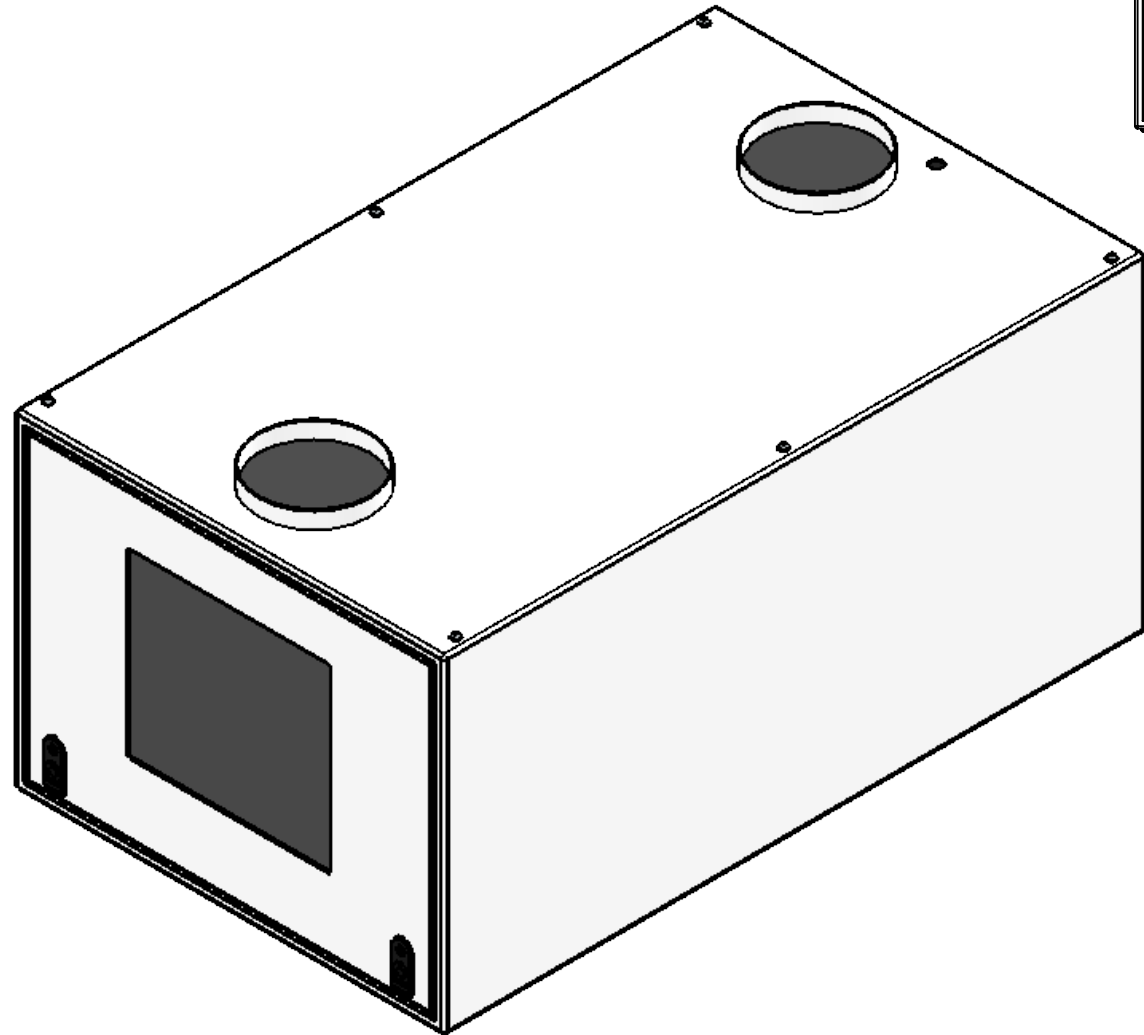


For Remote Fan Assembly,  
see drawing # 51.RFA.10



Inlet Duct Ring

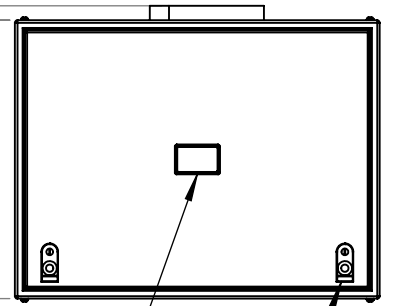
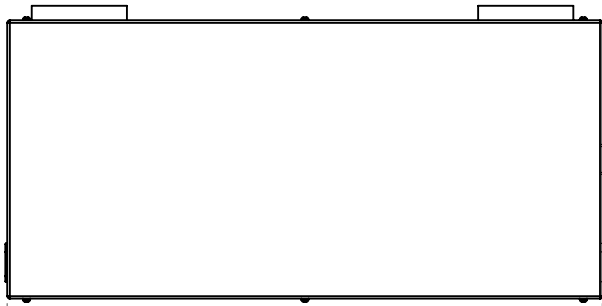
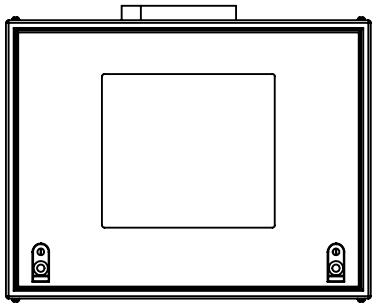
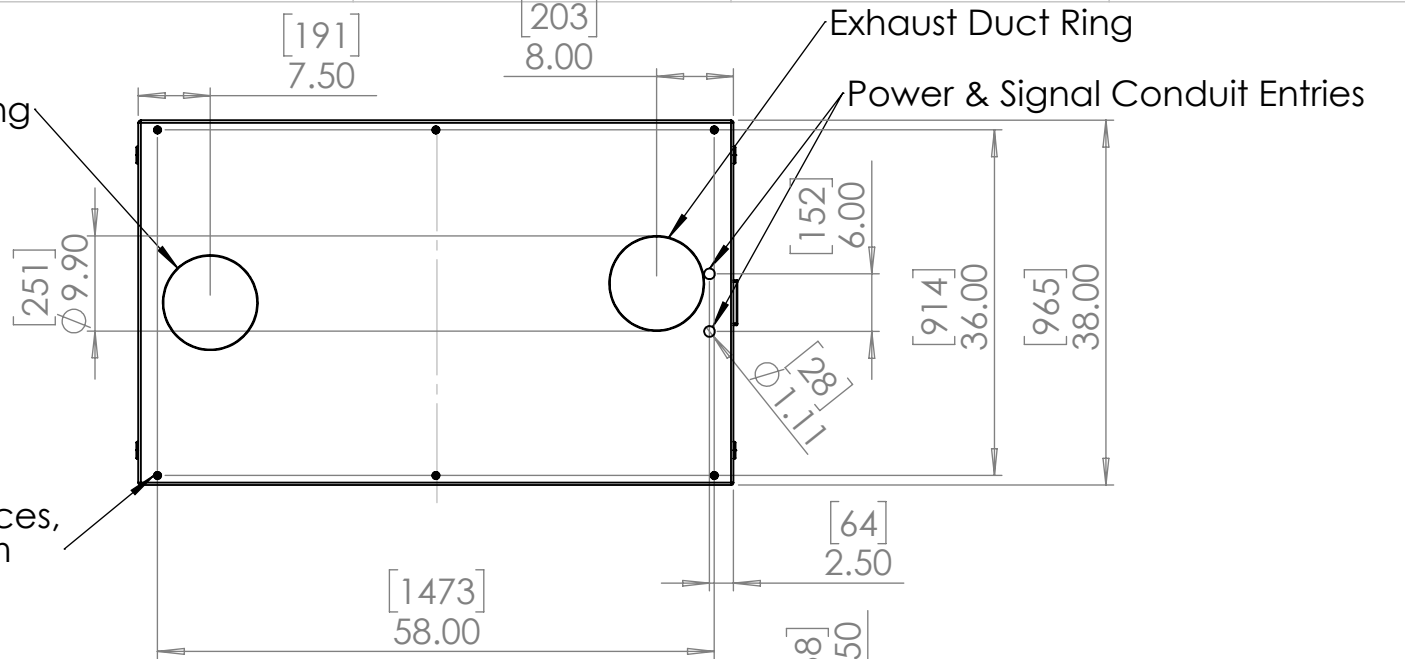
Exhaust Duct Ring

Power & Signal Conduit Entries

Rigging Points:  
M12-1.75, 6 places,  
top and bottom


User Interface

Lockable Latches  
front and back



UNLESS OTHERWISE SPECIFIED:  
DIMENSIONS ARE IN INCHES  
TOLERANCES:  
FRACTIONAL ±  
ANGULAR: MACH ± BEND ±  
TWO PLACE DECIMAL ±  
THREE PLACE DECIMAL ±  
INTERPRET GEOMETRIC  
TOLERANCING PER:  
MATERIAL  
FINISH  
DO NOT SCALE DRAWING

	NAME	DATE
DRAWN	TB	5/3/2018
CHECKED		
ENG APPR.		
MFG APPR.		
Q.A.		
COMMENTS:		



**TEMPEST**  
lighting inc.

TITLE:  
**Tacit 56.320 Landscape Enclosure**

SIZE	DWG. NO.	REV
<b>B</b>	<b>56.320.L.xx</b>	<b>6.3</b>

SCALE: 1:10 SHEET 1 OF 1