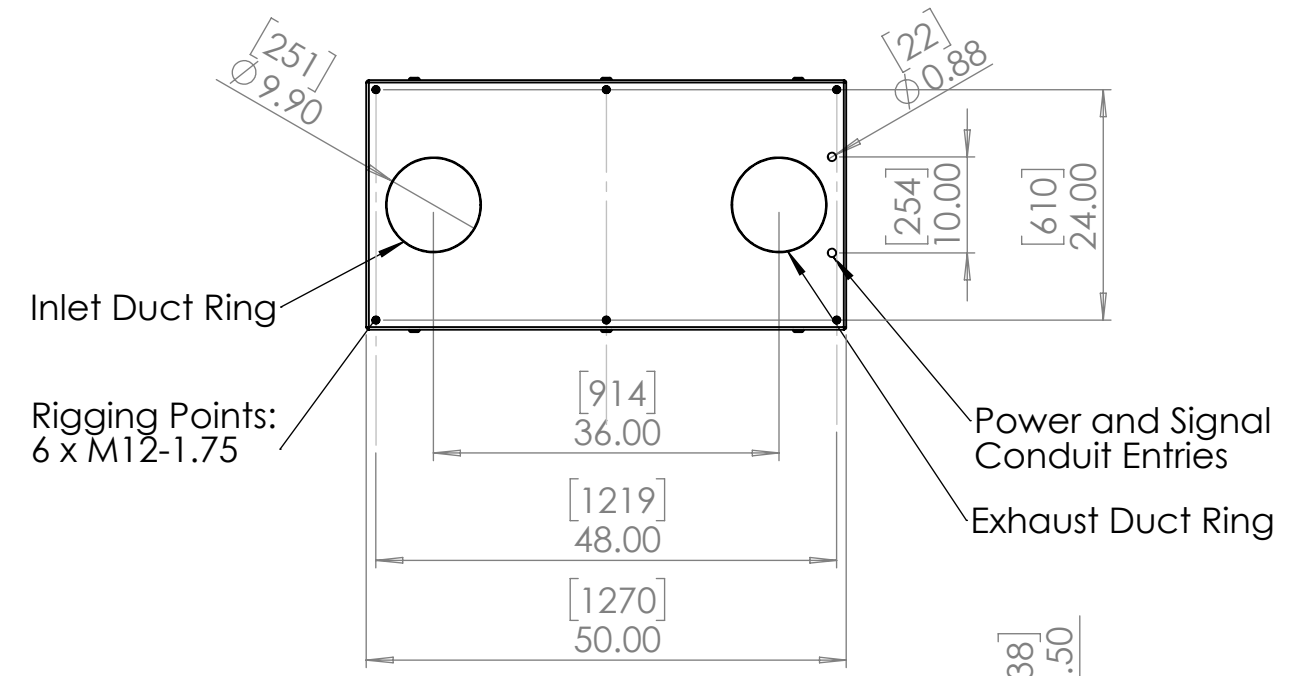
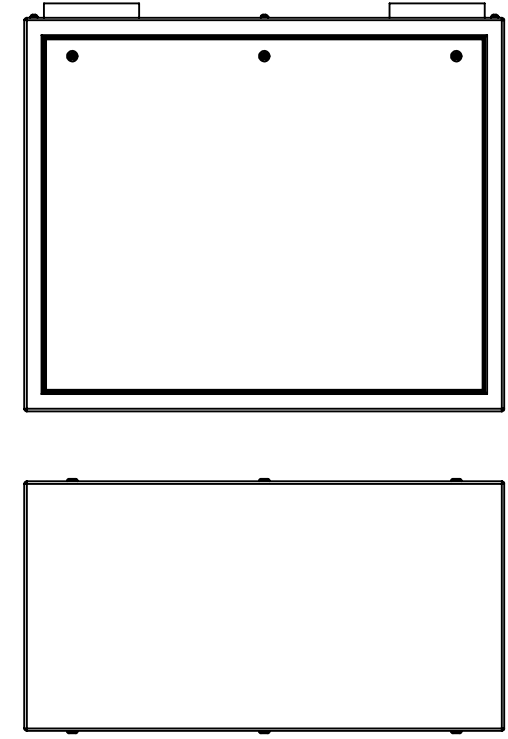
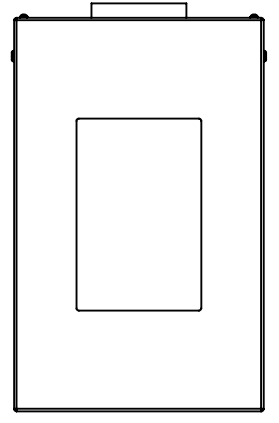
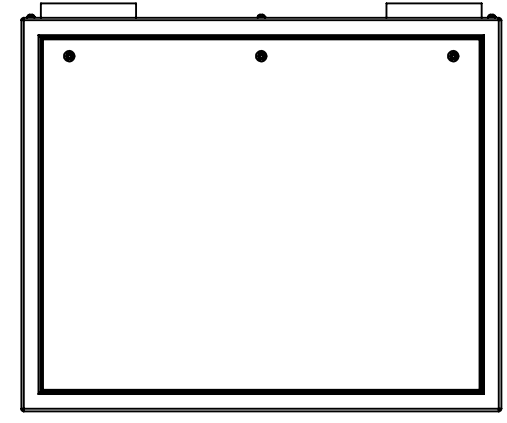
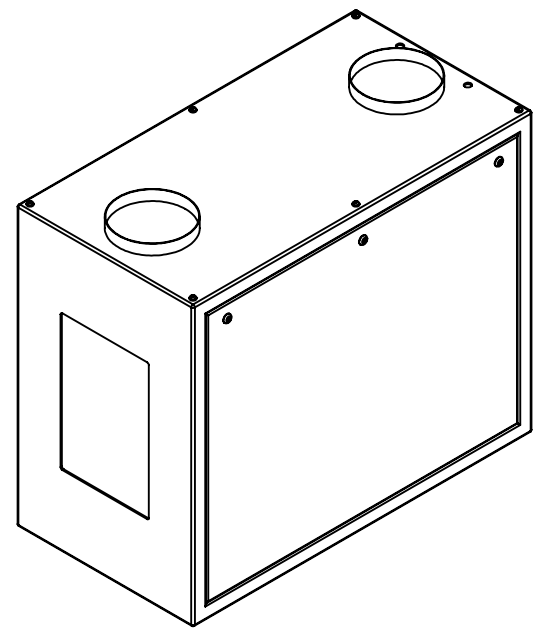


8 7 6 5 4 3 2 1

D
C
B
A

D
C
B
A




UNLESS OTHERWISE SPECIFIED:
DIMENSIONS ARE IN INCHES
TOLERANCES:
FRACTIONAL \pm
ANGULAR: MACH \pm BEND \pm
TWO PLACE DECIMAL \pm
THREE PLACE DECIMAL \pm
INTERPRET GEOMETRIC
TOLERANCING PER:

MATERIAL
Aluminum

FINISH
TBD

DO NOT SCALE DRAWING

	NAME	DATE
DRAWN	TB	8/5/2019
CHECKED		
ENG APPR.		
MFG APPR.		
Q.A.		
COMMENTS:		



TEMPEST
lighting inc.

TITLE:
Tacit 56.250 Portrait
Enclosure

SIZE B	DWG. NO. 56.250.P	REV 07
------------------	----------------------	-----------

SCALE: 1:20 SHEET 1 OF 1

8 7 6 5 4 3 2 1