

For Remote Fan Assembly,
see drawing # 51.RFA.10

Inlet Duct Ring

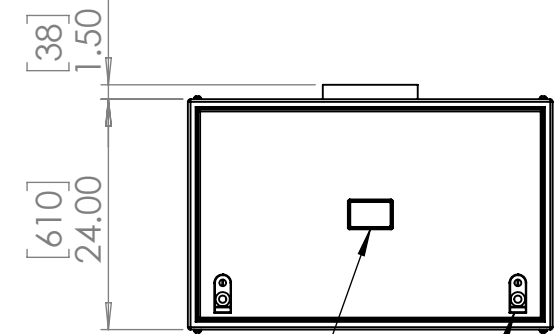
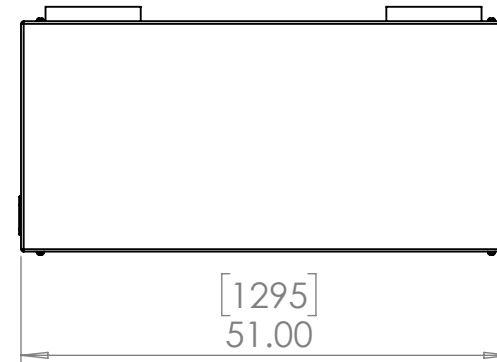
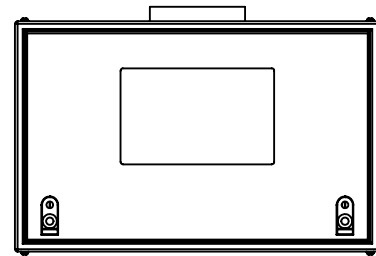
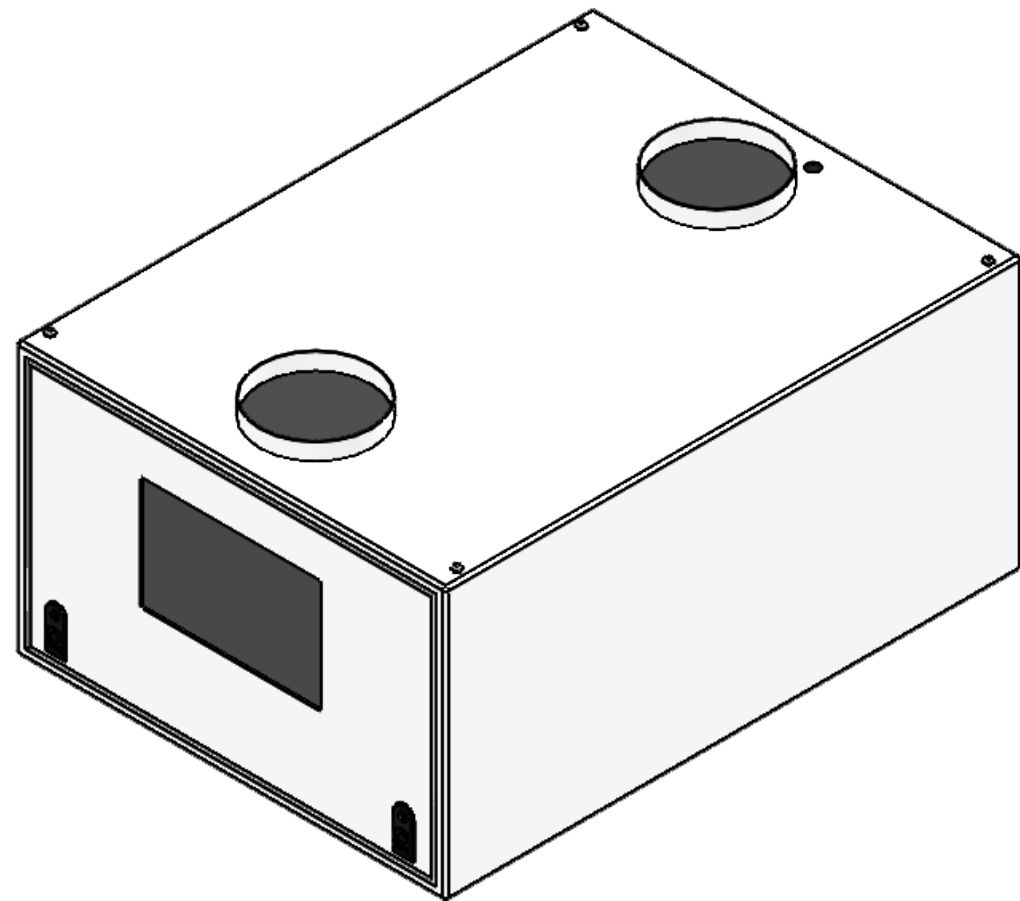
Exhaust Duct Ring

Power & Signal Conduit Entries

Rigging Points:
M12-1.75, 4 places,
top and bottom

User Interface

Lockable Latches
front and back



[191]
7.50

[203]
8.00

[251]
Ø9.90

[152]
6.00

[914]
36.00

[965]
38.00

[1194]
47.00

[64]
2.50

[38]
1.50

[610]
24.00

[1295]
51.00

UNLESS OTHERWISE SPECIFIED:
DIMENSIONS ARE IN INCHES
TOLERANCES:
FRACTIONAL ±
ANGULAR: MACH ± BEND ±
TWO PLACE DECIMAL ±
THREE PLACE DECIMAL ±
INTERPRET GEOMETRIC
TOLERANCING PER:

MATERIAL

FINISH

DO NOT SCALE DRAWING

	NAME	DATE
DRAWN	TB	5/3/2018
CHECKED		
ENG APPR.		
MFG APPR.		
Q.A.		
COMMENTS:		



TITLE:
Tacit 56.250 Landscape
Enclosure

SIZE DWG. NO. REV
B 56.250.L.xx 6.1

SCALE: 1:10 SHEET 1 OF 1