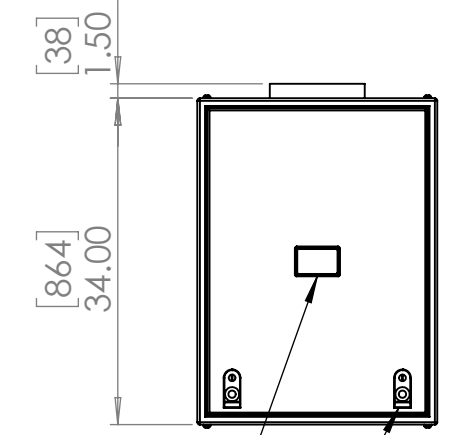
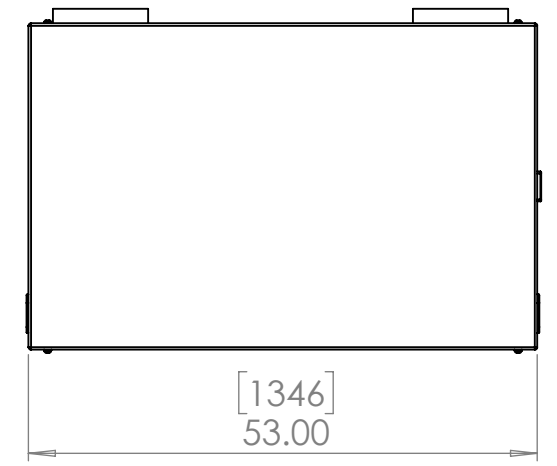
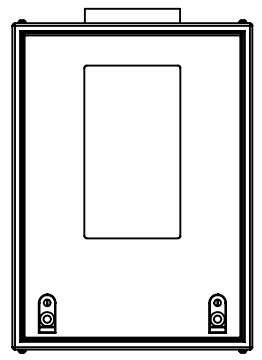
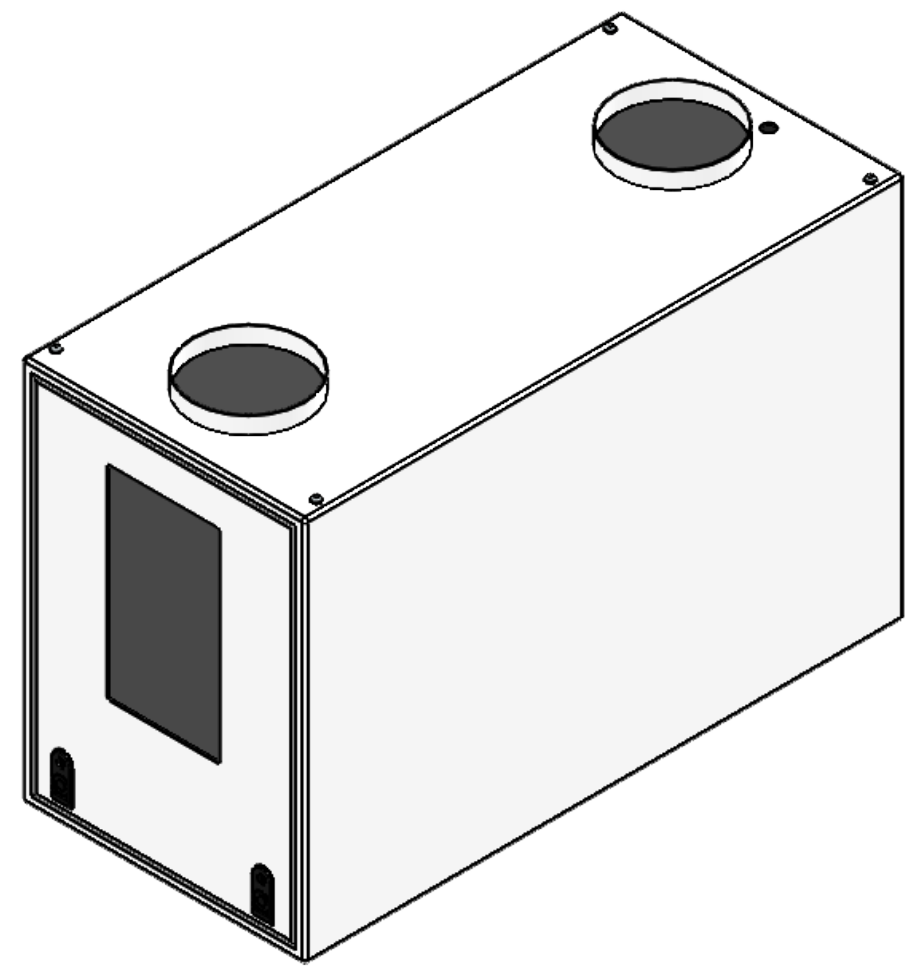
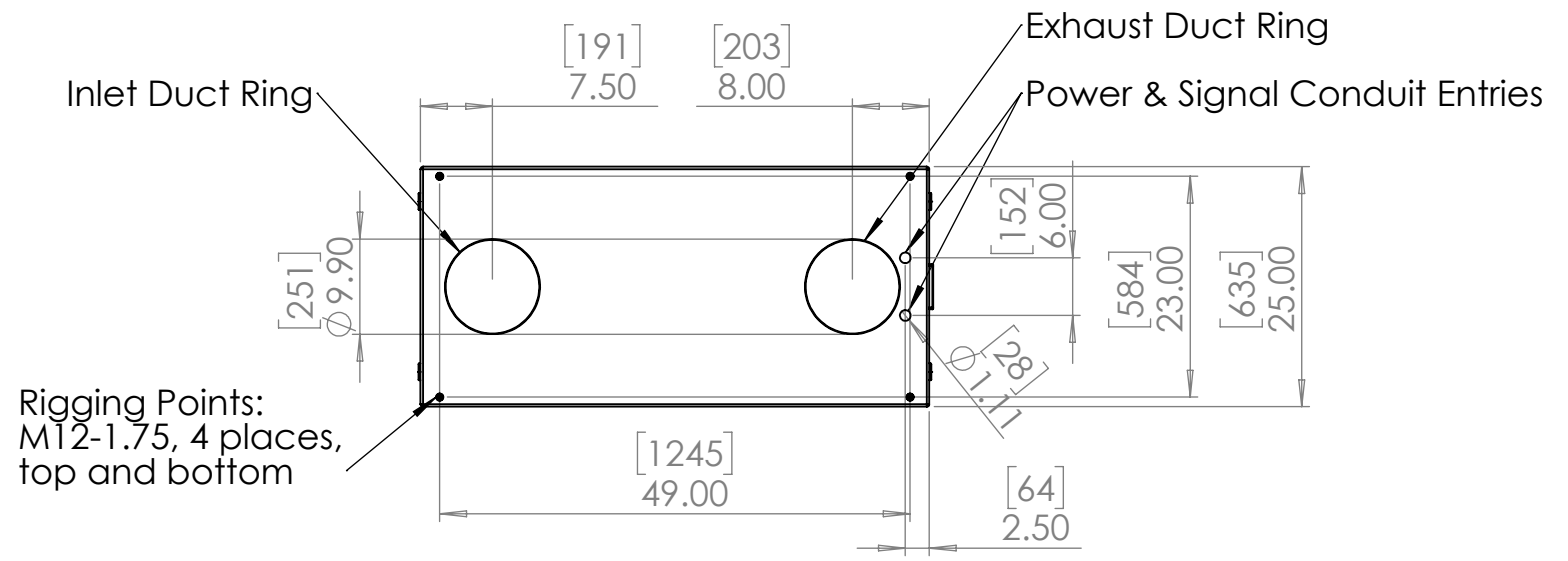


For Remote Fan Assembly,
see drawing # 51.RFA.10



User Interface
Lockable Latches
front and back

UNLESS OTHERWISE SPECIFIED:
DIMENSIONS ARE IN INCHES
TOLERANCES:
FRACTIONAL: \pm
ANGULAR: MACH \pm BEND \pm
TWO PLACE DECIMAL \pm
THREE PLACE DECIMAL \pm
INTERPRET GEOMETRIC
TOLERANCING PER:
MATERIAL
FINISH
DO NOT SCALE DRAWING

	NAME	DATE
DRAWN	TB	5/3/2018
CHECKED		
ENG APPR.		
MFG APPR.		
Q.A.		
COMMENTS:		



TITLE: Tacit 56.240 Portrait Enclosure		
SIZE B	DWG. NO. 56.240.P.xx6.1	REV
SCALE: 1:10		SHEET 1 OF 1