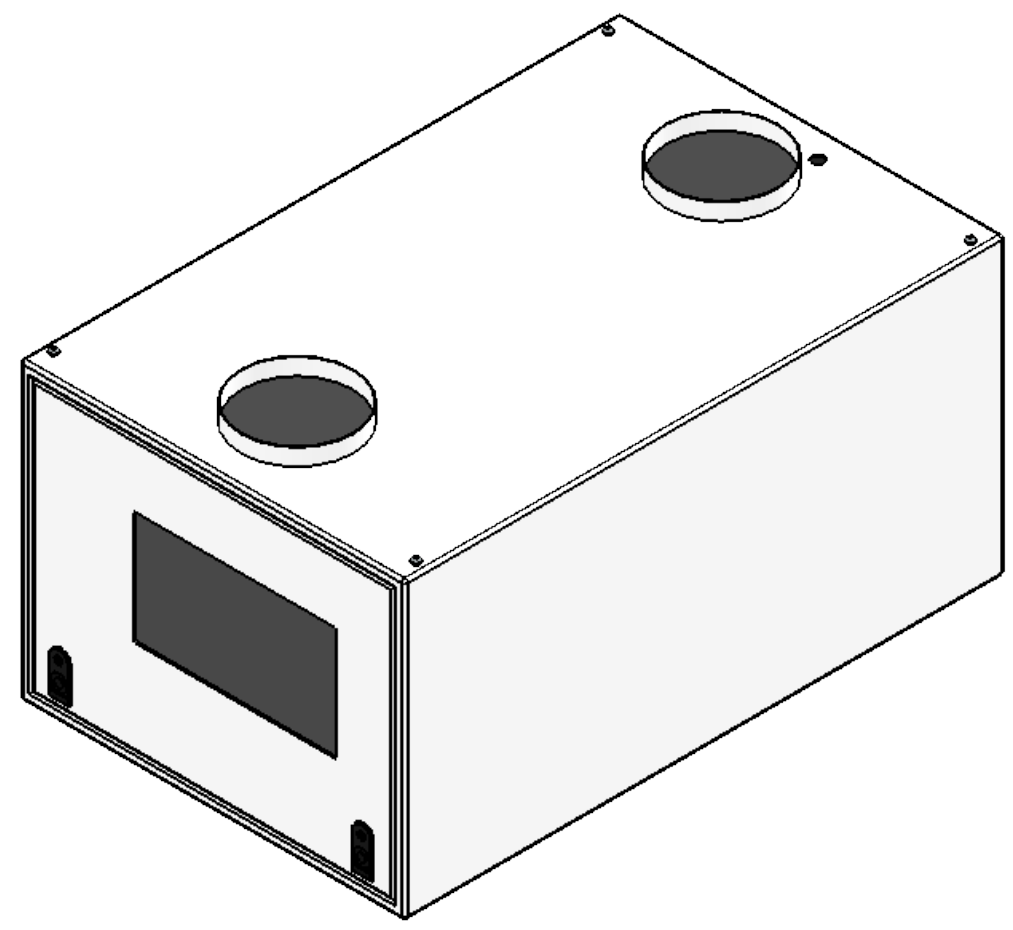
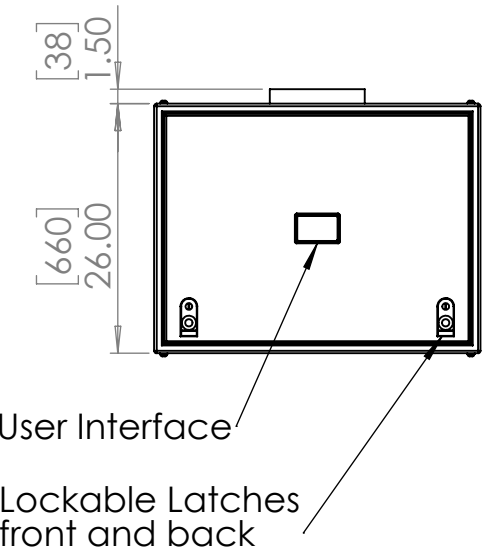
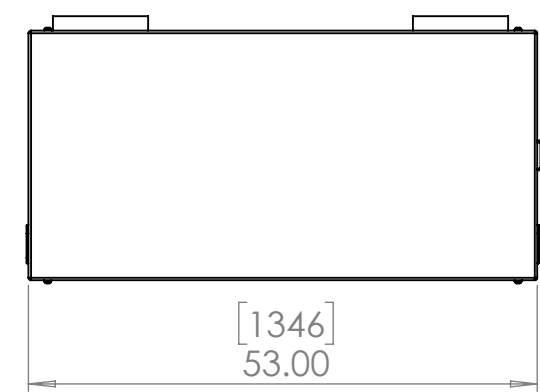
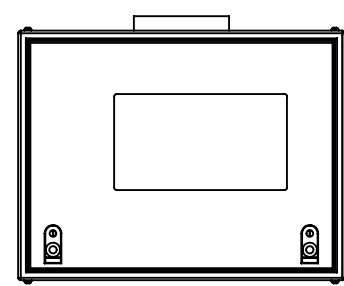
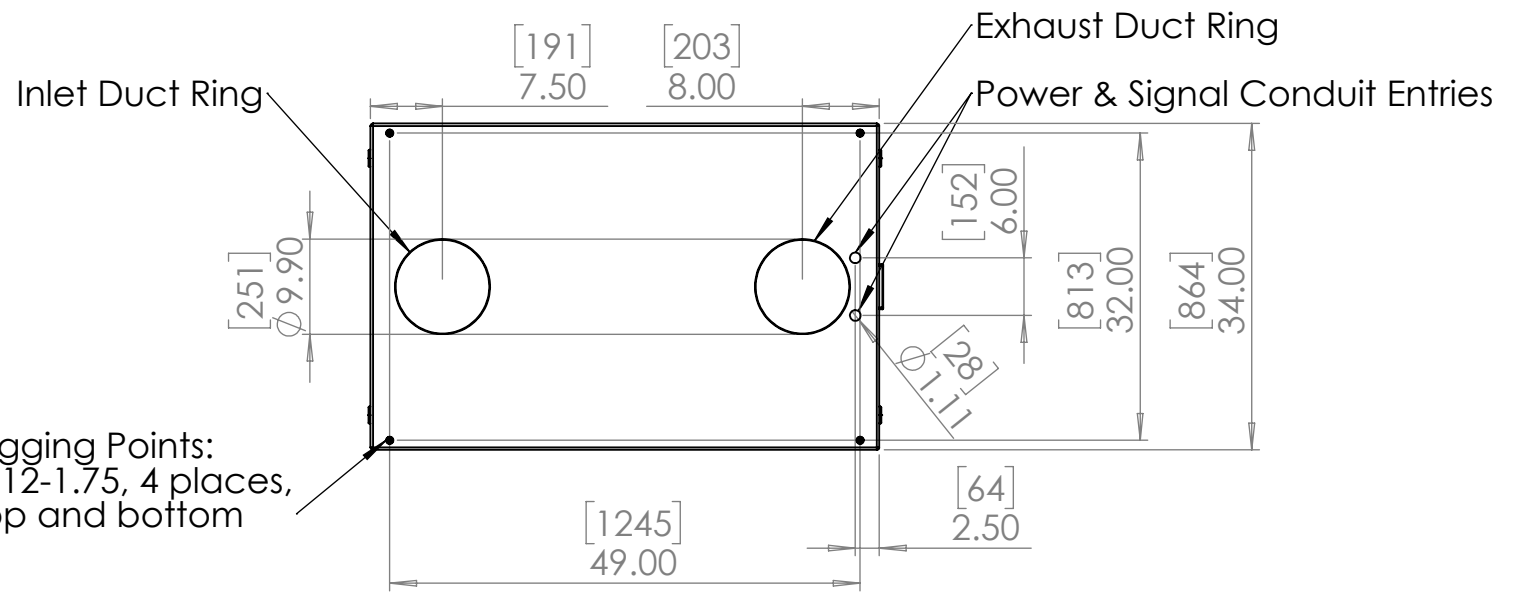


For Remote Fan Assembly,
see drawing # 51.RFA.10



UNLESS OTHERWISE SPECIFIED:
DIMENSIONS ARE IN INCHES
TOLERANCES:
FRACTIONAL: ±
ANGULAR: MACH ± BEND ±
TWO PLACE DECIMAL ±
THREE PLACE DECIMAL ±
INTERPRET GEOMETRIC TOLERANCING PER:
MATERIAL:
FINISH:
DO NOT SCALE DRAWING

	NAME	DATE
DRAWN	TB	5/3/2018
CHECKED		
ENG APPR.		
MFG APPR.		
Q.A.		
COMMENTS:		

TEMPEST
lighting inc.

TITLE:
Tacit 56.240 Landscape Enclosure

SIZE	DWG. NO.	REV
B	56.240.L.xx	6.1

SCALE: 1:10 SHEET 1 OF 1