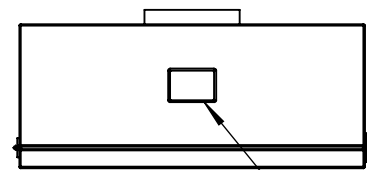
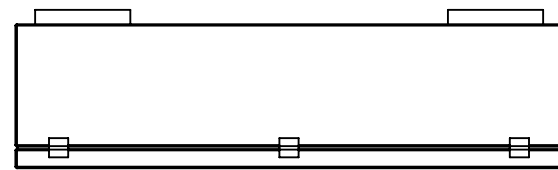
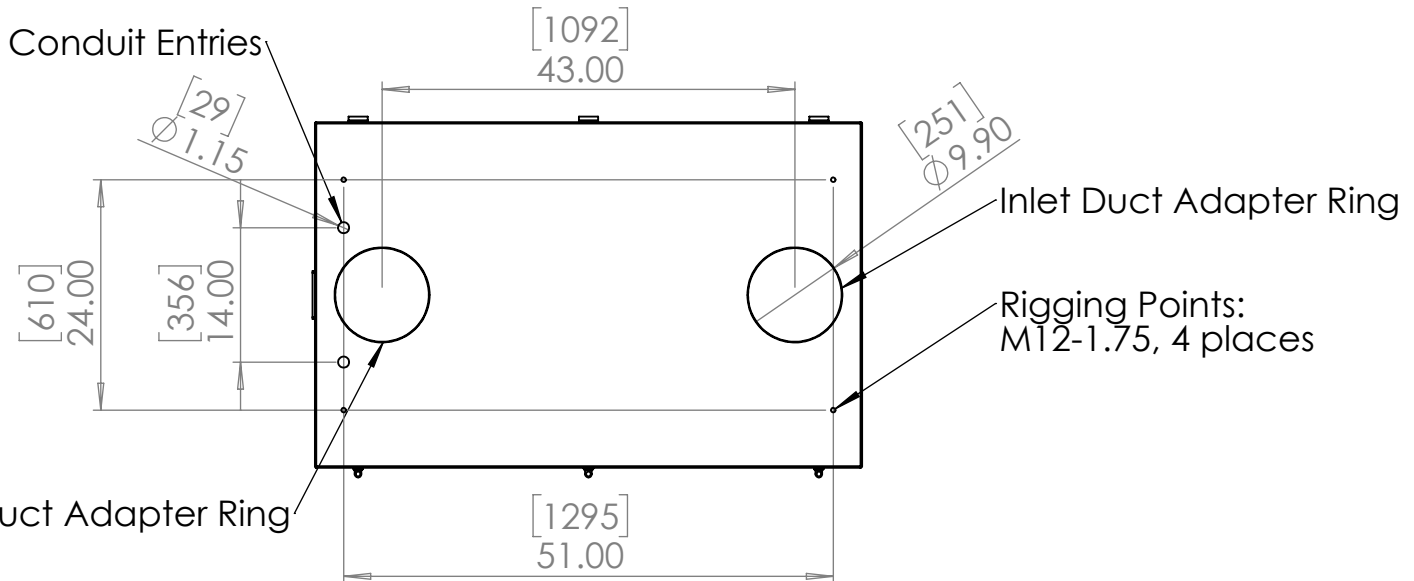
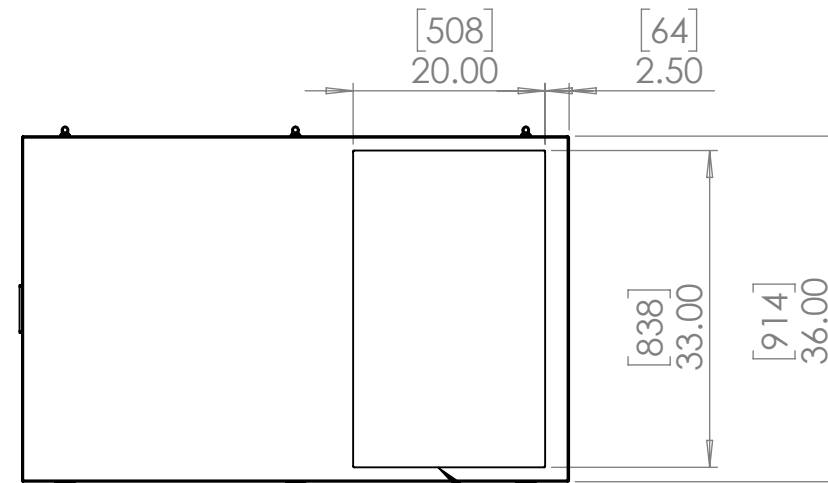
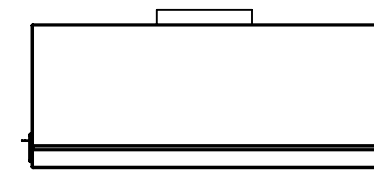
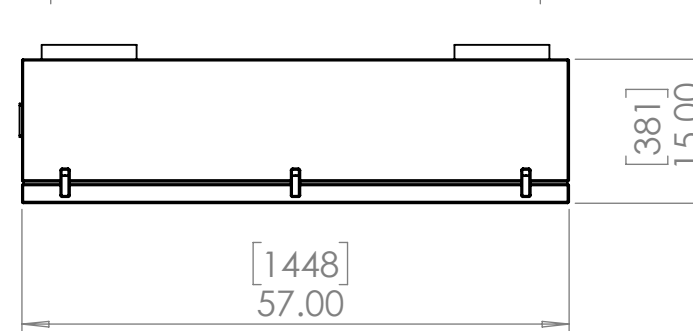


NOTE: For Remote Fan Assembly, see drawing 51.RFA.10

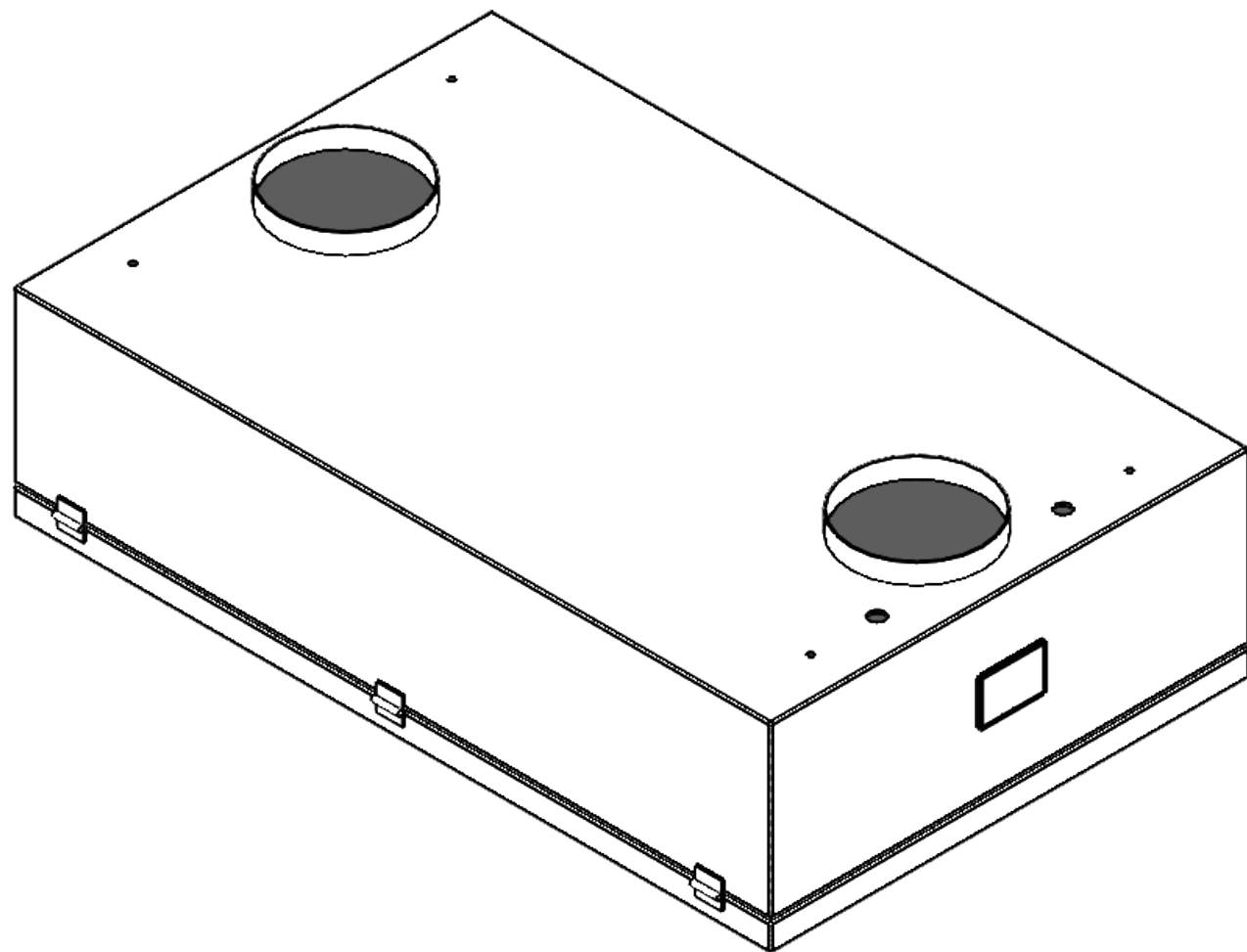
Power & Signal Conduit Entries



DEC User Interface



Port Glass



UNLESS OTHERWISE SPECIFIED:
 DIMENSIONS ARE IN INCHES
 TOLERANCES:
 FRACTIONAL ±
 ANGULAR: MACH ± BEND ±
 TWO PLACE DECIMAL ±
 THREE PLACE DECIMAL ±
 INTERPRET GEOMETRIC TOLERANCING PER:
 MATERIAL
 Aluminum
 FINISH
 To Customer Order
 DO NOT SCALE DRAWING

	NAME	DATE
DRAWN	TB	10/15/2018
CHECKED		
ENG APPR.		
MFG APPR.		
Q.A.		
COMMENTS:		



TITLE: Tacit 56.210 UST		
SIZE B	DWG. NO. 56.210.U.xx6.1	REV
SCALE: 1:20		SHEET 1 OF 1