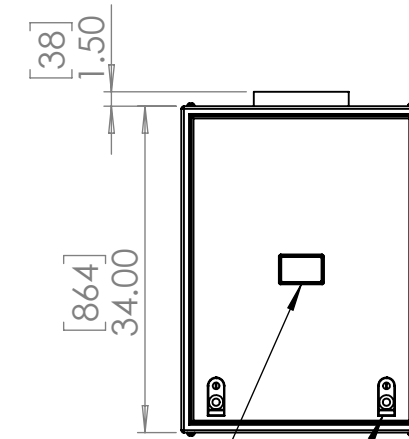
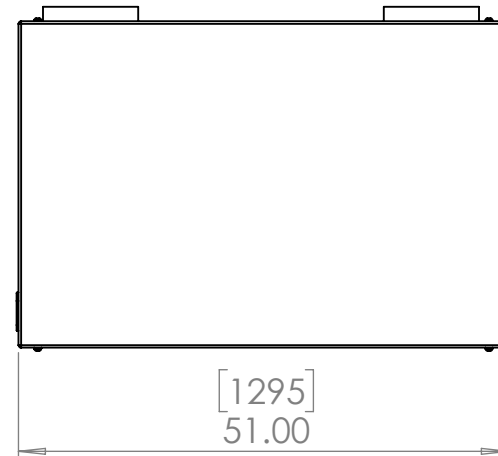
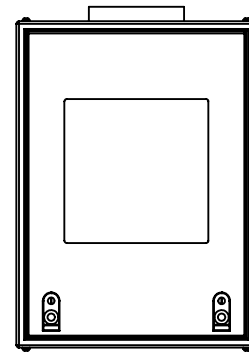
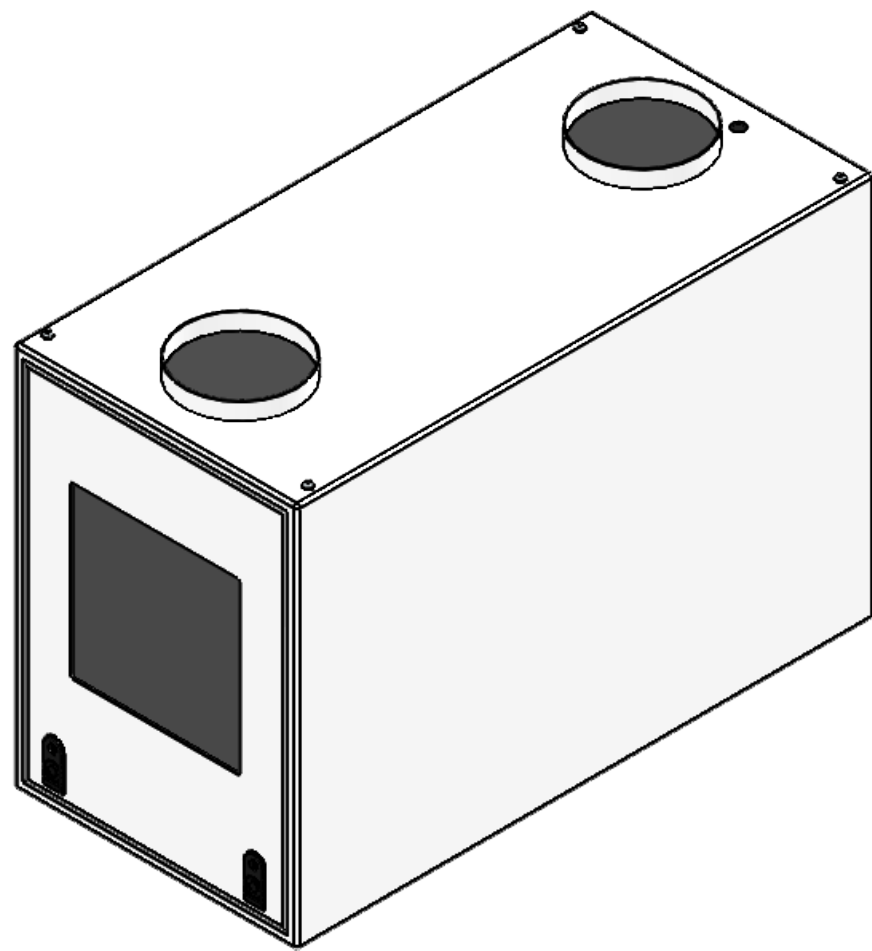
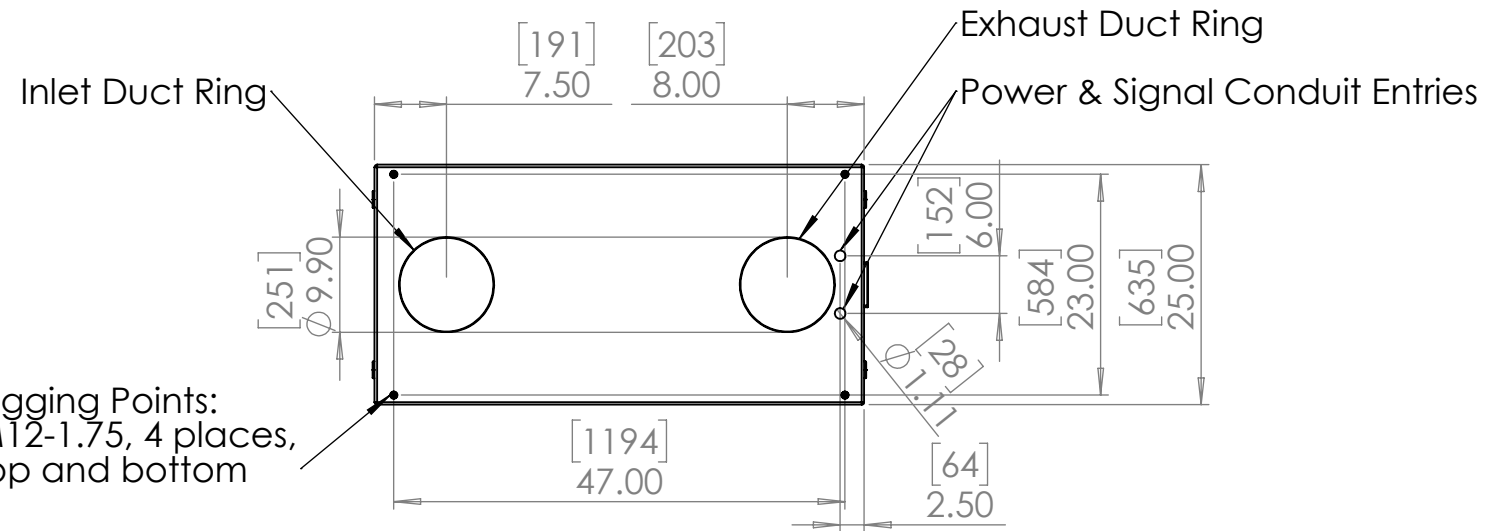


For Remote Fan Assembly,  
see drawing # 51.RFA.10



User Interface

Lockable Latches  
front and back

UNLESS OTHERWISE SPECIFIED:  
DIMENSIONS ARE IN INCHES  
TOLERANCES:  
FRACTIONAL: ±  
ANGULAR: MACH ± BEND ±  
TWO PLACE DECIMAL ±  
THREE PLACE DECIMAL ±  
INTERPRET GEOMETRIC  
TOLERANCING PER:

MATERIAL	NAME	DATE
FINISH	DRAWN	TB 5/3/2018
DO NOT SCALE DRAWING	CHECKED	
	ENG APPR.	
	MFG APPR.	
	Q.A.	
	COMMENTS:	



TITLE:  
Tacit 56.210 Portrait  
Enclosure

SIZE DWG. NO. REV  
**B** 56.210.P.xx6.1

SCALE: 1:10 SHEET 1 OF 1