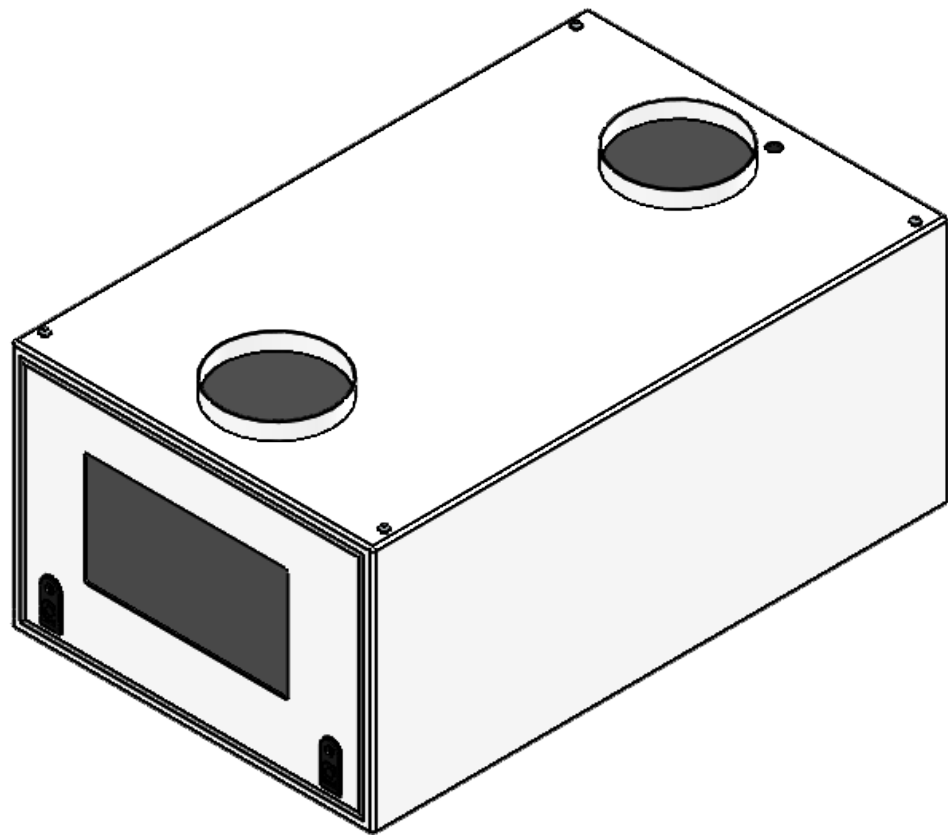
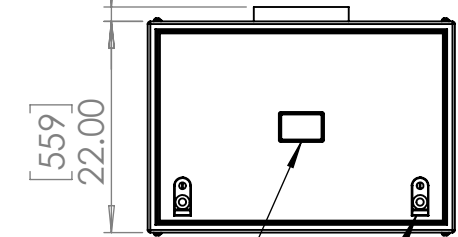
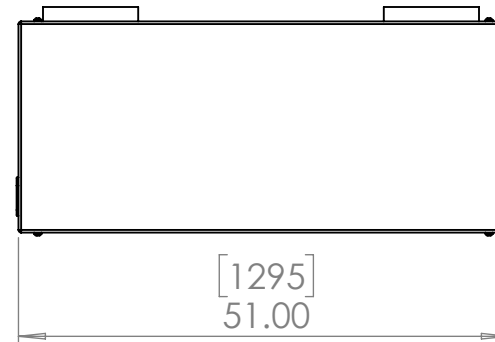
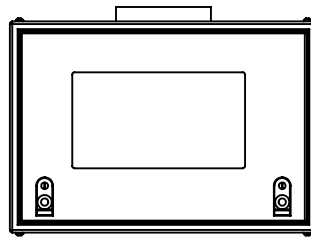
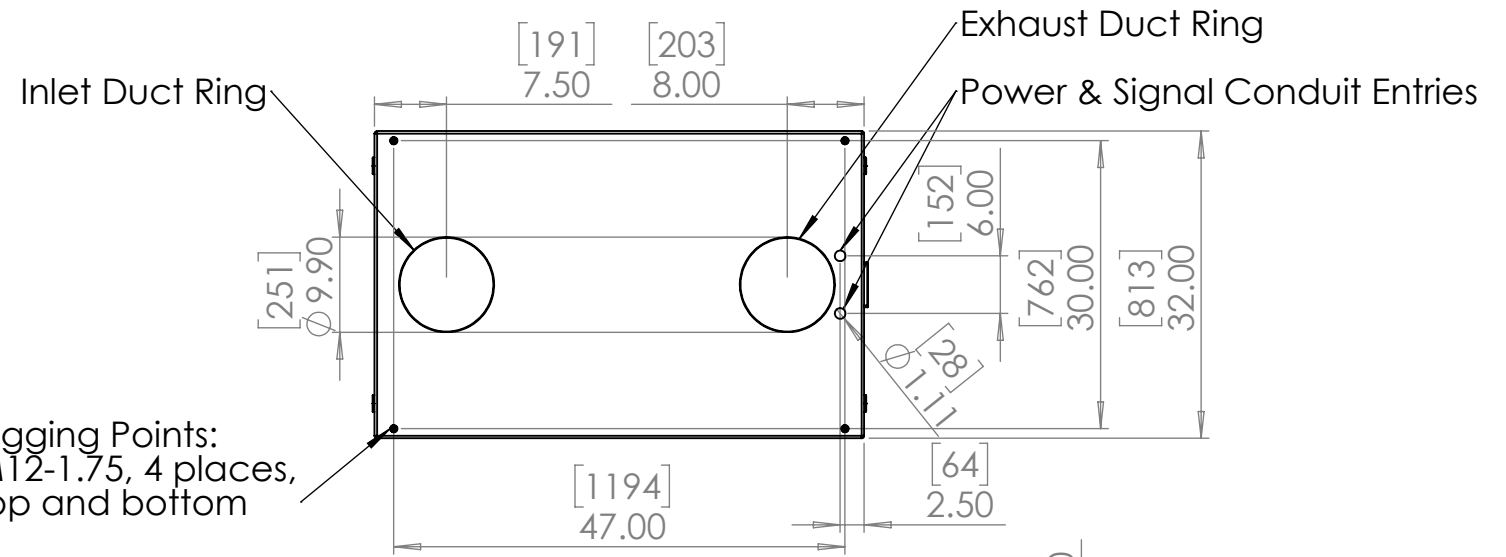


For Remote Fan Assembly,  
see drawing # 51.RFA.10



UNLESS OTHERWISE SPECIFIED:  
DIMENSIONS ARE IN INCHES  
TOLERANCES:  
FRACTIONAL:  $\pm$   
ANGULAR: MACH  $\pm$  BEND  $\pm$   
TWO PLACE DECIMAL  $\pm$   
THREE PLACE DECIMAL  $\pm$   
INTERPRET GEOMETRIC TOLERANCING PER:

MATERIAL	NAME	DATE
FINISH	DRAWN	TB 5/3/2018
DO NOT SCALE DRAWING	CHECKED	
	ENG APPR.	
	MFG APPR.	
	Q.A.	
	COMMENTS:	



TITLE:  
**Tacit 56.210 Landscape Enclosure**

SIZE	DWG. NO.	REV
<b>B</b>	<b>56.210.L.xx</b>	<b>6.1</b>

SCALE: 1:10 SHEET 1 OF 1