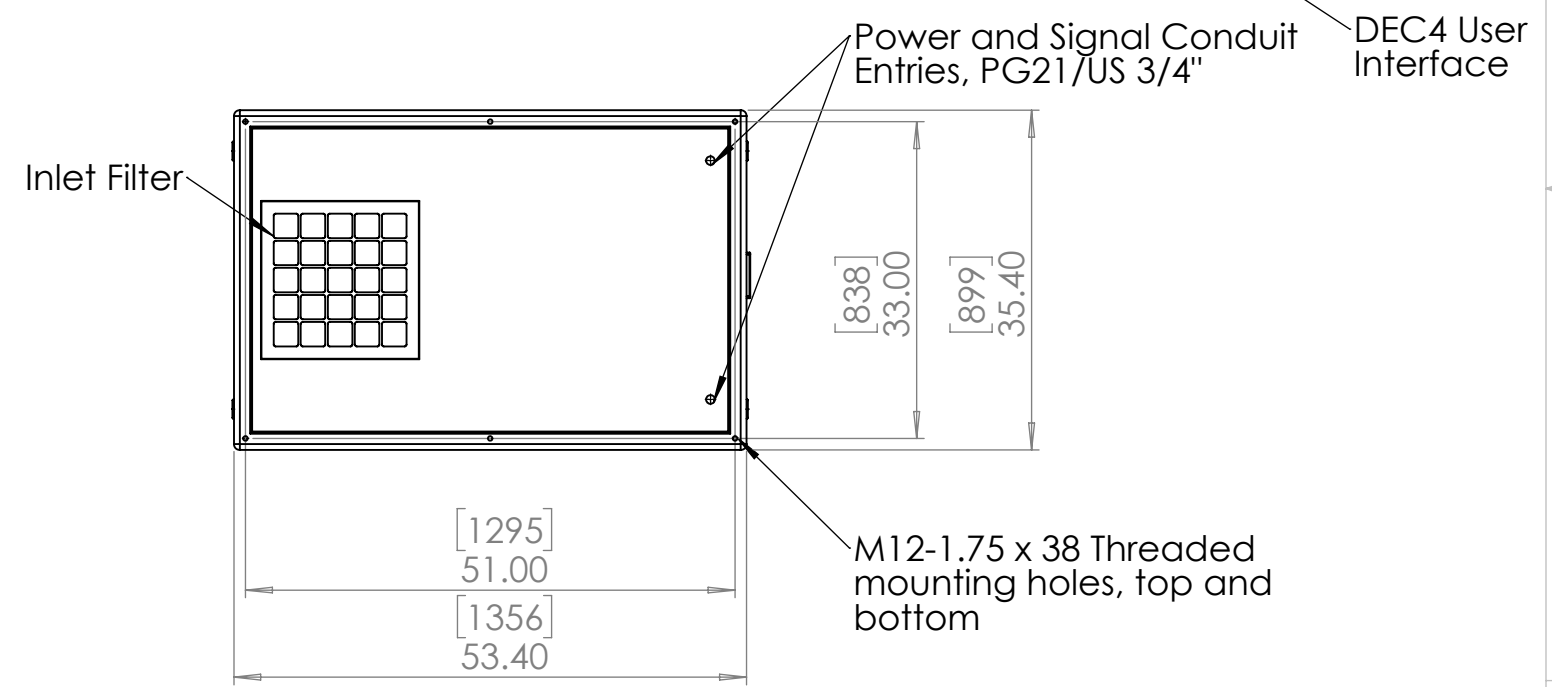
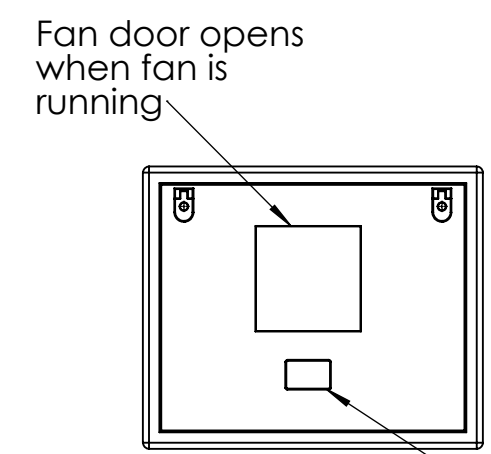
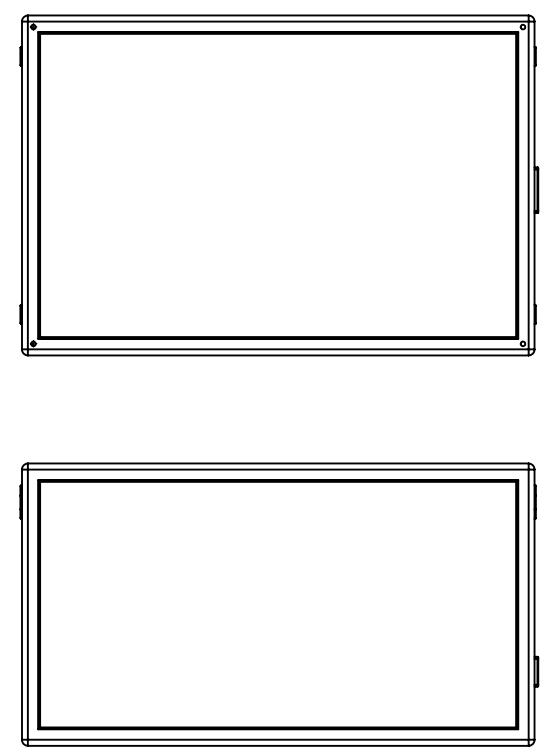
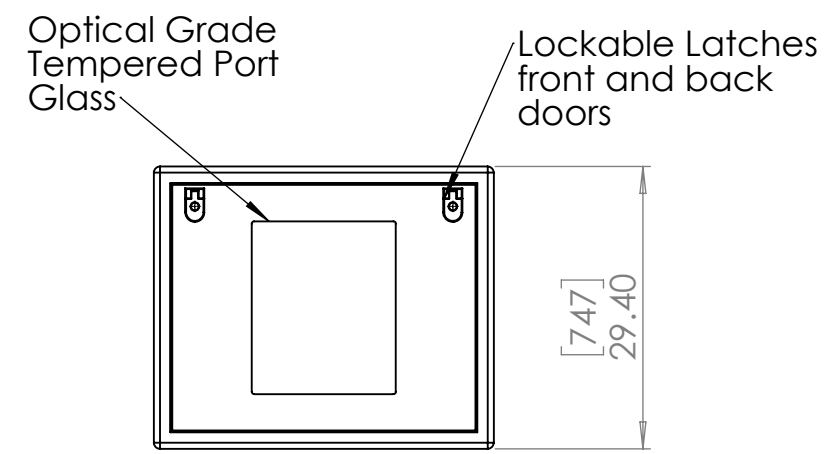
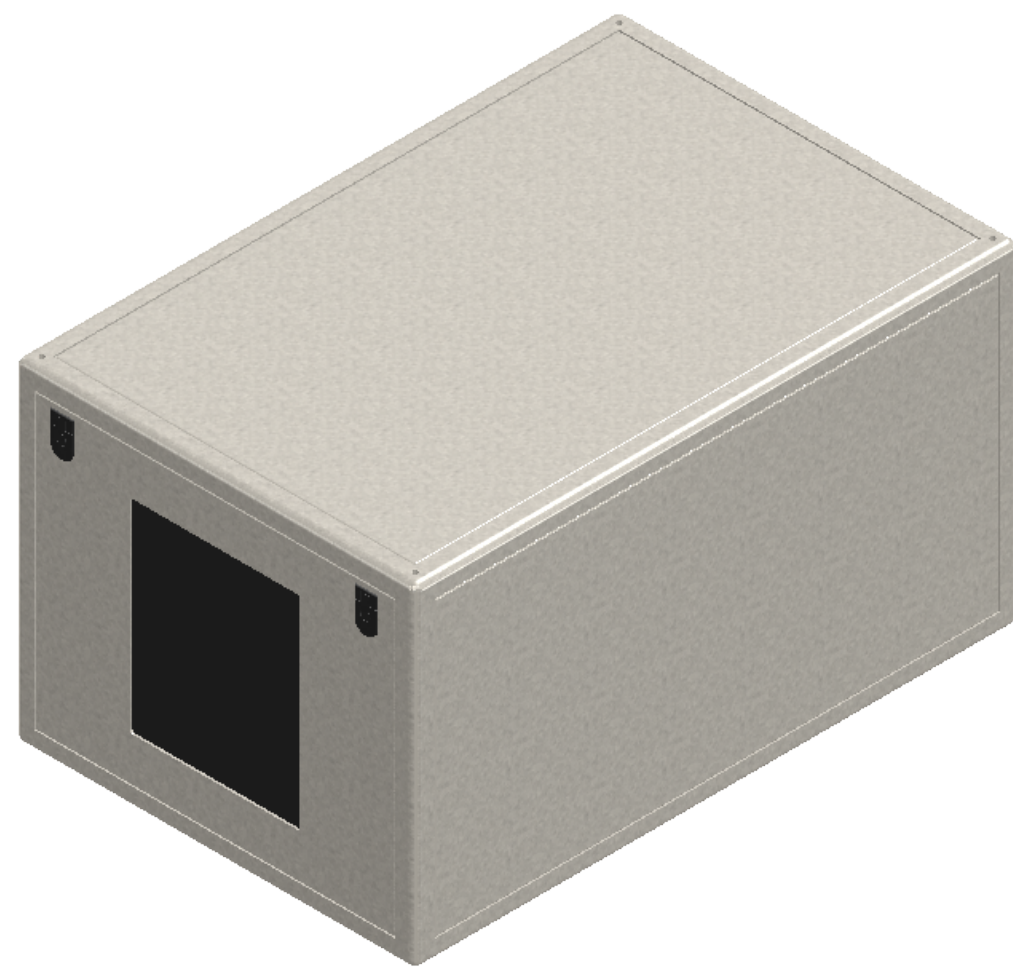


8 7 6 5 4 3 2 1

D
C
B
A



UNLESS OTHERWISE SPECIFIED:
 DIMENSIONS ARE IN INCHES
 TOLERANCES:
 FRACTIONAL ±
 ANGULAR: MACH ± BEND ±
 TWO PLACE DECIMAL ±
 THREE PLACE DECIMAL ±
 INTERPRET GEOMETRIC TOLERANCING PER:
 MATERIAL
 Aluminum & SS
 FINISH
 Lt Bronze
 DO NOT SCALE DRAWING

	NAME	DATE
DRAWN	TB	12/9/2016
CHECKED		
ENG APPR.		
MFG APPR.		
Q.A.		
COMMENTS:		

TITLE:
Cyclone G4 for Barco HDF

SIZE	DWG. NO.	REV
B	55.350.L.xx	02

SCALE: 1:20 SHEET 1 OF 1