

8 7 6 5 4 3 2 1

D

D

M12-1.75  
Rigging Points  
top and  
bottom

Front Slide Shown:  
Specify Front or Rear  
Slide when ordering.

Optical  
Grade  
Tempered  
Port Glass

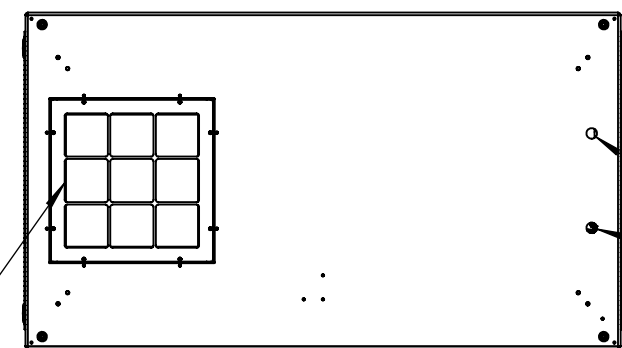
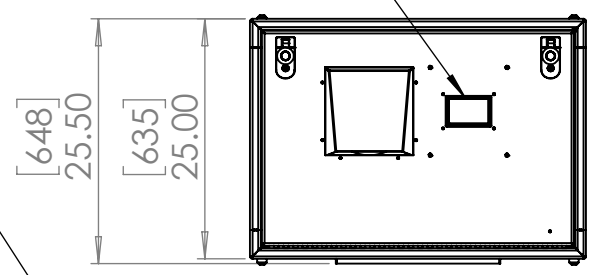
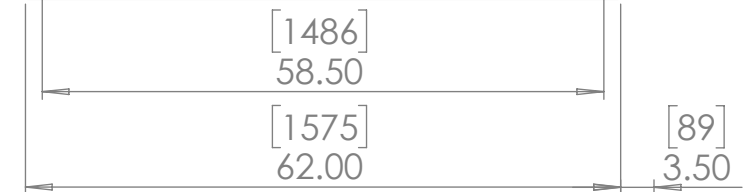
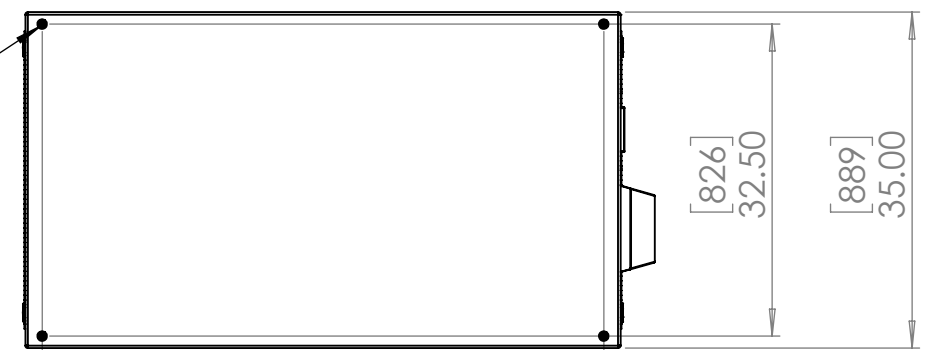
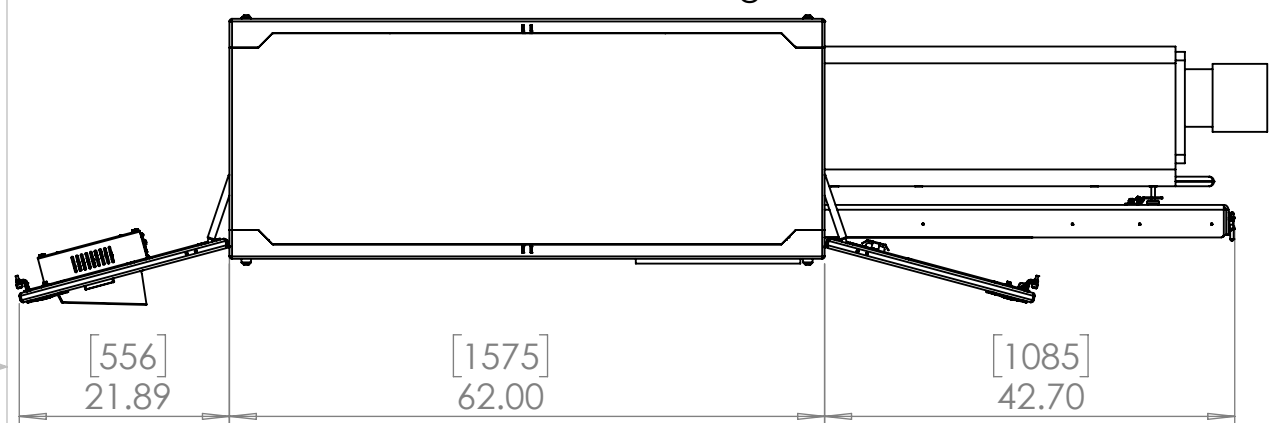
Lockable  
Latches

User  
Interface

Exhaust Cowl with  
Insect Screen

Power and Signal  
Conduit Entries (PG21  
International, US 3/4"  
Trade Size)

Salt Fog Inlet  
Filter - Do not  
Obstruct



C

C

B

B


A

A

8 7 6 5 4 3 2 1

UNLESS OTHERWISE SPECIFIED:  
DIMENSIONS ARE IN INCHES  
TOLERANCES:  
FRACTIONAL ±  
ANGULAR: MACH ± BEND ±  
TWO PLACE DECIMAL ±  
THREE PLACE DECIMAL ±  
INTERPRET GEOMETRIC  
TOLERANCING PER:  
MATERIAL  
FINISH  
DO NOT SCALE DRAWING

	NAME	DATE
DRAWN	TB	1/31/2018
CHECKED		
ENG APPR.		
MFG APPR.		
Q.A.		
COMMENTS:		



**TEMPEST**  
lighting inc.

TITLE:  
**Cyclone 320 Landscape  
Enclosure**

SIZE	DWG. NO.	REV
<b>B</b>	<b>55.320.L.xx</b>	<b>6.2</b>

SCALE: 1:10 SHEET 1 OF 1