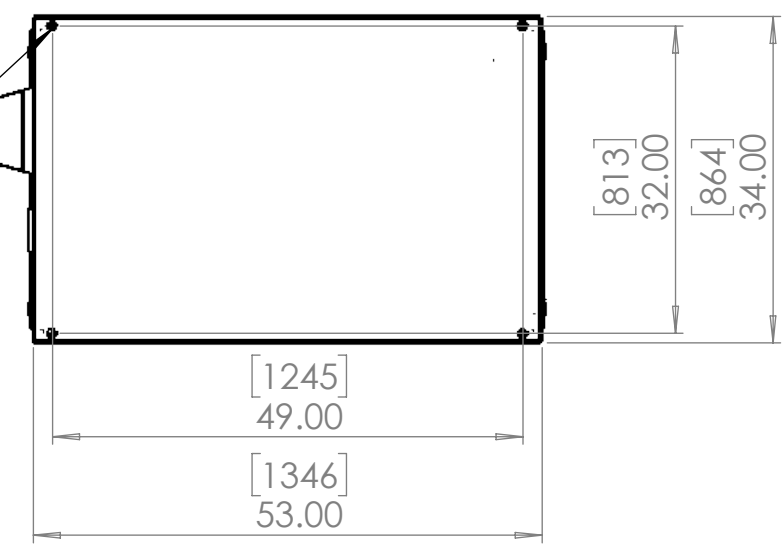


8 7 6 5 4 3 2 1

D

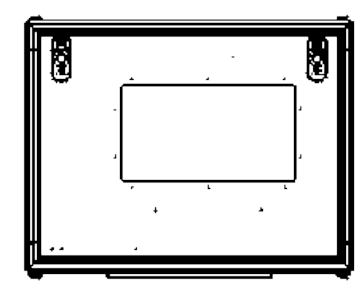
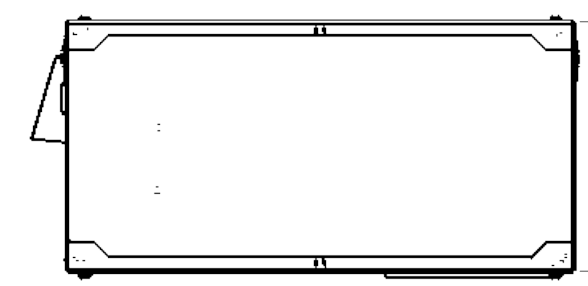
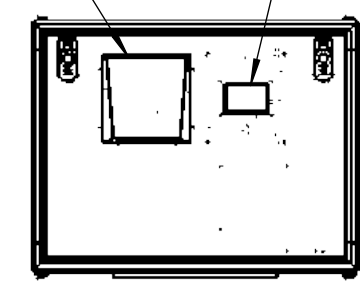
D

Rigging Points:  
M12-1.75, 4 places  
top and bottom  
surface



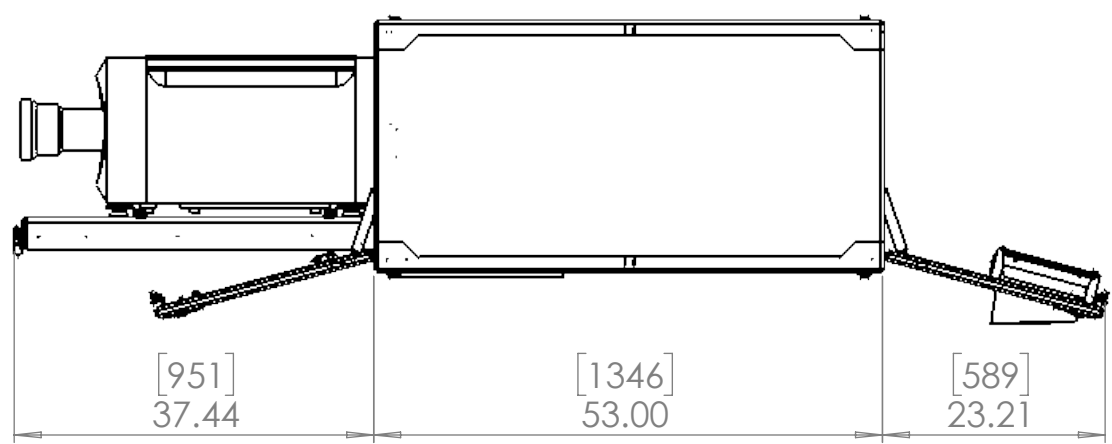
Front Slide shown here. Specify front or rear  
slide when ordering. Rear Slide dimensions  
mirror front slide.

Exhaust  
Cowl      User  
Interface

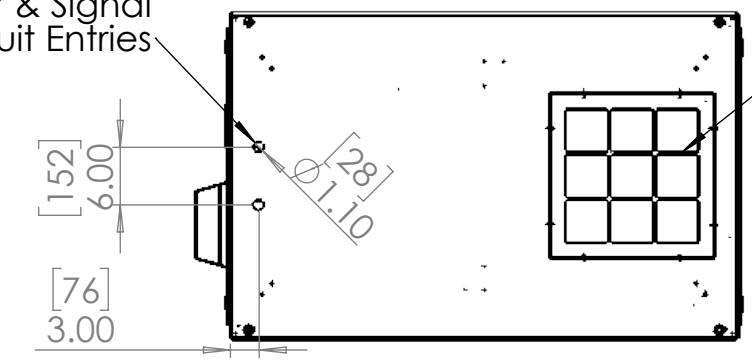


C

C



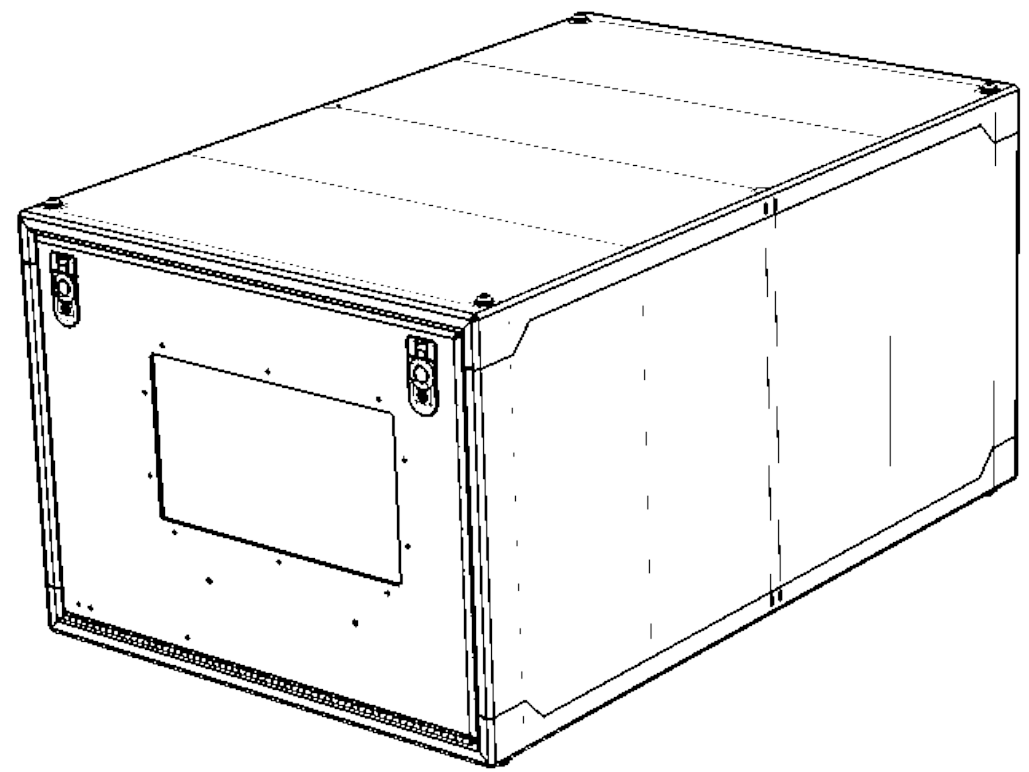
Power & Signal  
Conduit Entries



Inlet Filter -  
accessible  
from inside or  
outside

B

B




A

A

UNLESS OTHERWISE SPECIFIED:  
DIMENSIONS ARE IN INCHES  
TOLERANCES:  
FRACTIONAL ±  
ANGULAR: MACH ±    BEND ±  
TWO PLACE DECIMAL ±  
THREE PLACE DECIMAL ±  
INTERPRET GEOMETRIC  
TOLERANCING PER:  
MATERIAL  
FINISH  
DO NOT SCALE DRAWING

	NAME	DATE
DRAWN	TB	3/13/2018
CHECKED		
ENG APPR.		
MFG APPR.		
Q.A.		
COMMENTS:		



**TEMPEST**  
lighting inc.

TITLE:  
**Cyclone 240 Landscape  
Enclosure**

SIZE	DWG. NO.	REV
<b>B</b>	<b>55.240.L.xx</b>	<b>6.2</b>

SCALE: 1:20      SHEET 1 OF 1

8 7 6 5 4 3 2 1