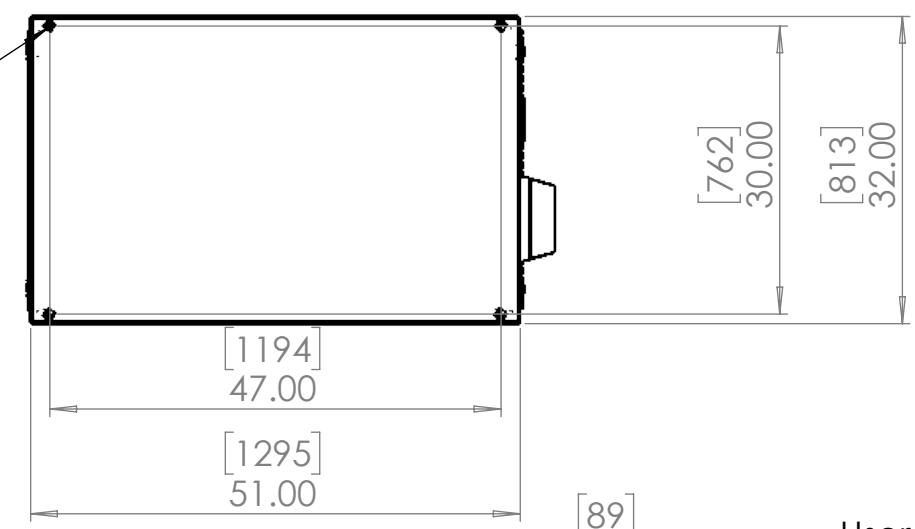


8 7 6 5 4 3 2 1

D

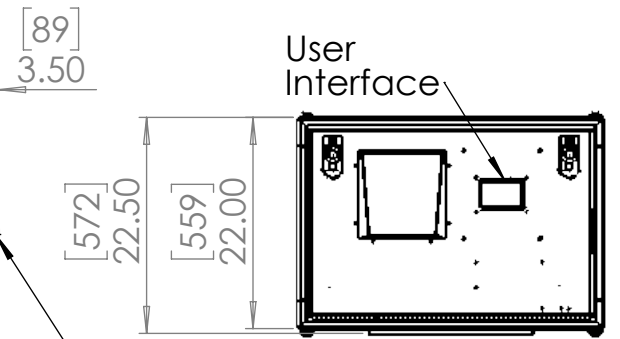
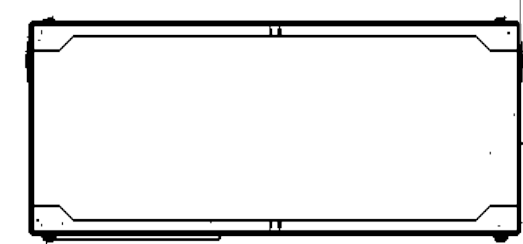
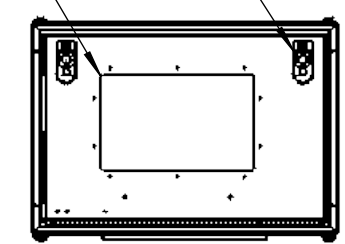
D

M12-1.75
Rigging Points
top and
bottom



Front Slide Shown:
Specify Front or Rear
Slide when ordering.

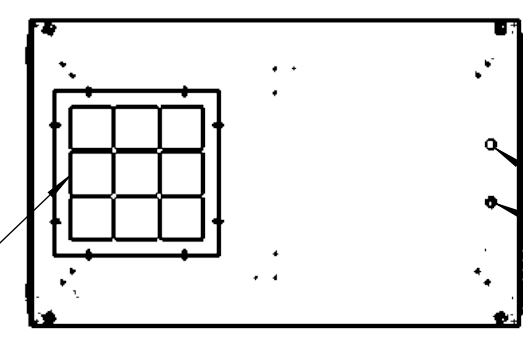
Optical
Grade
Tempered
Port Glass
Lockable
Latches



Exhaust Cowl with
Insect Screen

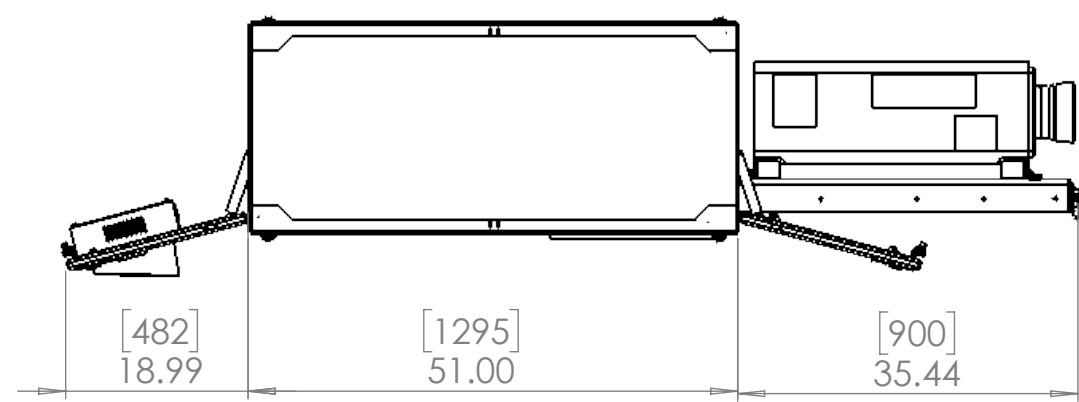
Power and Signal
Conduit Entries (PG21
International, US 3/4"
Trade Size)

Salt Fog Inlet
Filter - Do not
Obstruct



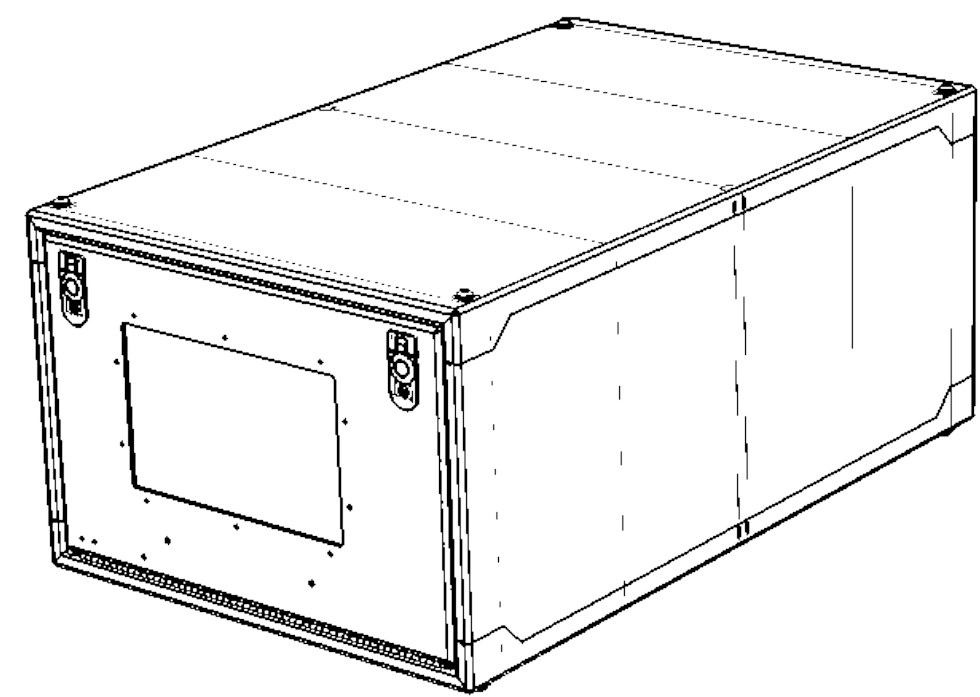
C

C



B

B



A

A

UNLESS OTHERWISE SPECIFIED:
DIMENSIONS ARE IN INCHES
TOLERANCES:
FRACTIONAL ±
ANGULAR: MACH ± BEND ±
TWO PLACE DECIMAL ±
THREE PLACE DECIMAL ±
INTERPRET GEOMETRIC
TOLERANCING PER:

MATERIAL

FINISH

DO NOT SCALE DRAWING

	NAME	DATE
DRAWN	TB	1/31/2018
CHECKED		
ENG APPR.		
MFG APPR.		
Q.A.		
COMMENTS:		



TITLE:
**Cyclone 210 Landscape
Enclosure**

SIZE	DWG. NO.	REV
B	55.210.L.xx	6.2

SCALE: 1:10 SHEET 1 OF 1

8 7 6 5 4 3 2 1