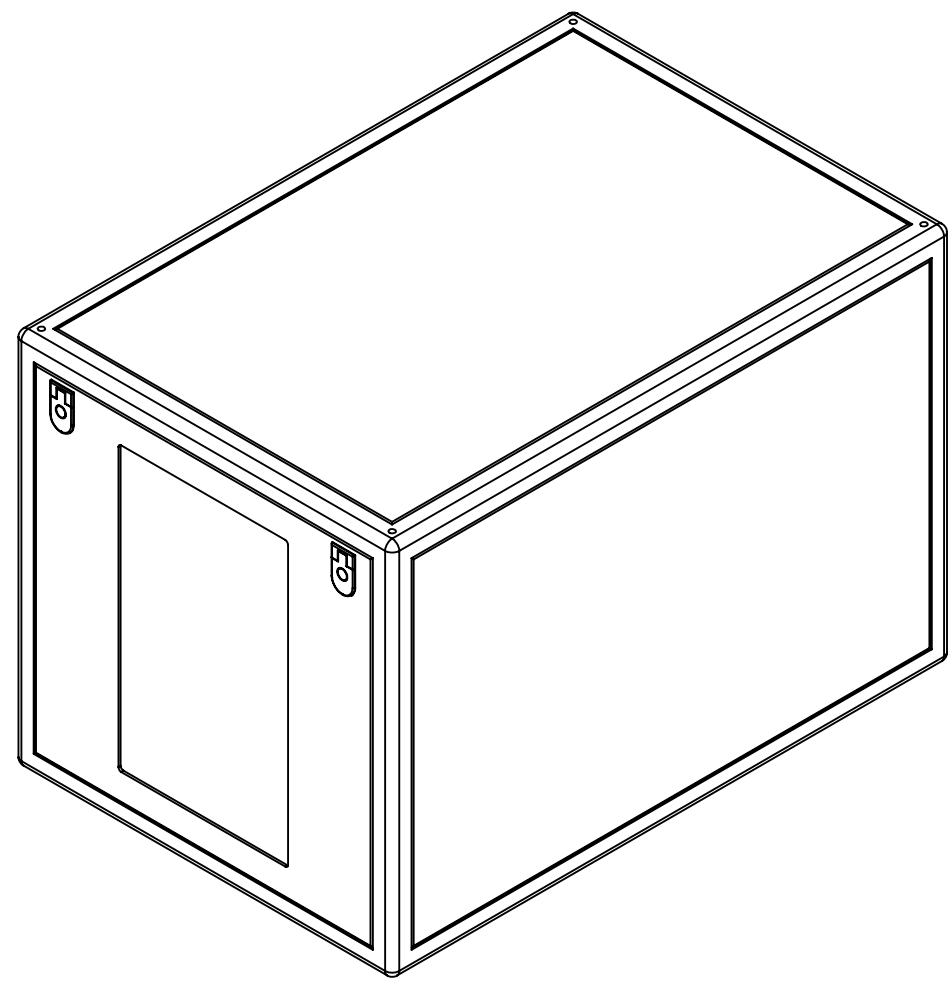


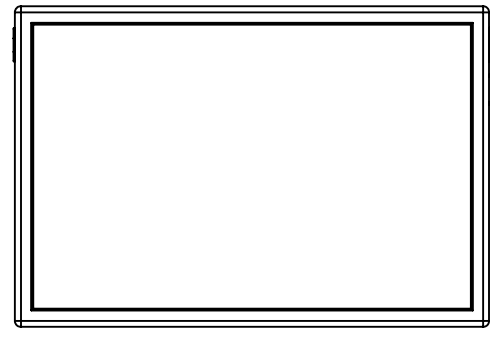
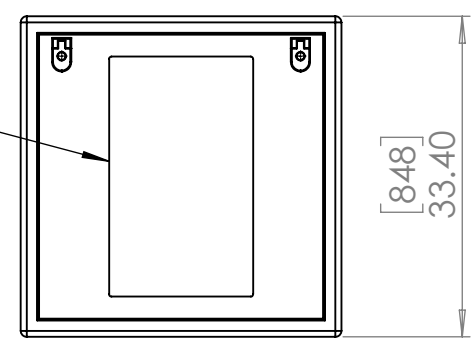
8 7 6 5 4 3 2 1

D
C
B
A

D
C
B
A

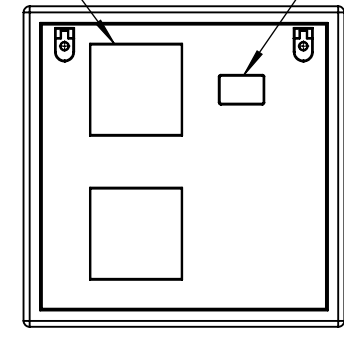


Tempered
Optical
Grade Port
Glass



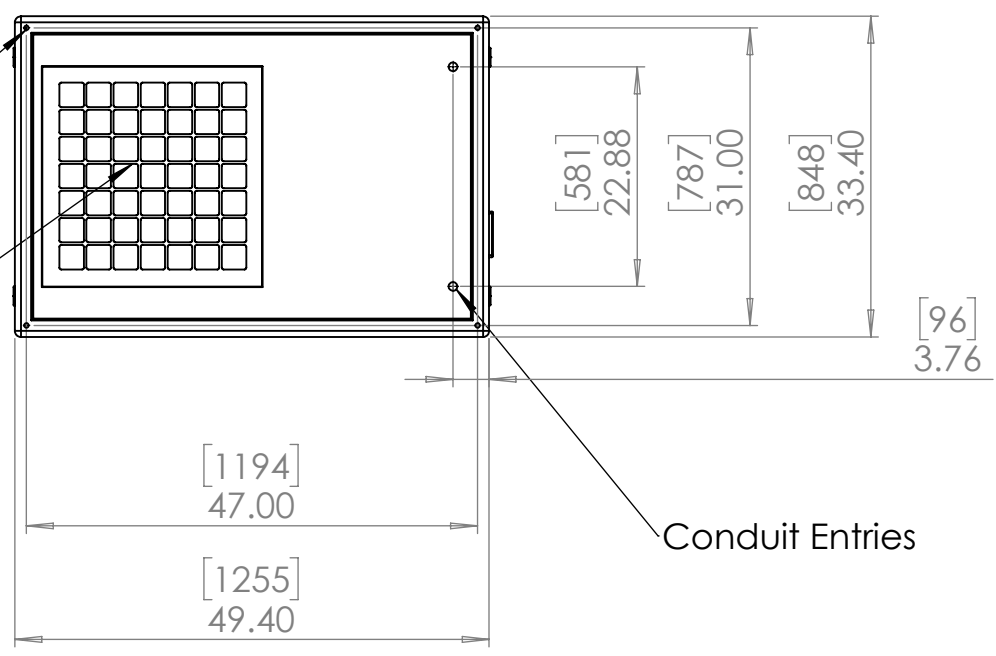
Exhaust Fan
Doors

DEC4 User
Interface



M12-1.75 x 38
mounting
sockets top
and bottom

Inlet Filter



Conduit Entries

UNLESS OTHERWISE SPECIFIED:
DIMENSIONS ARE IN INCHES
TOLERANCES:
FRACTIONAL ±
ANGULAR: MACH ± BEND ±
TWO PLACE DECIMAL ±
THREE PLACE DECIMAL ±
INTERPRET GEOMETRIC
TOLERANCING PER:
MATERIAL
Aluminum & SS
FINISH
Lt Bronze
DO NOT SCALE DRAWING

	NAME	DATE
DRAWN	TB	12/5/2016
CHECKED		
ENG APPR.		
MFG APPR.		
Q.A.		
COMMENTS:		



TITLE Cyclone G4 202 for 2 x
Panasonic PT-DZ21K

SIZE DWG. NO. REV
B 55.202.L.xx 02

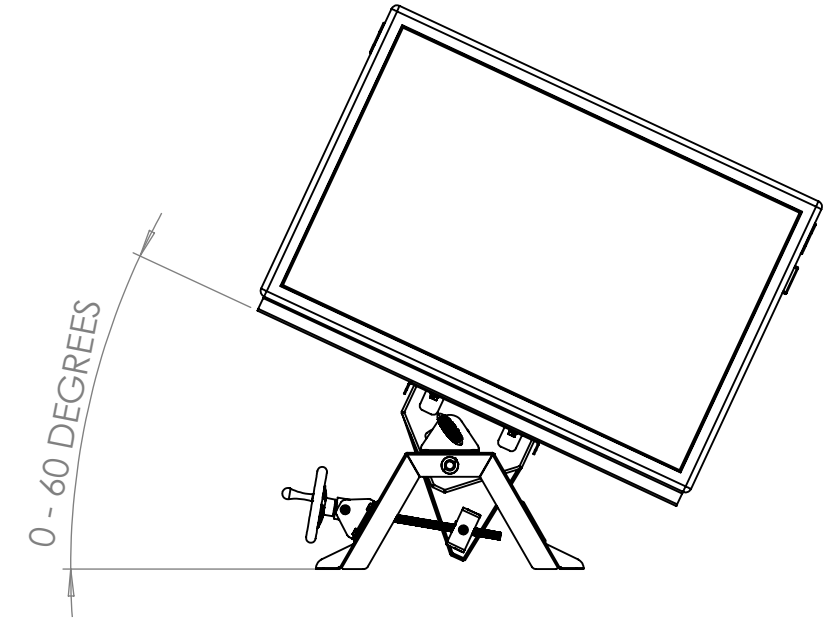
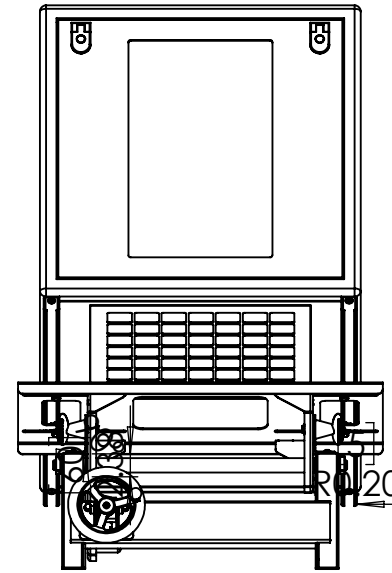
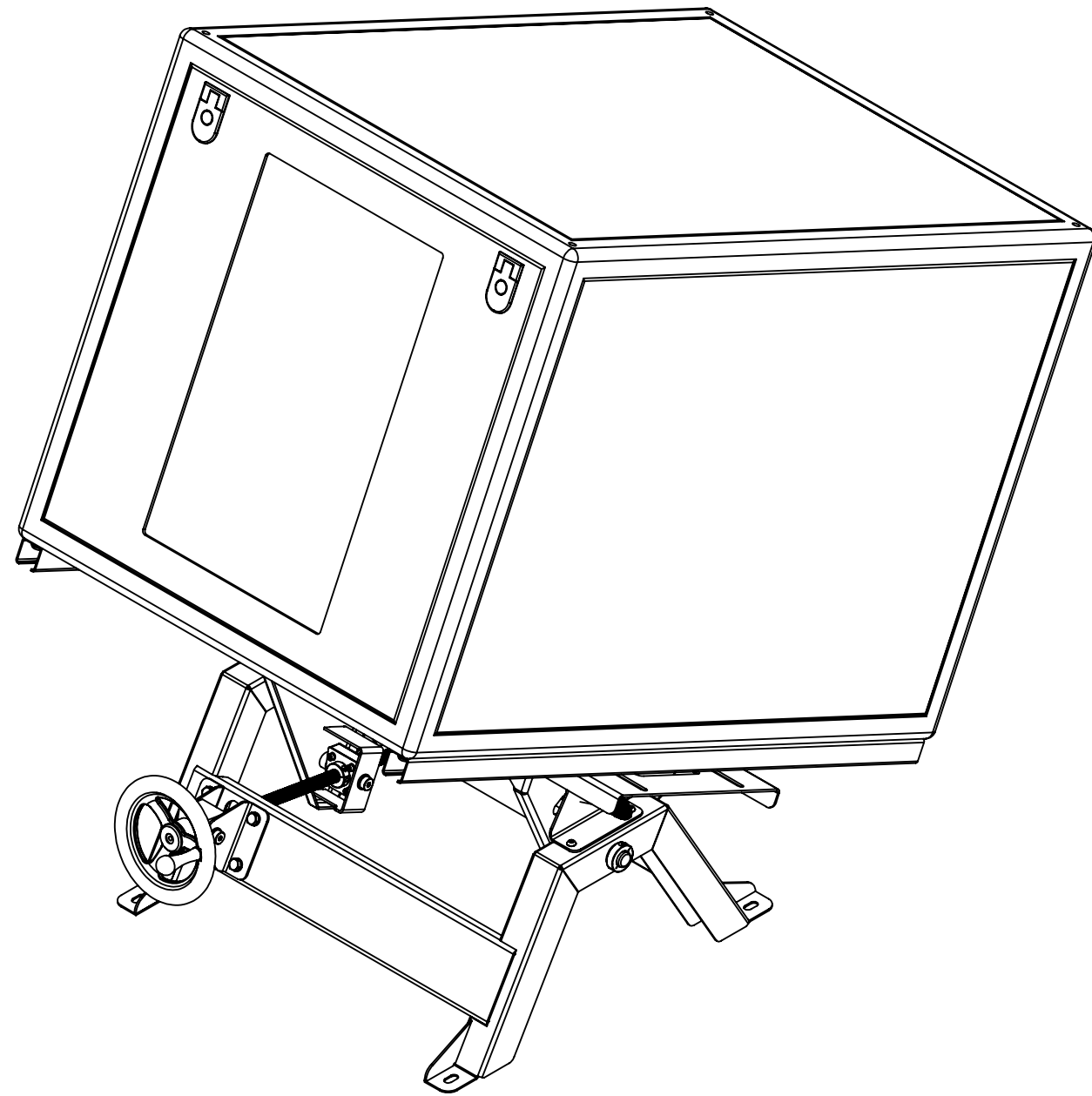
SCALE: 1:20 SHEET 1 OF 2

8 7 6 5 4 3 2 1

8 7 6 5 4 3 2 1

D
C
B
A

D
C
B
A



CYCLOVATOR 2 WITH CYCLONE G4 55.202

See Drawing 55.C2 for Cyclovator Detail

Note: Requires Unistrut Kit 55.UR.200

UNLESS OTHERWISE SPECIFIED:
 DIMENSIONS ARE IN INCHES
 TOLERANCES:
 FRACTIONAL ±
 ANGULAR: MACH ± BEND ±
 TWO PLACE DECIMAL ±
 THREE PLACE DECIMAL ±
 INTERPRET GEOMETRIC
 TOLERANCING PER:
 MATERIAL
 10 ga CRS
 FINISH
 Zinc Plate and
 Powder Coat BK01
 DO NOT SCALE DRAWING

	NAME	DATE
DRAWN	TB	12/5/2016
CHECKED		
ENG APPR.		
MFG APPR.		
Q.A.		
COMMENTS:		



TITLE: Cyclovator 2		
SIZE B	DWG. NO. 55.C2	REV 02
SCALE: 1:20		SHEET 2 OF 2