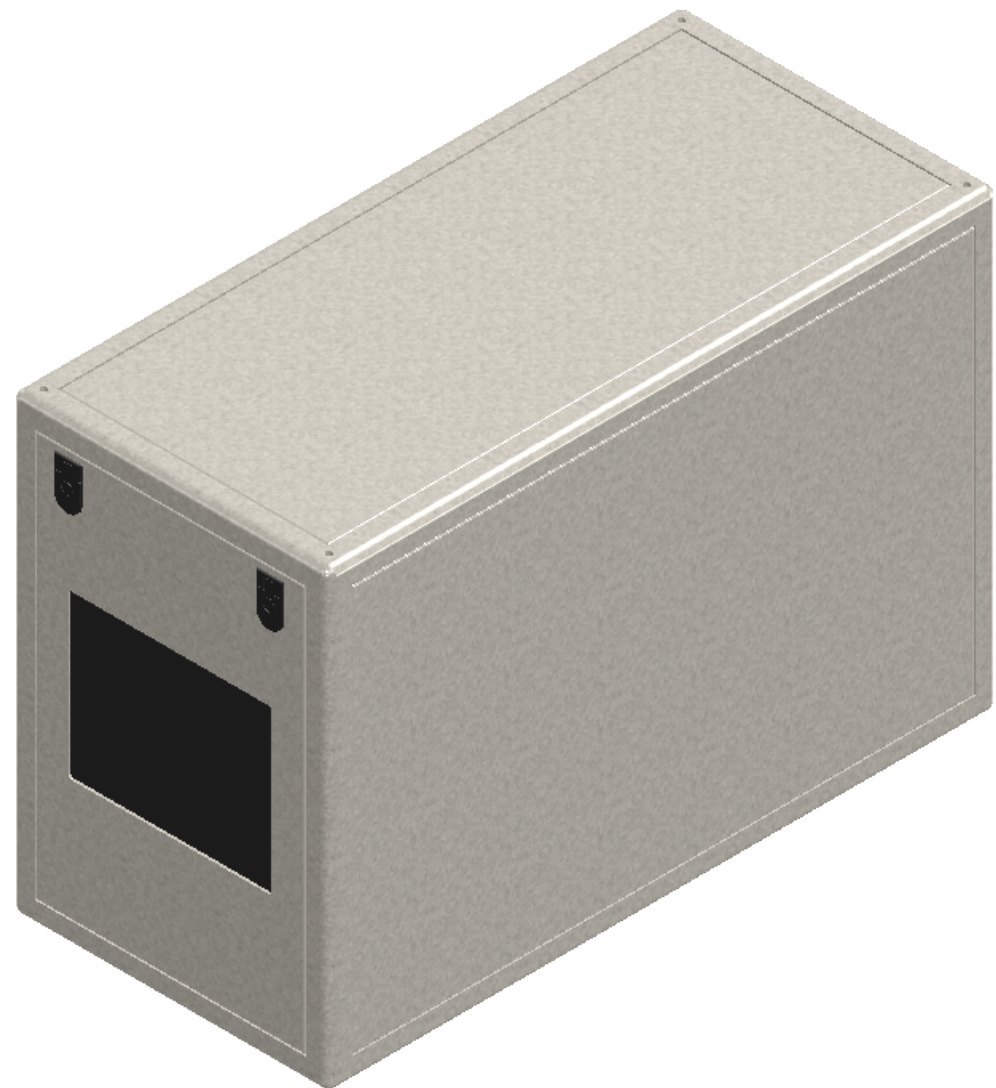
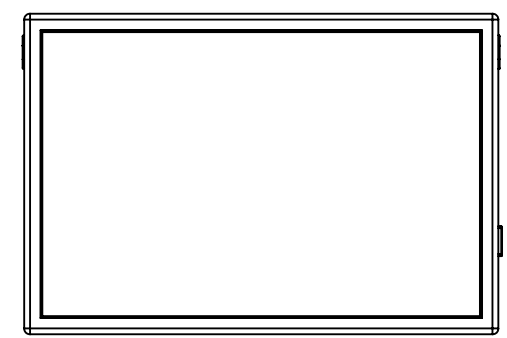
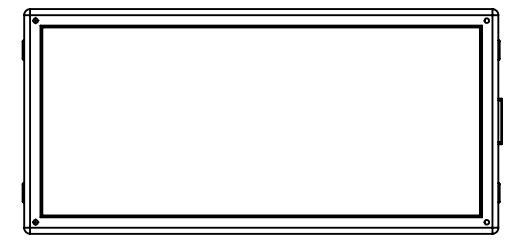
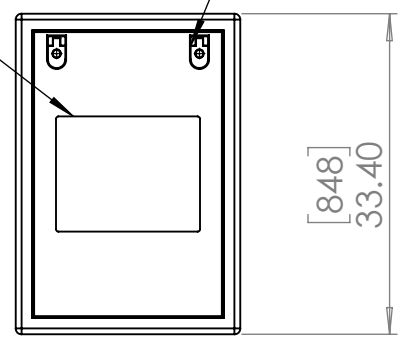


8 7 6 5 4 3 2 1

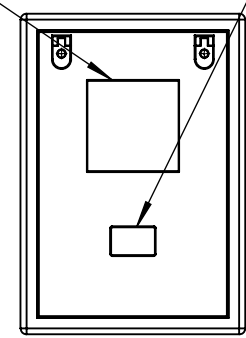
D
C
B
A



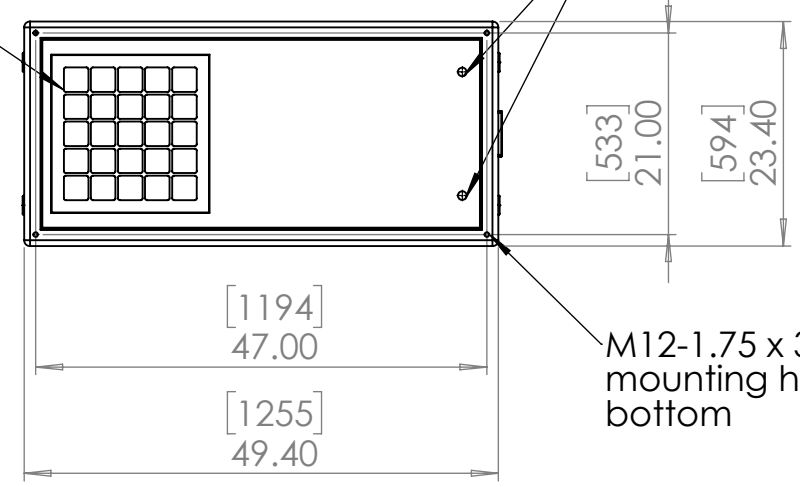
Optical Grade Tempered Port Glass
Lockable Latches front and back doors



Fan door opens when fan is running
DEC4 User Interface



Inlet Filter
Power and Signal Conduit Entries, PG21/US 3/4"



M12-1.75 x 38 Threaded mounting holes, top and bottom

UNLESS OTHERWISE SPECIFIED:
DIMENSIONS ARE IN INCHES
TOLERANCES:
FRACTIONAL ±
ANGULAR: MACH ± BEND ±
TWO PLACE DECIMAL ±
THREE PLACE DECIMAL ±
INTERPRET GEOMETRIC TOLERANCING PER:
MATERIAL
Aluminum & SS
FINISH
Lt Bronze
DO NOT SCALE DRAWING

	NAME	DATE
DRAWN	TB	12/9/2016
CHECKED		
ENG APPR.		
MFG APPR.		
Q.A.		
COMMENTS:		



TITLE: Cyclone G4 200 for Panasonic PT-DZ21K, Portrait		
SIZE B	DWG. NO. 55.200.P.xx	REV 02
SCALE: 1:20		SHEET 1 OF 1

8 7 6 5 4 3 2 1