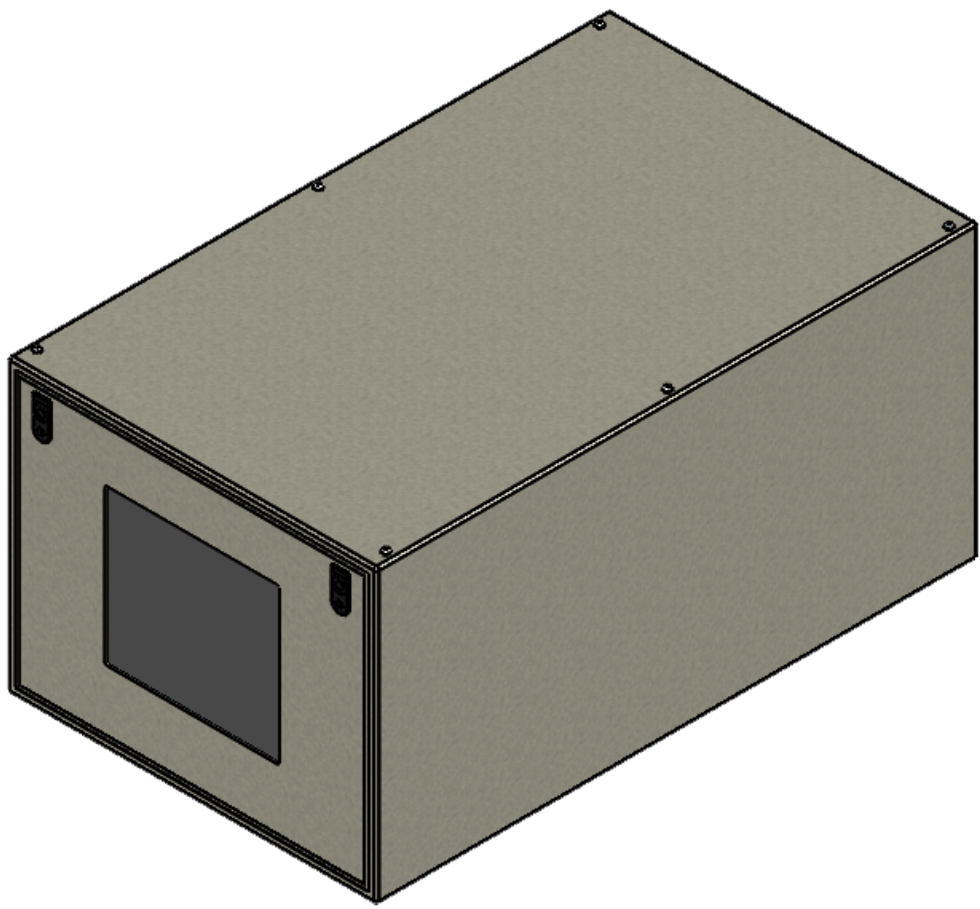
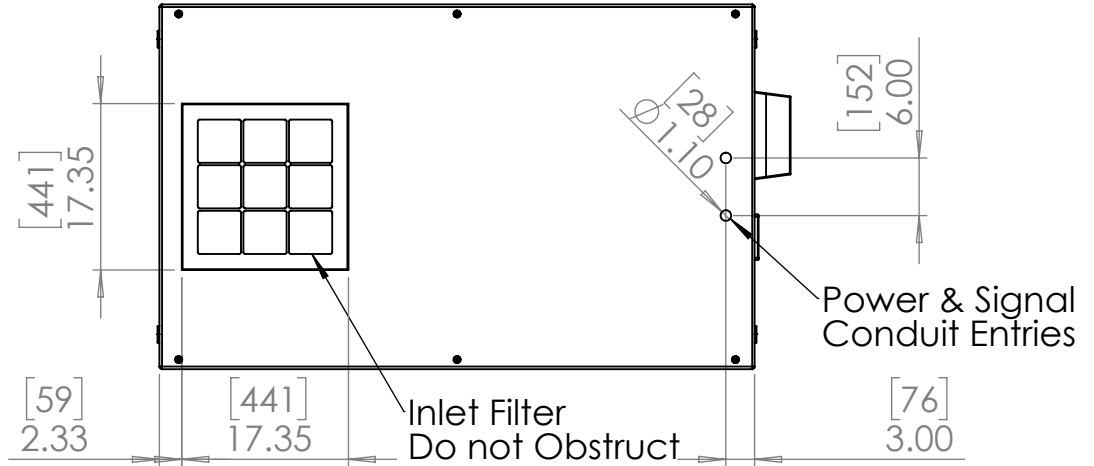
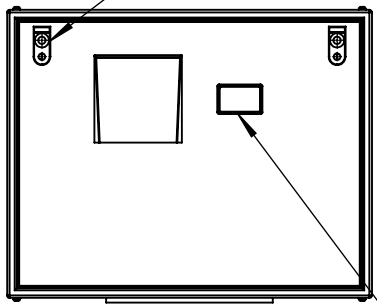
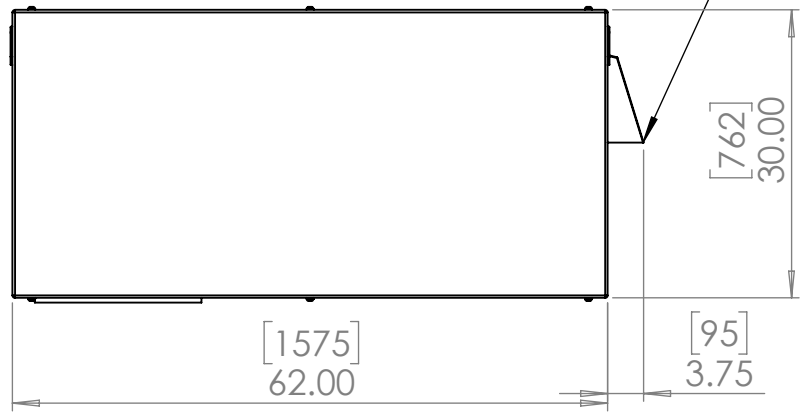
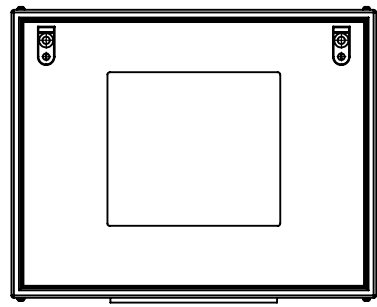
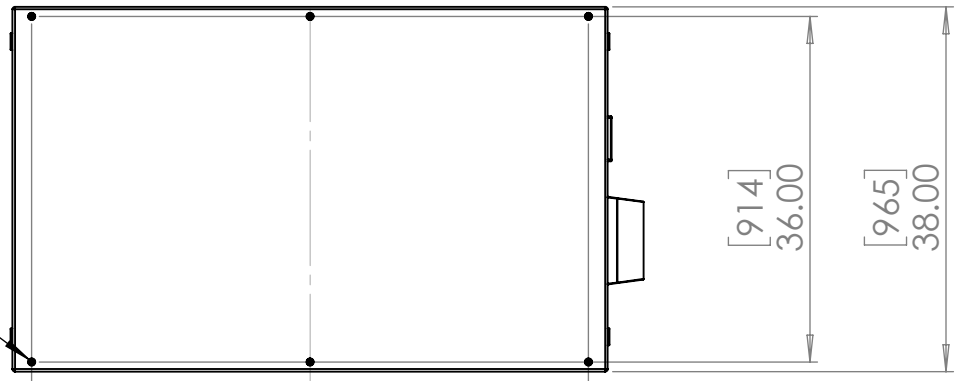


8 7 6 5 4 3 2 1

D
C
B
A

D
C
B
A

Rigging Points:
M12-1.75, 6 places top and bottom



UNLESS OTHERWISE SPECIFIED:
DIMENSIONS ARE IN INCHES
TOLERANCES:
FRACTIONAL: ±
ANGULAR: MACH ± BEND ±
TWO PLACE DECIMAL ±
THREE PLACE DECIMAL ±
INTERPRET GEOMETRIC TOLERANCING PER:
MATERIAL
FINISH
DO NOT SCALE DRAWING

	NAME	DATE
DRAWN	TB	5/4/2018
CHECKED		
ENG APPR.		
MFG APPR.		
Q.A.		
COMMENTS:		



TITLE: Cyclone 55.320 Landscape Enclosure

SIZE	DWG. NO.	REV
B	55.320.L.xx	7.0

SCALE: 1:10 SHEET 1 OF 1