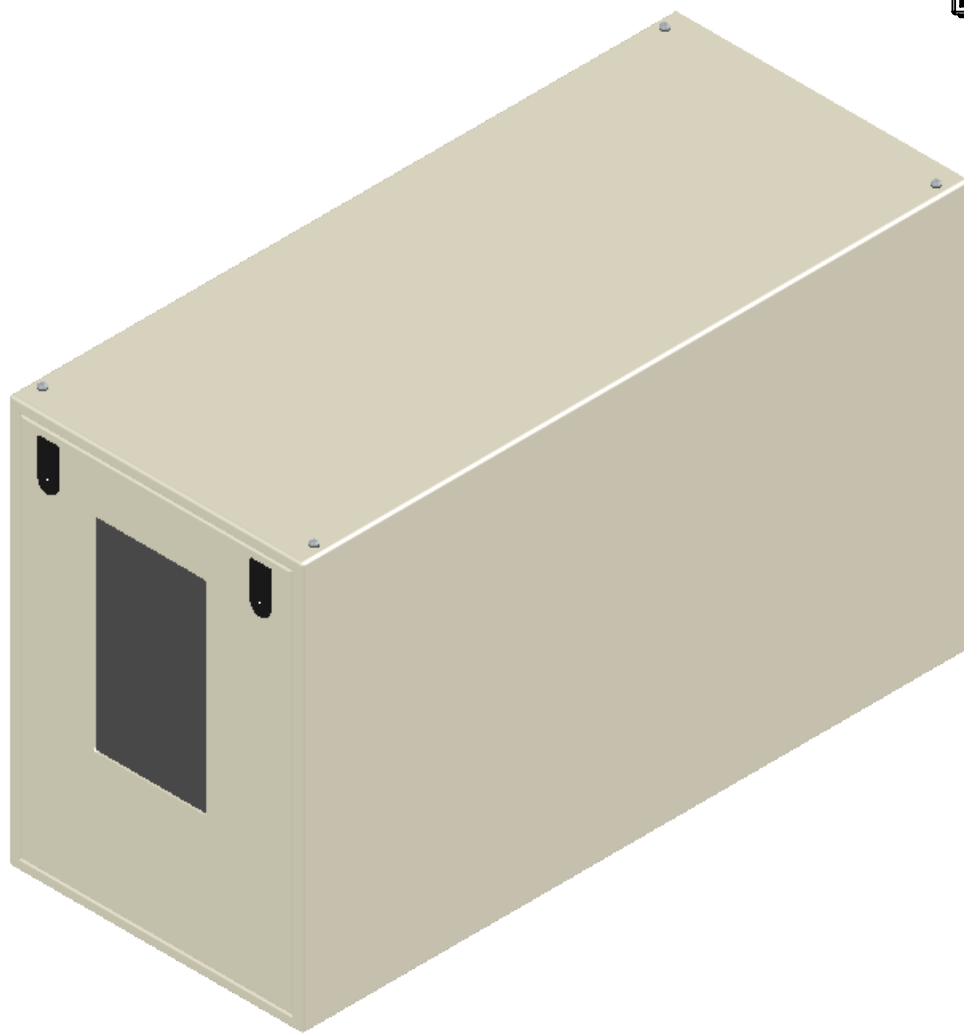


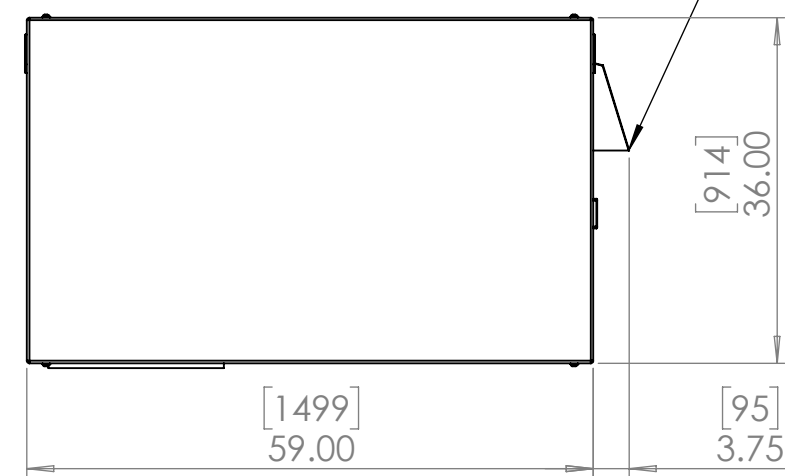
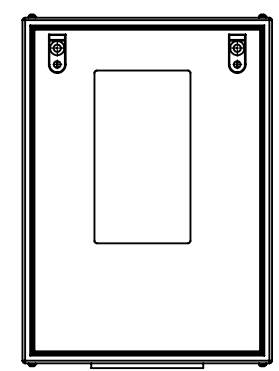
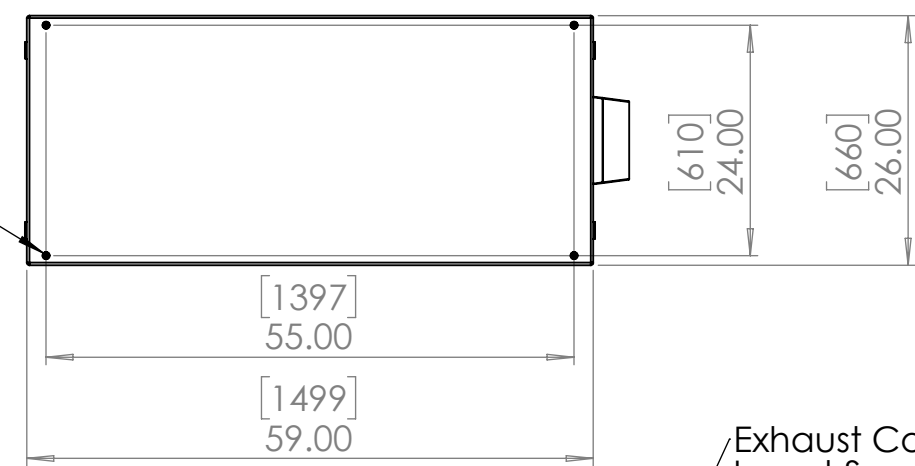
8 7 6 5 4 3 2 1

D  
C  
B  
A

D  
C  
B  
A

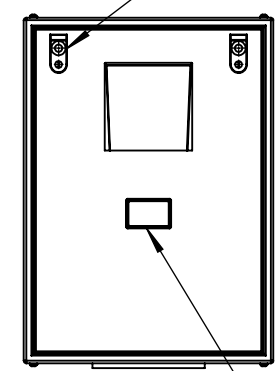


Rigging Points:  
M12-1.75, 4 places top and bottom

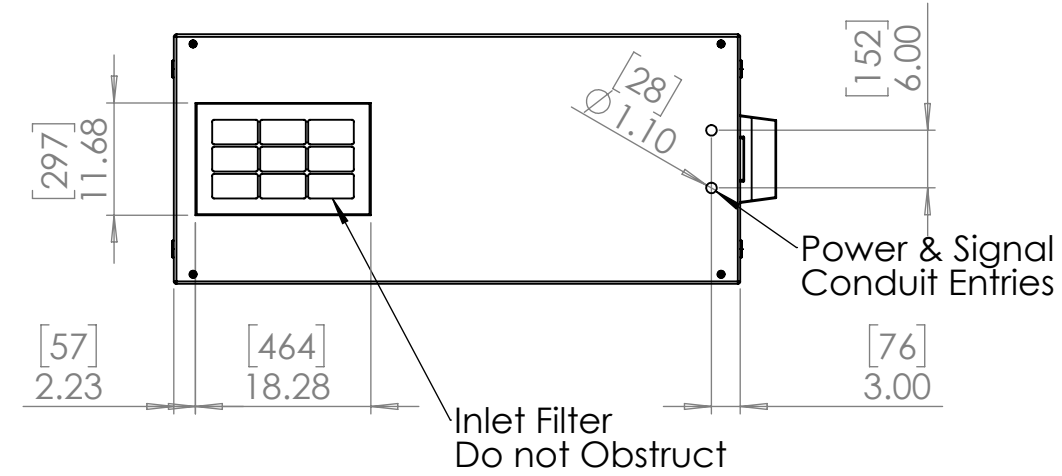


Exhaust Cowl/  
Insect Screen

Lockable latches  
front and back



User Interface



Power & Signal  
Conduit Entries

Inlet Filter  
Do not Obstruct

UNLESS OTHERWISE SPECIFIED:  
DIMENSIONS ARE IN INCHES  
TOLERANCES:  
FRACTIONAL: ±  
ANGULAR: MACH ± BEND ±  
TWO PLACE DECIMAL ±  
THREE PLACE DECIMAL ±  
INTERPRET GEOMETRIC  
TOLERANCING PER:  
MATERIAL  
FINISH  
DO NOT SCALE DRAWING

	NAME	DATE
DRAWN	TB	5/4/2018
CHECKED		
ENG APPR.		
MFG APPR.		
Q.A.		
COMMENTS:		



TITLE:  
Cyclone 55.310 Portrait  
Enclosure

SIZE	DWG. NO.	REV
<b>B</b>	55.310.P.xx6.1	

SCALE: 1:10 SHEET 1 OF 1

8 7 6 5 4 3 2 1