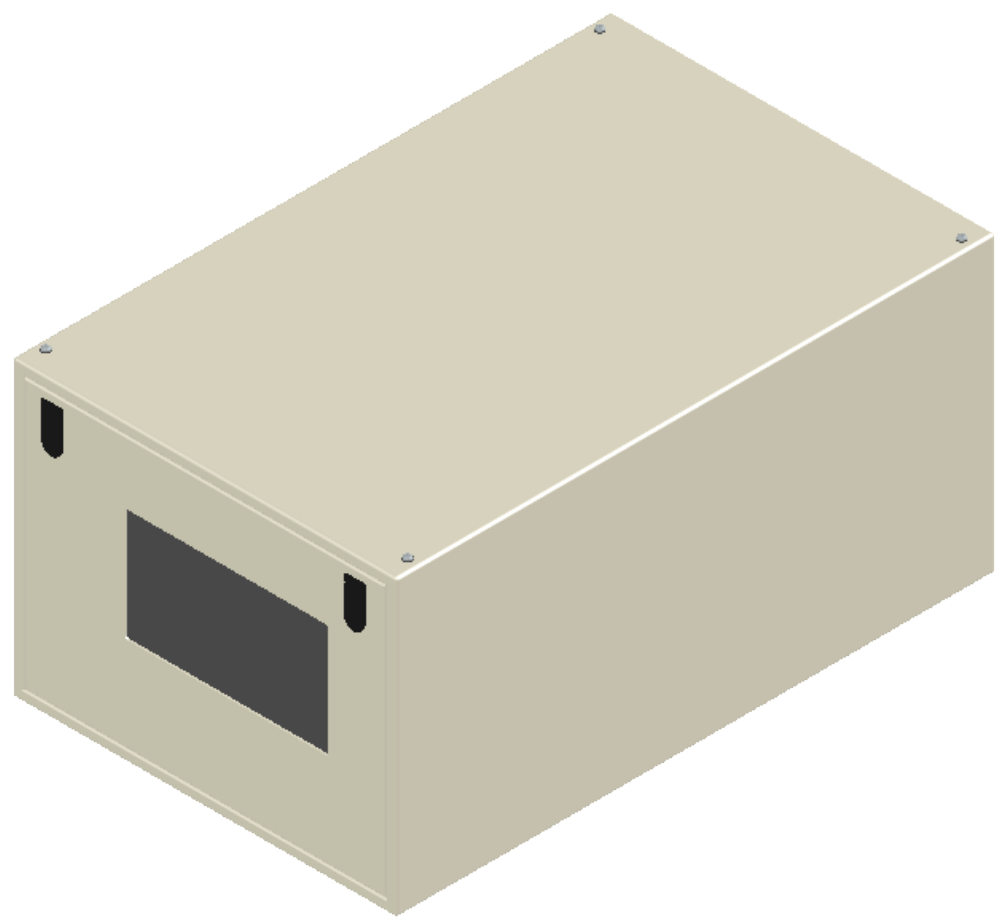


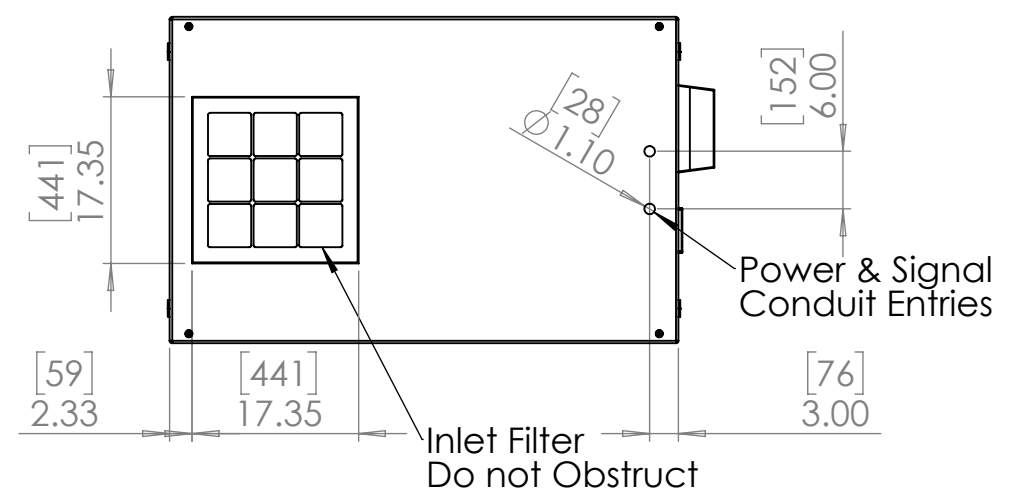
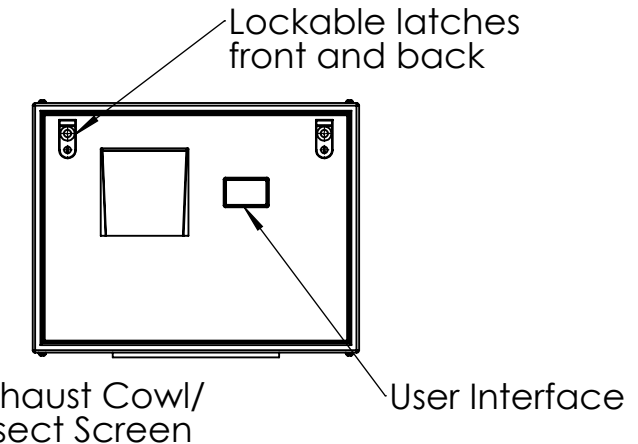
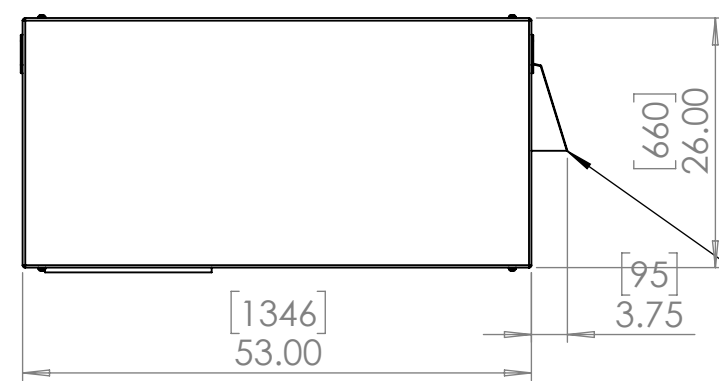
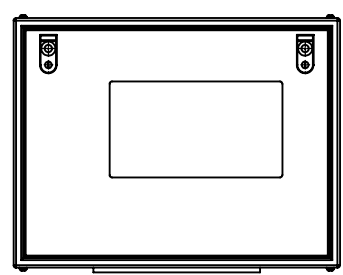
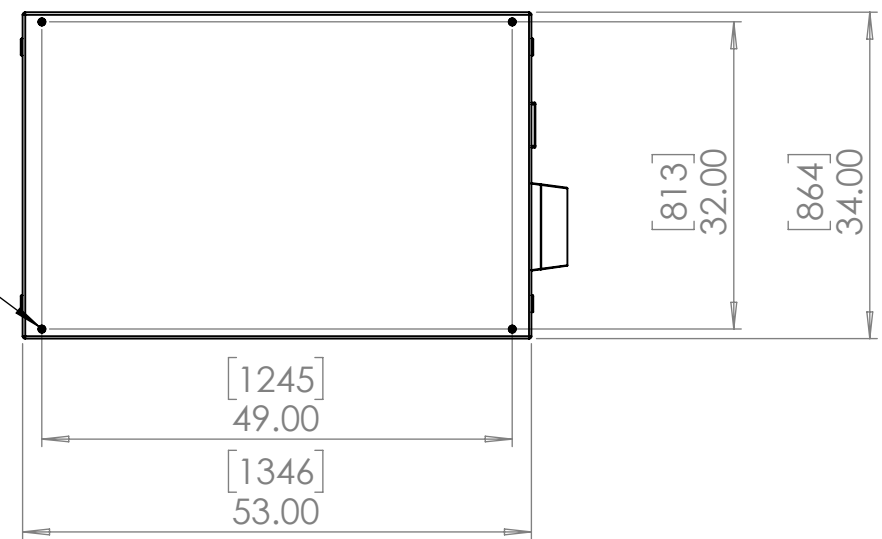
8 7 6 5 4 3 2 1

D  
C  
B  
A

D  
C  
B  
A



Rigging Points:  
M12-1.75, 4 places top and bottom



UNLESS OTHERWISE SPECIFIED:  
DIMENSIONS ARE IN INCHES  
TOLERANCES:  
FRACTIONAL ±  
ANGULAR: MACH ± BEND ±  
TWO PLACE DECIMAL ±  
THREE PLACE DECIMAL ±  
INTERPRET GEOMETRIC TOLERANCING PER:  
MATERIAL  
FINISH  
DO NOT SCALE DRAWING

	NAME	DATE
DRAWN	TB	5/4/2018
CHECKED		
ENG APPR.		
MFG APPR.		
Q.A.		
COMMENTS:		



TITLE: Cyclone 55.240 Landscape Enclosure		
SIZE <b>B</b>	DWG. NO. 55.240.L.xx 6.1	REV
SCALE: 1:10		SHEET 1 OF 1