

8 7 6 5 4 3 2 1

D

C

B

A

D

C

B

A

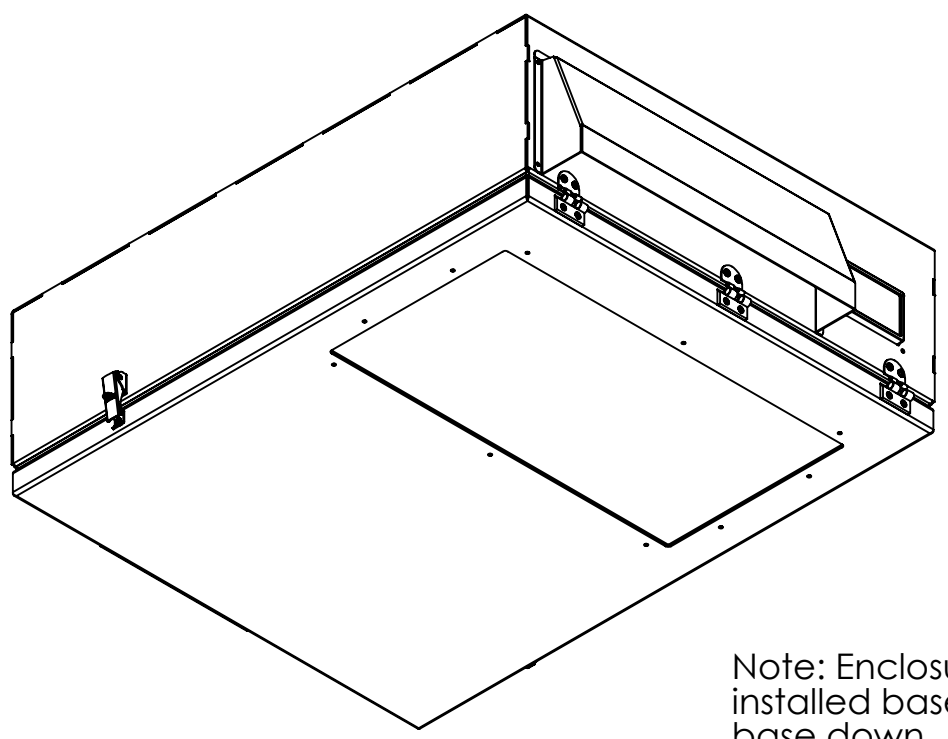
M10 Rigging Points

Exhaust Cowl

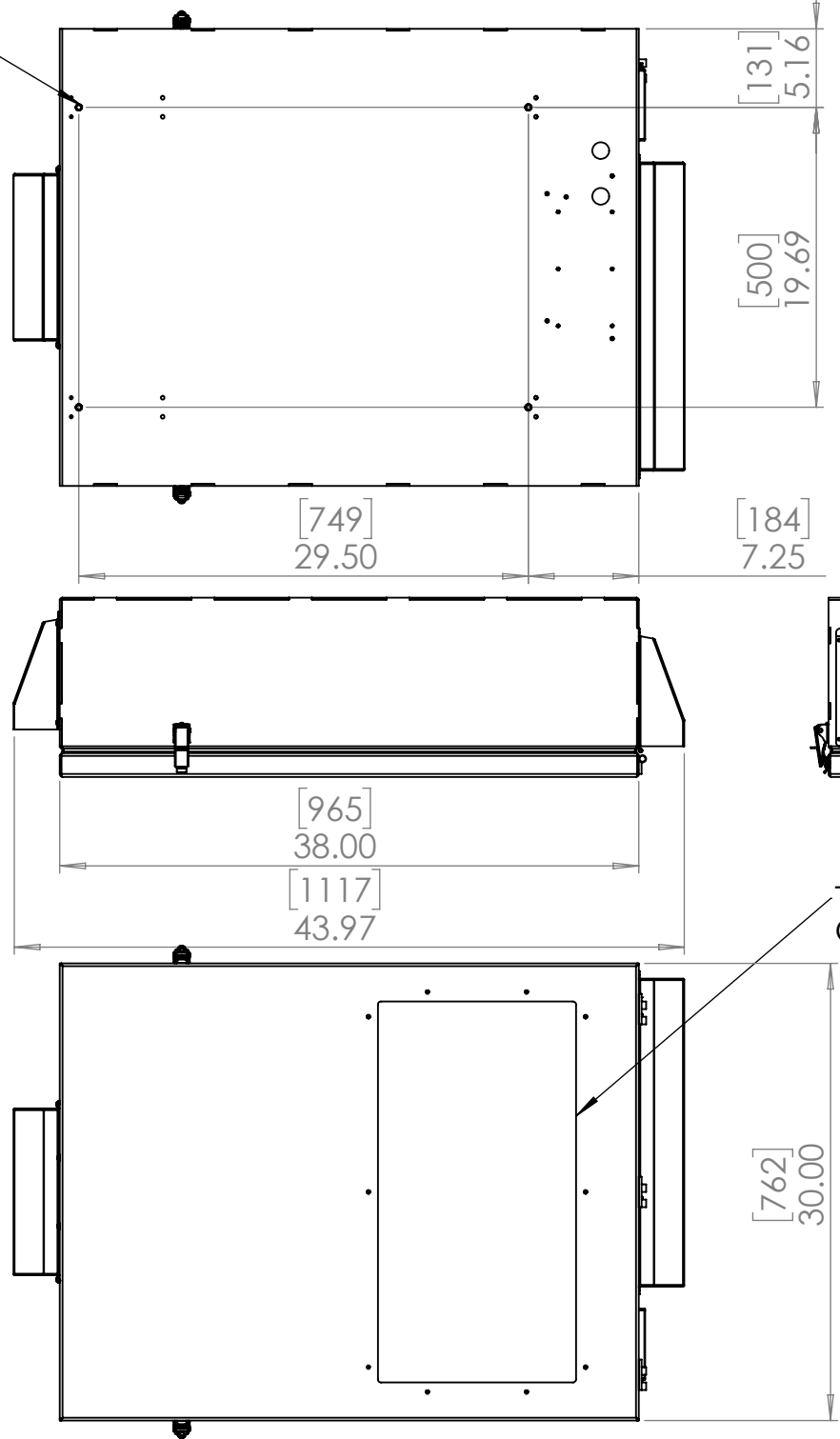
Filtered Inlet Cowl

DEC User Interface

Tempered Optical Grade Port Glass




Note: Enclosure may be installed base up (as shown) or base down



UNLESS OTHERWISE SPECIFIED:
 DIMENSIONS ARE IN INCHES
 TOLERANCES:
 FRACTIONAL ±
 ANGULAR: MACH ± BEND ±
 TWO PLACE DECIMAL ±
 THREE PLACE DECIMAL ±
 INTERPRET GEOMETRIC TOLERANCING PER:
 MATERIAL
 Aluminum
 FINISH
 Powder Coat Lt Bronze
 DO NOT SCALE DRAWING

| | NAME | DATE |
|-----------|------|-----------|
| DRAWN | TB | 11/7/2017 |
| CHECKED | | |
| ENG APPR. | | |
| MFG APPR. | | |
| Q.A. | | |
| COMMENTS: | | |



TEMPEST
lighting inc.

TITLE:
Blizzard 100 UST Enclosure

| SIZE | DWG. NO. | REV |
|----------|--------------------|-----------|
| B | 52.100.U.xx | 05 |

SCALE: 1:10 SHEET 1 OF 1

8 7 6 5 4 3 2 1