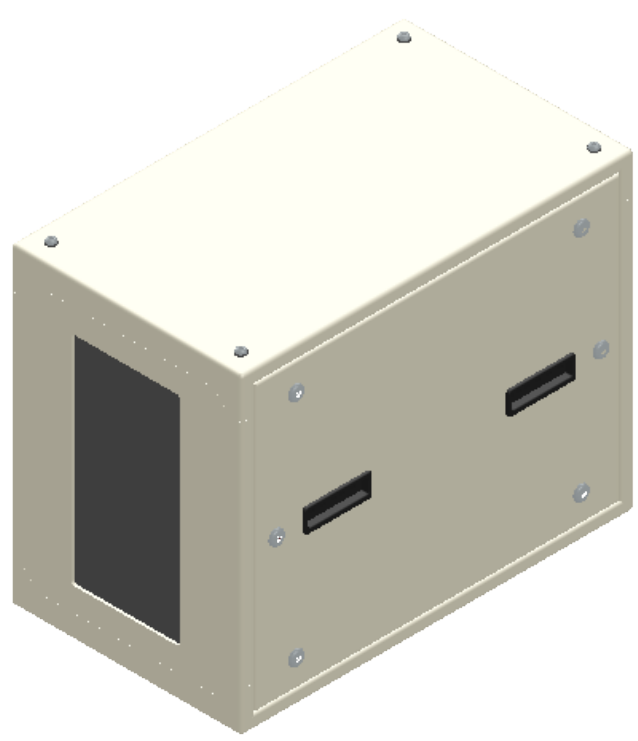
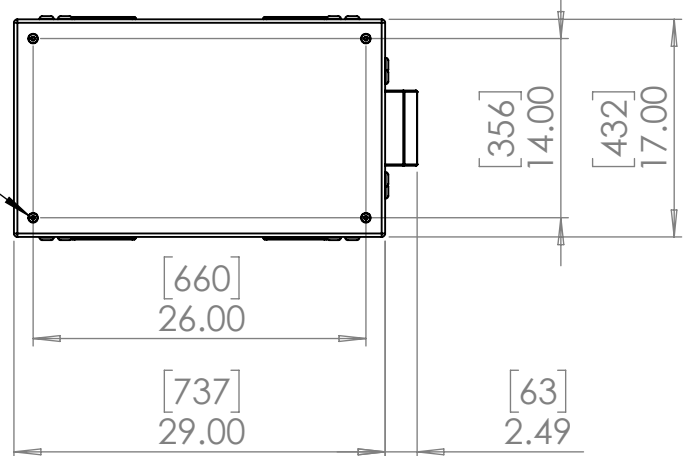


8 7 6 5 4 3 2 1

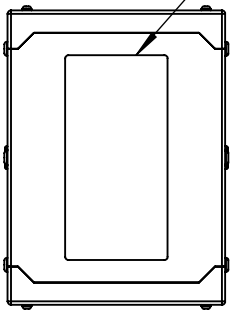
D
C
B
A



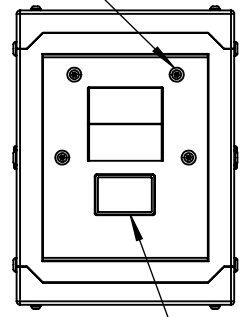
Rigging Points:
4 x M10-1.5 Top
and Bottom



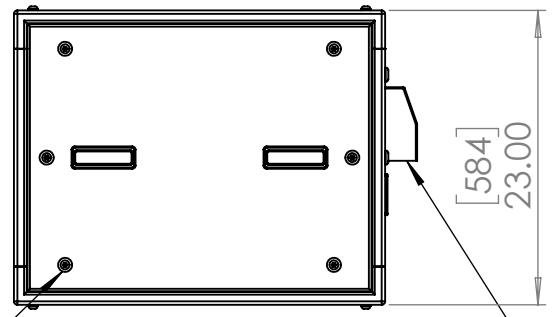
Optical Grade
Tempered Port
Glass



Lockable Back
Door for Lamp
Access

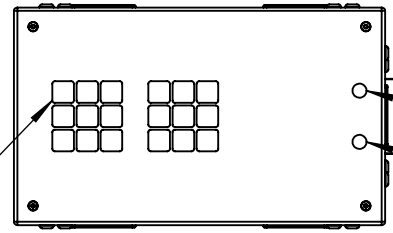


Removable
Locking Side
Panels



Exhaust Cowl
& Insect
Screen

Standard Salt
Fog Inlet Filters



Signal Conduit Entry
Power Conduit Entry
(US 3/4", Int PG21)

UNLESS OTHERWISE SPECIFIED:
DIMENSIONS ARE IN INCHES
TOLERANCES:
FRACTIONAL: ±
ANGULAR: MACH ± BEND ±
TWO PLACE DECIMAL ±
THREE PLACE DECIMAL ±
INTERPRET GEOMETRIC
TOLERANCING PER:
MATERIAL
FINISH
DO NOT SCALE DRAWING

	NAME	DATE
DRAWN	TB	8/26/2017
CHECKED		
ENG APPR.		
MFG APPR.		
Q.A.		
COMMENTS:		



TITLE:
**Blizzard 52.050 Portrait
Enclosure**

SIZE	DWG. NO.	REV
B	52.050.Px.xx	05

SCALE: 1:10 SHEET 1 OF 1

8 7 6 5 4 3 2 1