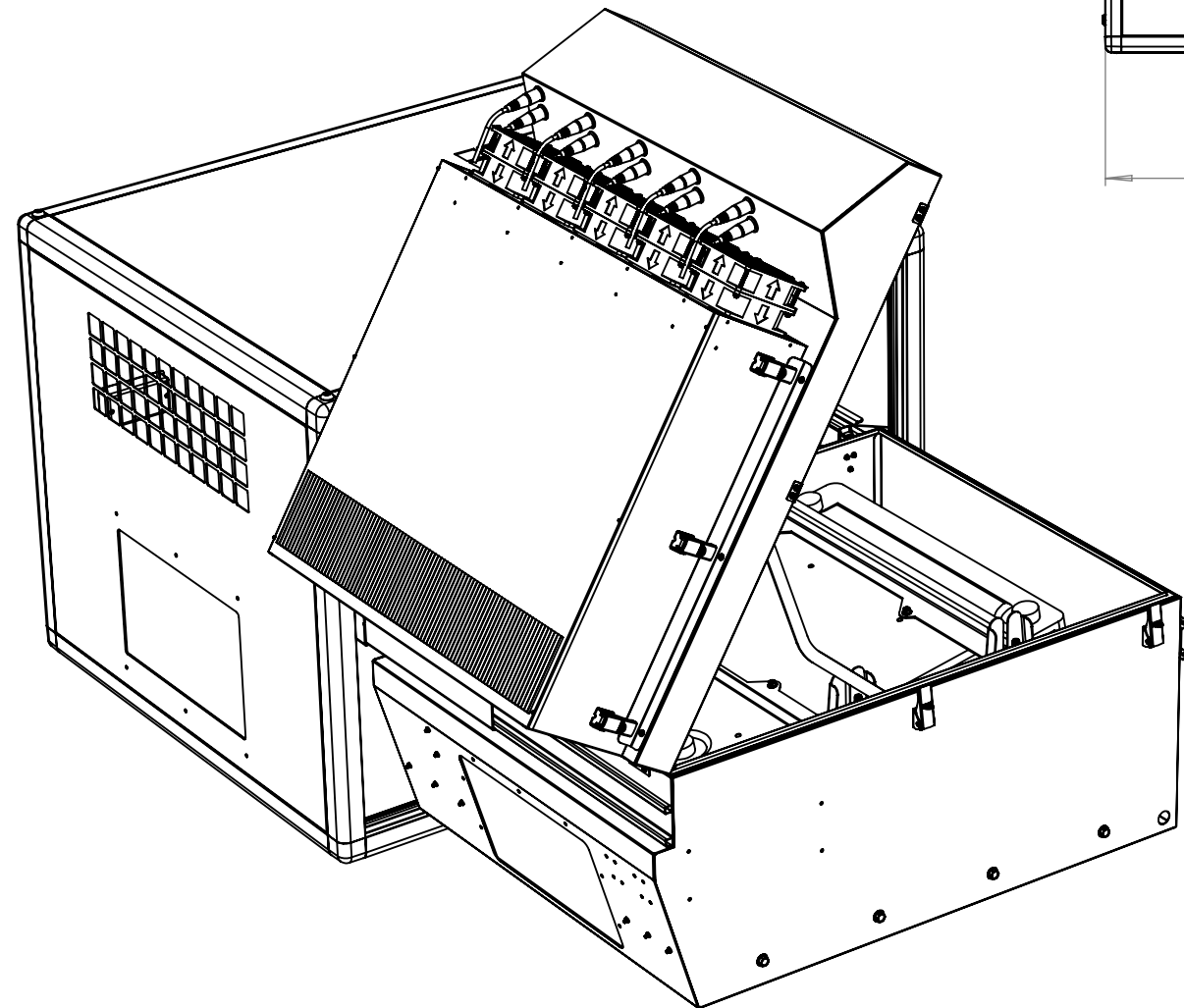
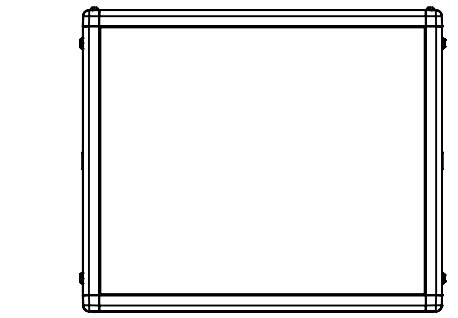
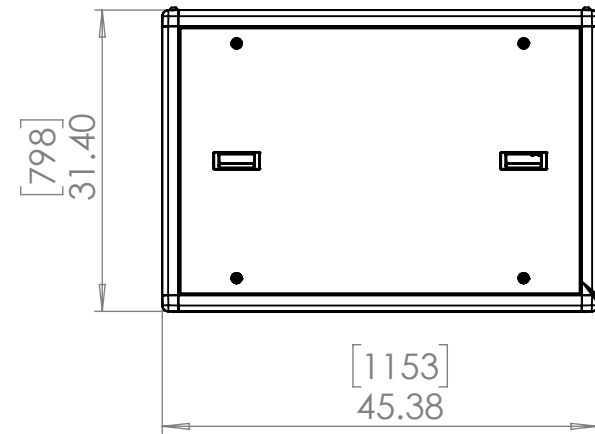
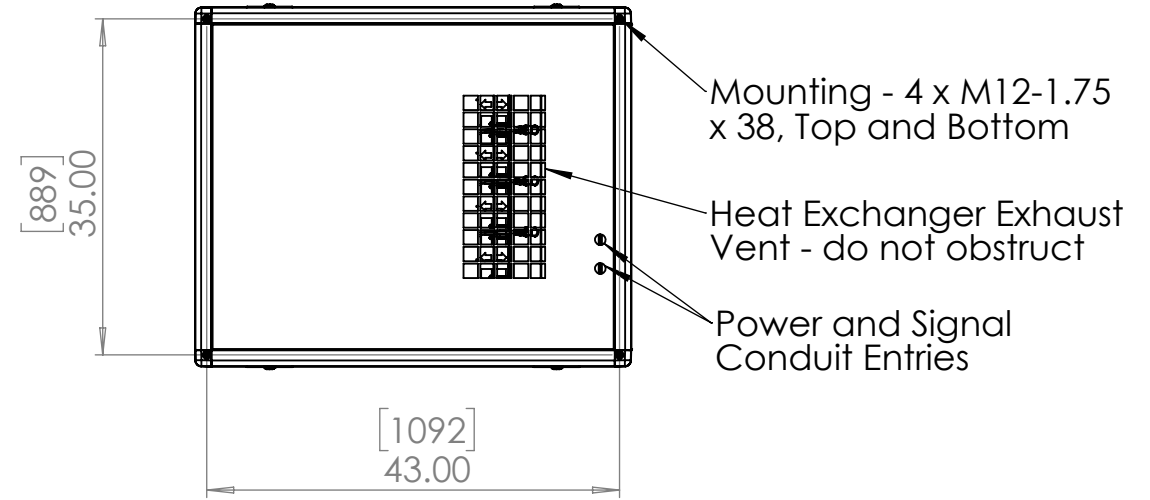
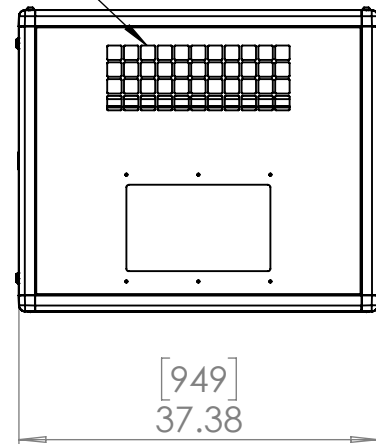


KEY FEATURES:

1. Inner Projector housing - IP65, 1-hour fire rating
2. Inner housing slides out for easy access
3. 2,000W rated crossflow heat exchanger
4. Variable speed thermostatically controlled fans for long life/low noise
5. Safe continuous operation in ambients up to 3 degrees below projector environmental limit
6. Remote monitoring and configuration over RS485 or Ethernet



Inlet Vent - do not obstruct




Removable, lockable Side Panels

Service Position:
Inner housing
slides out for
easy access to
projector and
ancillary
electronics

UNLESS OTHERWISE SPECIFIED:
DIMENSIONS ARE IN INCHES
TOLERANCES:
FRACTIONAL ±
ANGULAR: MACH ± BEND ±
TWO PLACE DECIMAL ±
THREE PLACE DECIMAL ±
INTERPRET GEOMETRIC
TOLERANCING PER:
MATERIAL
FINISH
DO NOT SCALE DRAWING

	NAME	DATE
DRAWN	TB	3/14/2017
CHECKED		
ENG APPR.		
MFG APPR.		
Q.A.		
COMMENTS:		



TITLE:
Tempest Metro Enclosure

SIZE	DWG. NO.	REV
B	7745.MM	02

SCALE: 1:20 SHEET 1 OF 1