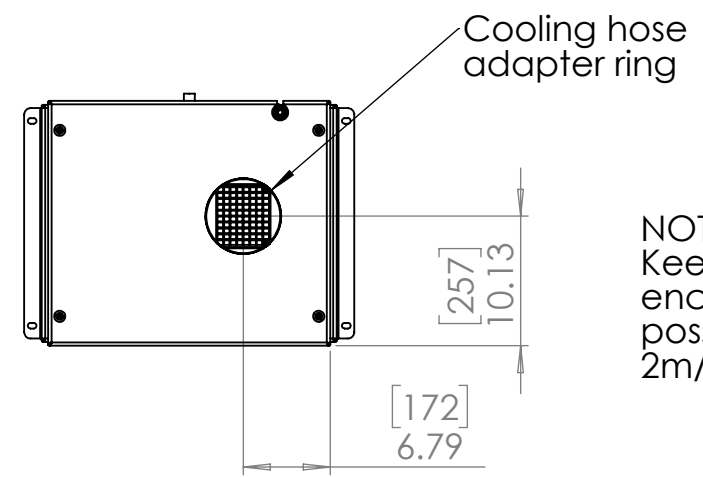
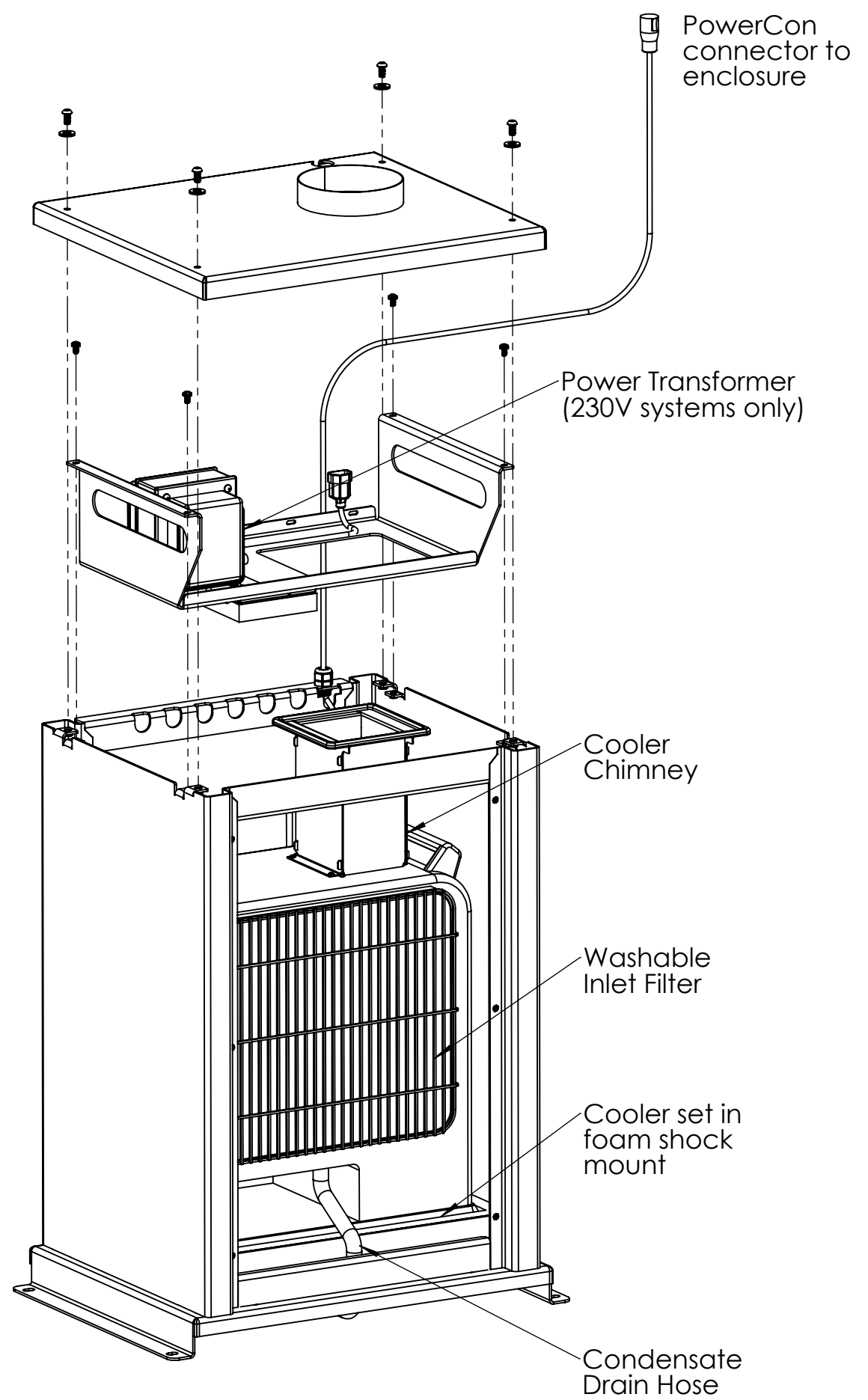
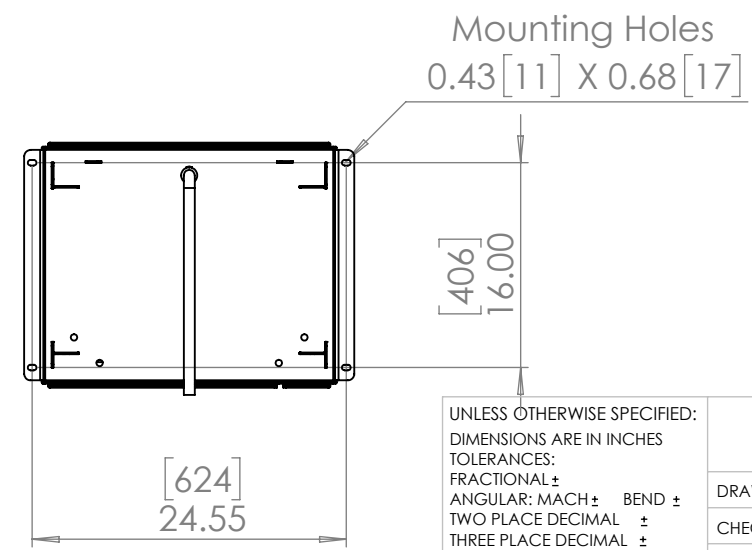
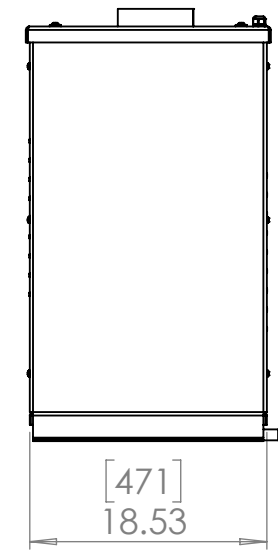
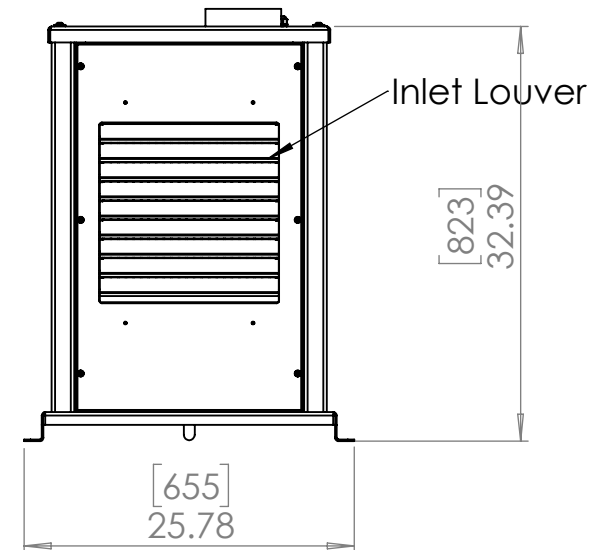


8 7 6 5 4 3 2 1

D
C
B
A



NOTE:
Keep hose length to enclosure as short as possible, preferably < 2m/6ft.



UNLESS OTHERWISE SPECIFIED:
DIMENSIONS ARE IN INCHES
TOLERANCES:
FRACTIONAL ±
ANGULAR: MACH ± BEND ±
TWO PLACE DECIMAL ±
THREE PLACE DECIMAL ±
INTERPRET GEOMETRIC TOLERANCING PER:
MATERIAL
Aluminum
FINISH
Powder Coat Light Bronze
DO NOT SCALE DRAWING

	NAME	DATE
DRAWN	TB	6/6/2019
CHECKED		
ENG APPR.		
MFG APPR.		
Q.A.		
COMMENTS:		

TEMPEST
lighting inc.

TITLE:
AC Assist Cooler

SIZE B	DWG. NO. 55.AC1.xx	REV 19
------------------	------------------------------	------------------

SCALE: 1:20 SHEET 1 OF 1

8 7 6 5 4 3 2 1