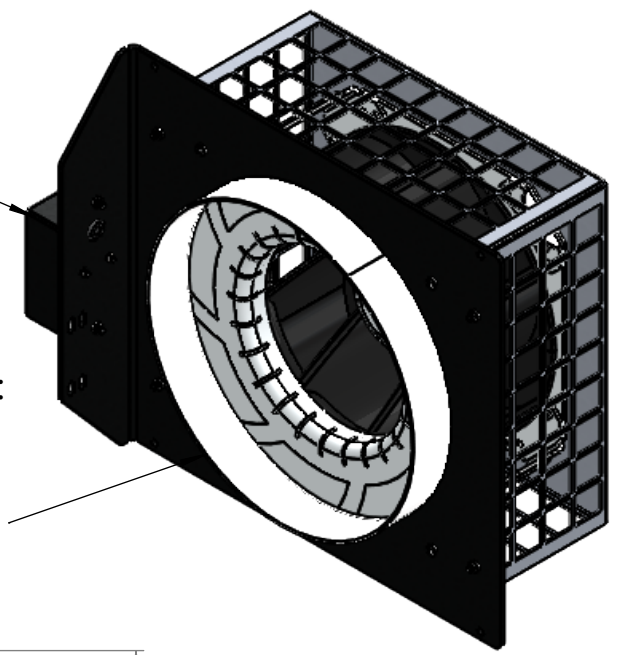


8 7 6 5 4 3 2 1

D
C
B
A

D
C
B
A

Terminal Cover:
connect with 4-
conductor
1.5mm/16AWG wire to
enclosure controller.
Note: max voltage
48Vdc - may be pulled
through exhaust duct.

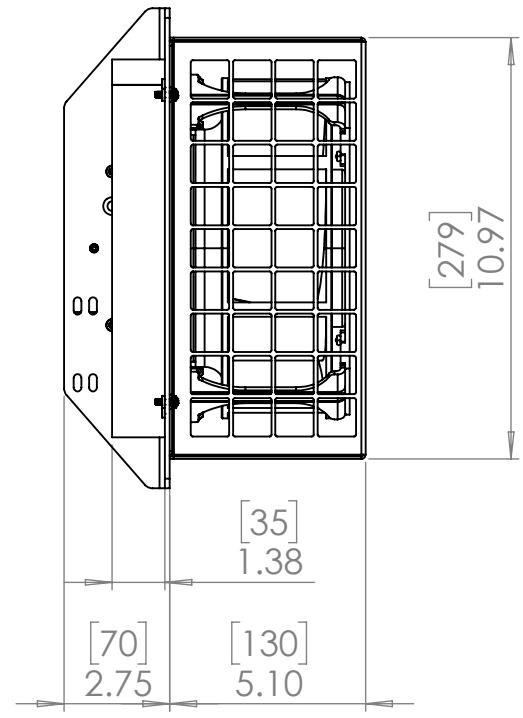
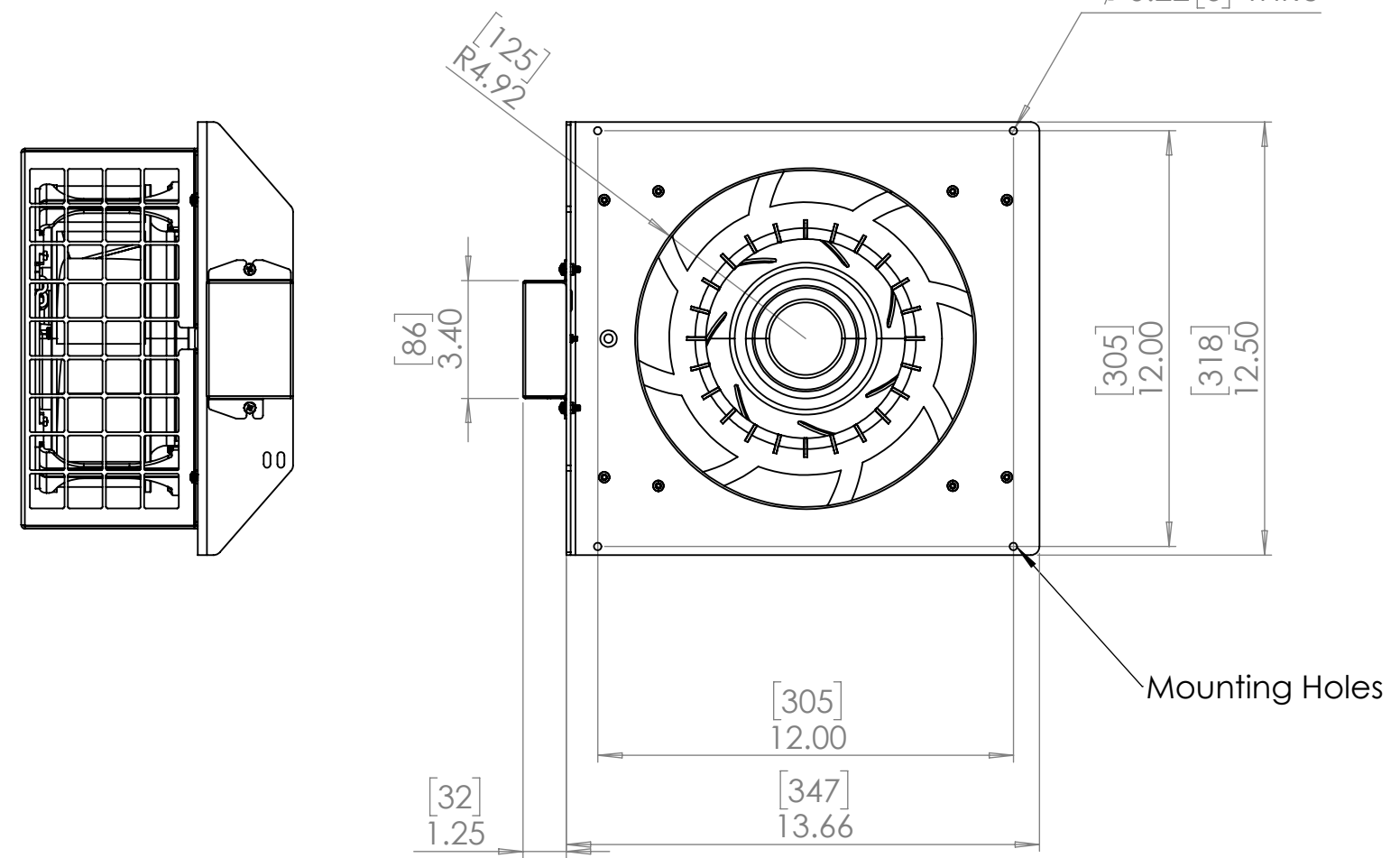
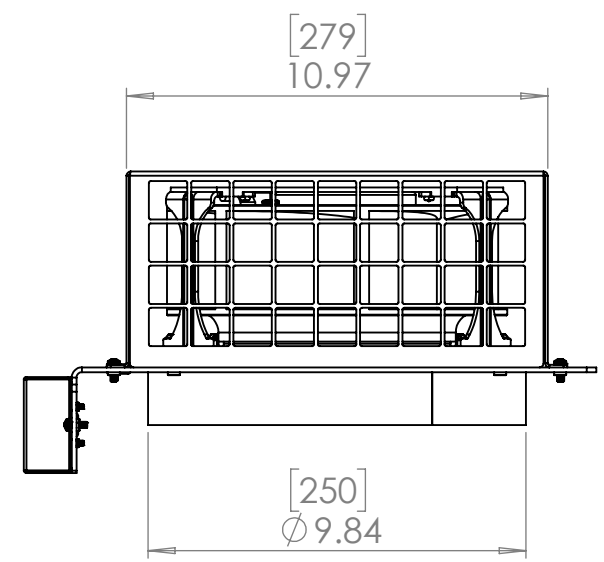


Duct Adapter Ring:
Connect with
250mm (10in) duct
to enclosure
exhaust ring.

Mount in free air, or
with blower inside
building return air
duct, out of
audience hearing.

Note that airflow is
centrifugal, 360
degrees to blower
axis.

Mounting info next
sheet.

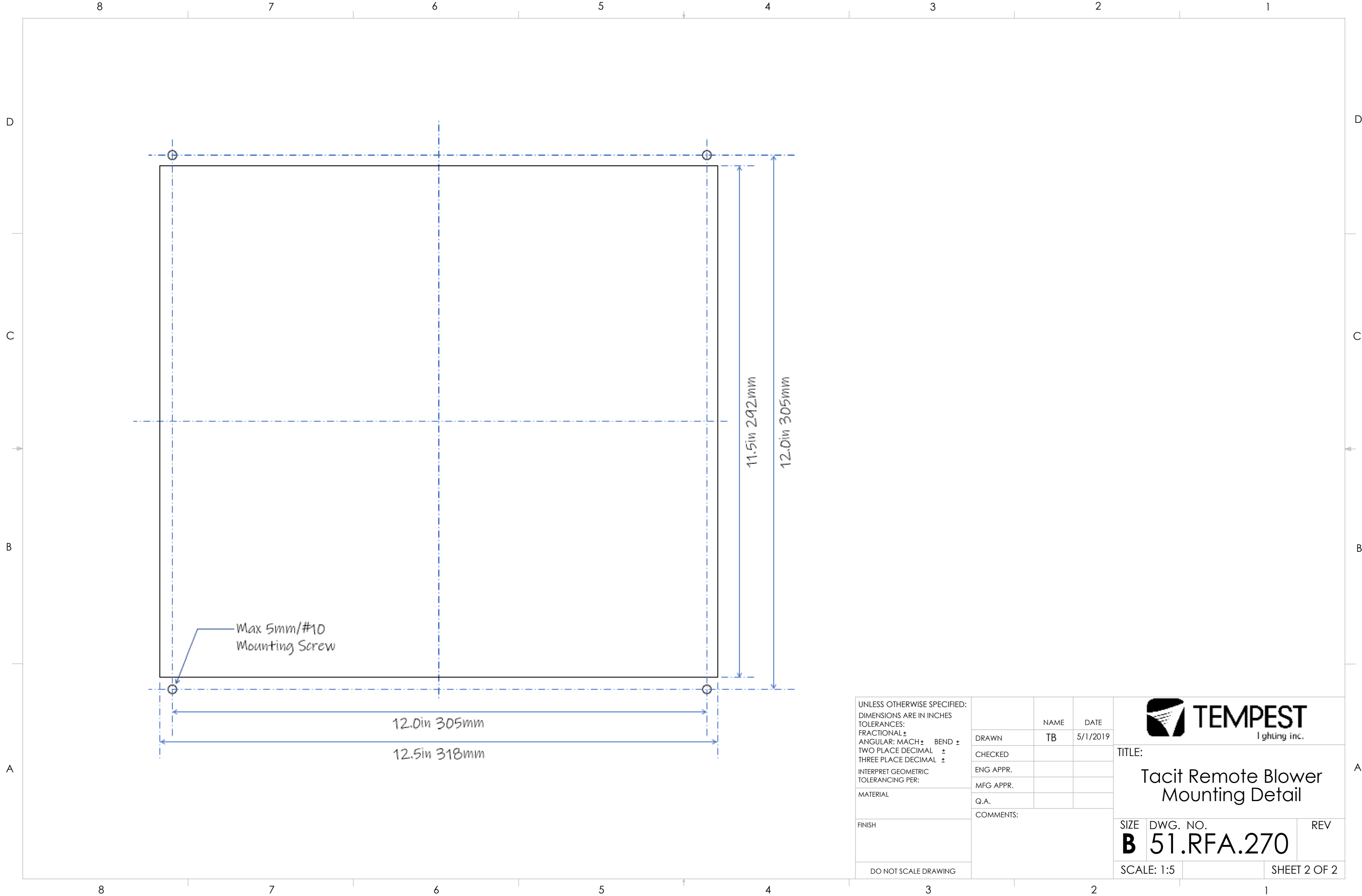


UNLESS OTHERWISE SPECIFIED:
DIMENSIONS ARE IN INCHES
TOLERANCES:
FRACTIONAL ±
ANGULAR: MACH ± BEND ±
TWO PLACE DECIMAL ±
THREE PLACE DECIMAL ±
INTERPRET GEOMETRIC
TOLERANCING PER:
MATERIAL
Aluminum
FINISH
--
DO NOT SCALE DRAWING

	NAME	DATE
DRAWN	TB	5/1/2019
CHECKED		
ENG APPR.		
MFG APPR.		
Q.A.		
COMMENTS:		

TITLE: Tacit Remote Centrifugal Blower	
SIZE B	DWG. NO. 51.RFA.270
REV 02	
SCALE: 1:5	SHEET 1 OF 2

8 7 6 5 4 3 2 1



Max 5mm/#10
Mounting Screw

12.0in 305mm
12.5in 318mm

11.5in 292mm
12.0in 305mm

UNLESS OTHERWISE SPECIFIED:
DIMENSIONS ARE IN INCHES
TOLERANCES:
FRACTIONAL ±
ANGULAR: MACH ± BEND ±
TWO PLACE DECIMAL ±
THREE PLACE DECIMAL ±
INTERPRET GEOMETRIC
TOLERANCING PER:
MATERIAL
FINISH
DO NOT SCALE DRAWING

	NAME	DATE
DRAWN	TB	5/1/2019
CHECKED		
ENG APPR.		
MFG APPR.		
Q.A.		
COMMENTS:		



TITLE: Tacit Remote Blower Mounting Detail		
SIZE B	DWG. NO. 51.RFA.270	REV
SCALE: 1:5	SHEET 2 OF 2	