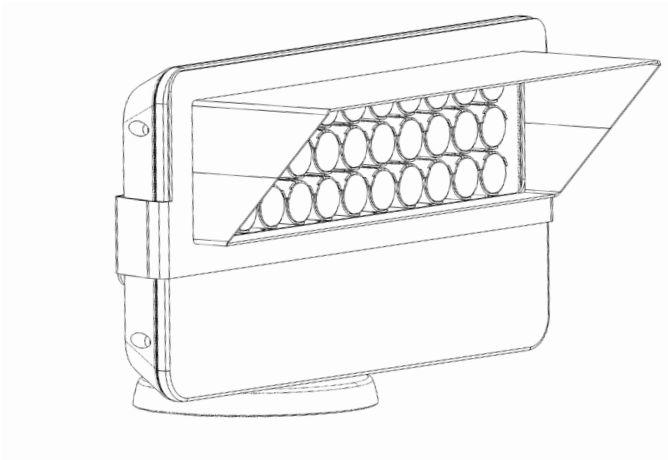


## Blast Glare Shields – Installation



*This sheet covers installation instructions for all Tempest Glare Shields, Louvers and Lens Retainers for Philips Color Kinetics Blast Powercore fixtures.*

**For Use with:**

Philips Color Kinetics Colorblast Powercore

Philips Color Kinetics EW Blast Powercore

Part Number	Description
4750.Ex*	Blast Louver
4750.Hx*	Blast Glare Shield
4750.Lx*	Blast Holographic Lens Retainer
4750.Xx*	Blast Angled Glare Shield (illustrated)
* x represents B (black) or W (white)	

**You Should Have:**

- Accessory (Glare Shield/Louver/Lens Retainer)
- Insert
- 2 x stainless steel socket cap screws
- 1 Hex Key

1. Set the stainless steel Insert bracket into the recessed groove in the back of the Blast Powercore fixture.
2. Slide the accessory down over the Blast fixture body and align it with the insert bracket.
3. Sew one of the socket cap screws through the accessory tab into the insert
4. Use the other screw to secure the other side. Adjust accessory for level — do not over-tighten.

