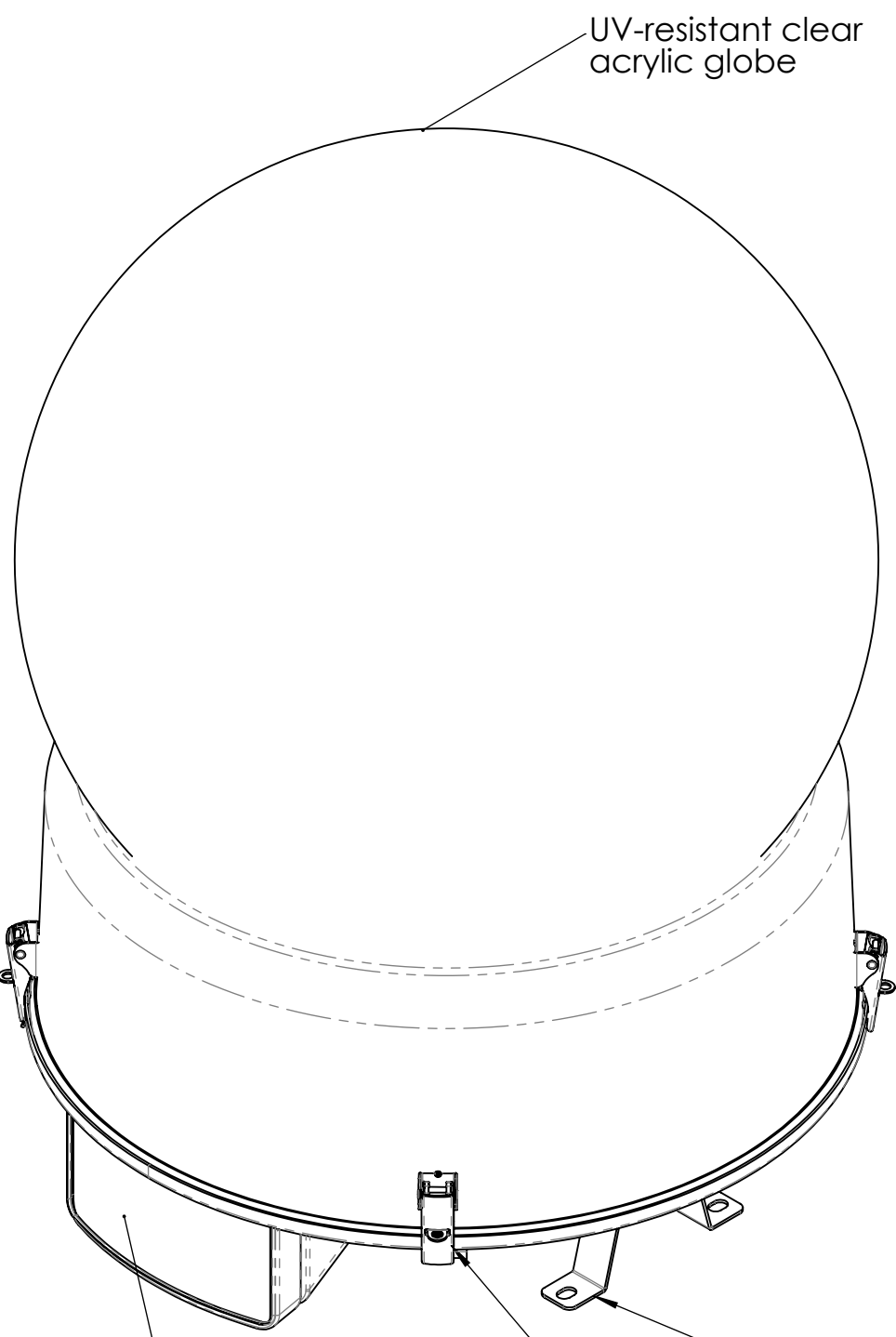


8 7 6 5 4 3 2 1

D
C
B
A



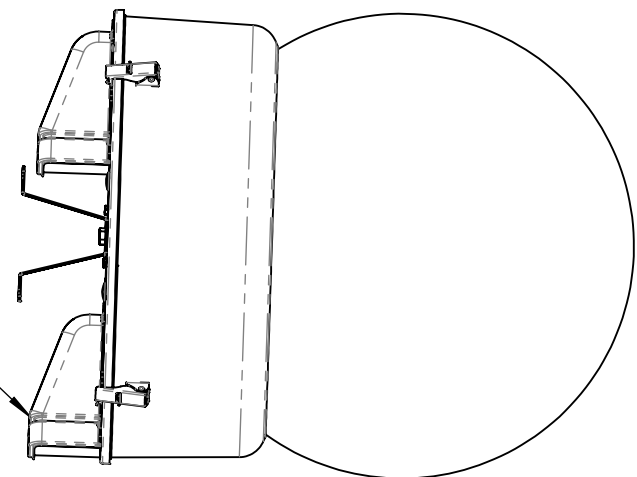
UV-resistant clear acrylic globe

Inlet/Exhaust filter cowl. Outer cowl hoods are removed for base down and horizontal operation

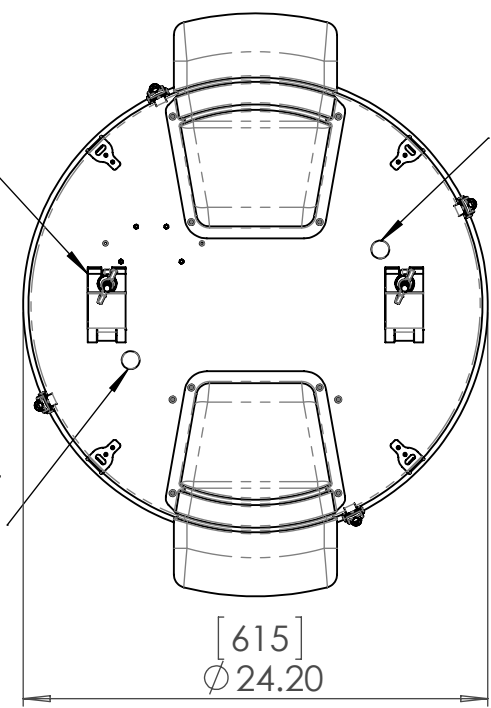
Stainless Steel Mounting brackets provided

Stainless steel draw latches for tight seal.

Both Cows face down for horizontal operation



Shown with Half-Couplers for temporary installation



Power Conduit Entry .875"[22]

DMX Conduit Entry .875"[22]

[615]
Ø 24.20

[307]
R12.10

[504]
19.85

[215]
8.46

[115]
4.54

UNLESS OTHERWISE SPECIFIED:
DIMENSIONS ARE IN INCHES
TOLERANCES:
FRACTIONAL ±
ANGULAR: MACH ± BEND ±
TWO PLACE DECIMAL ±
THREE PLACE DECIMAL ±
INTERPRET GEOMETRIC TOLERANCING PER:
MATERIAL
FINISH
DO NOT SCALE DRAWING

	NAME	DATE
DRAWN	TB	9/28/2013
CHECKED		
ENG APPR.		
MFG APPR.		
Q.A.		
COMMENTS:		



TITLE:
Twister 1900 Enclosure

SIZE DWG. NO. REV
B 1900.xx 05

SCALE: 1:20 SHEET 1 OF 1

8 7 6 5 4 3 2 1