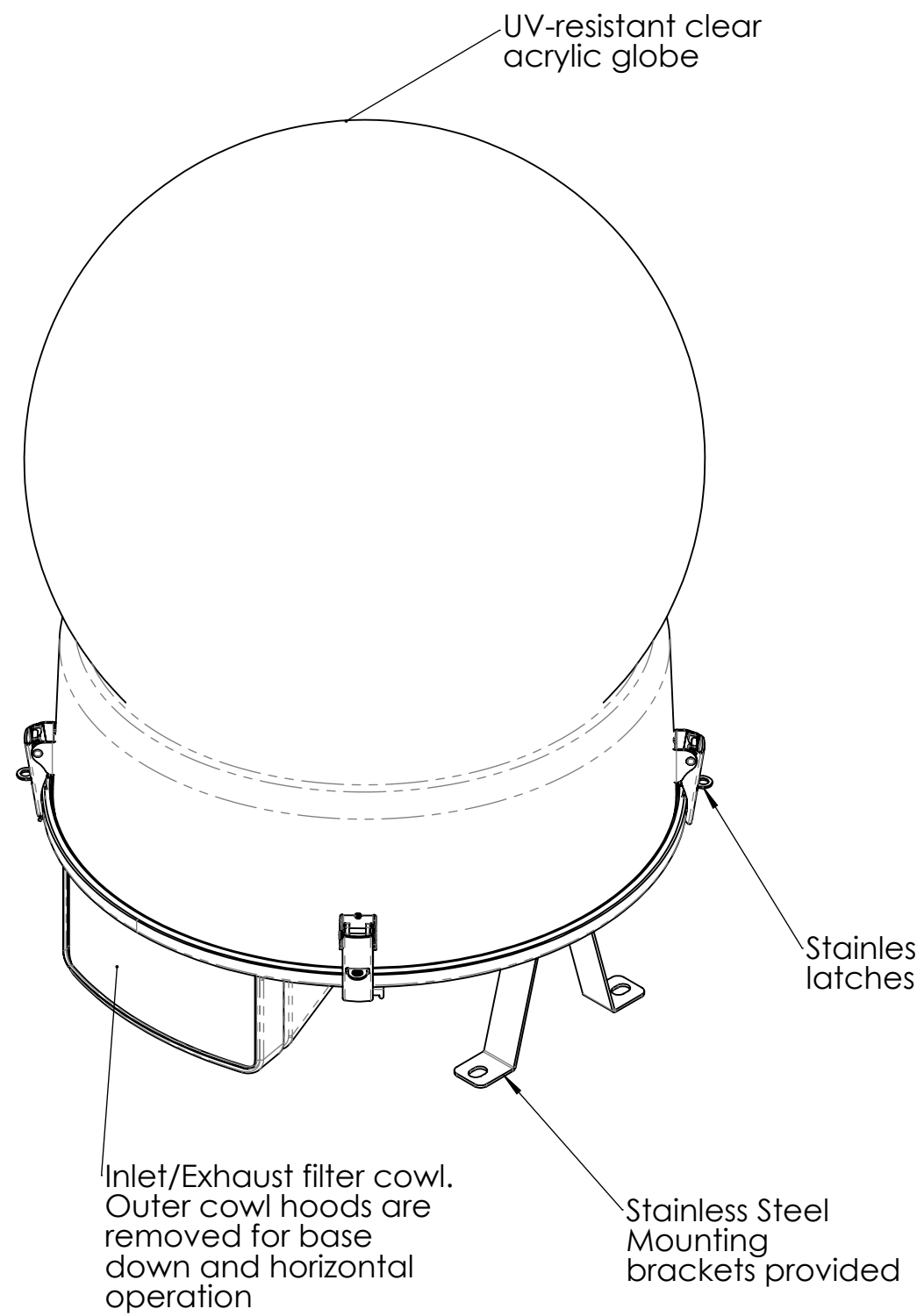


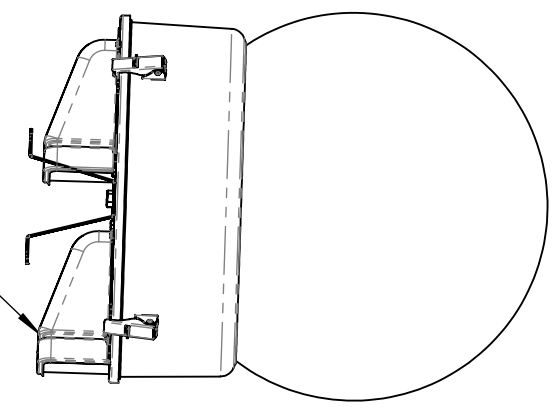
8 7 6 5 4 3 2 1

D
C
B
A

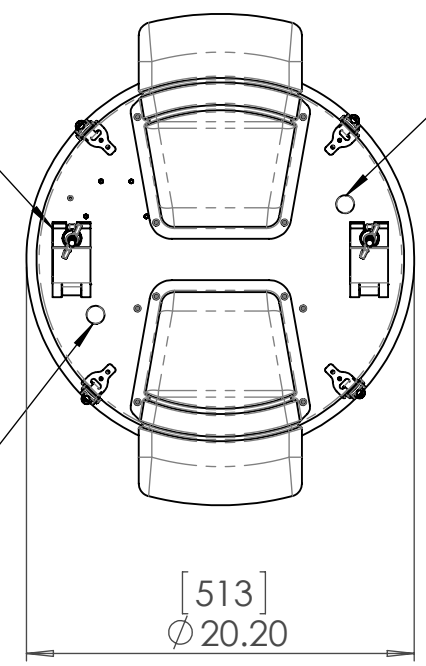
D
C
B
A



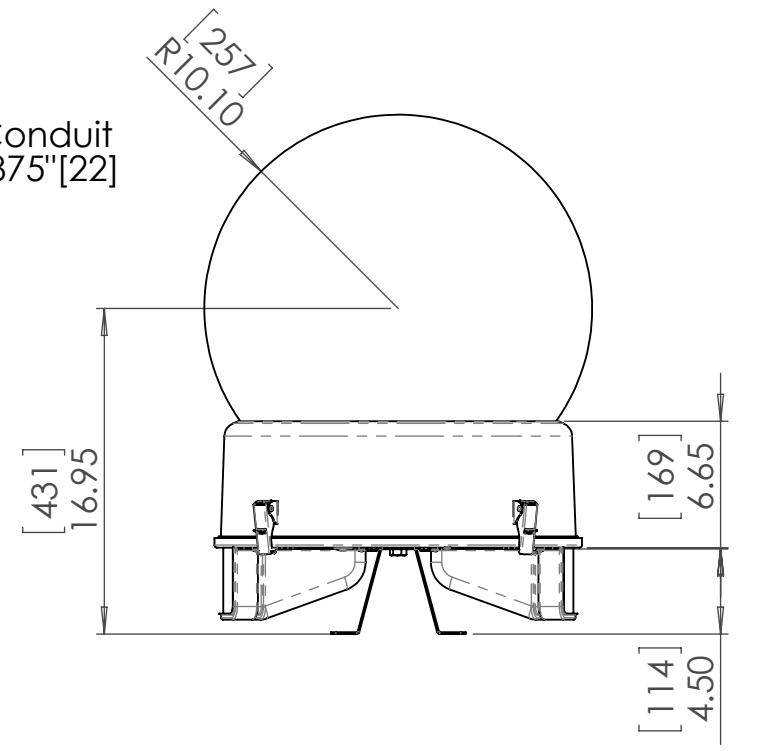
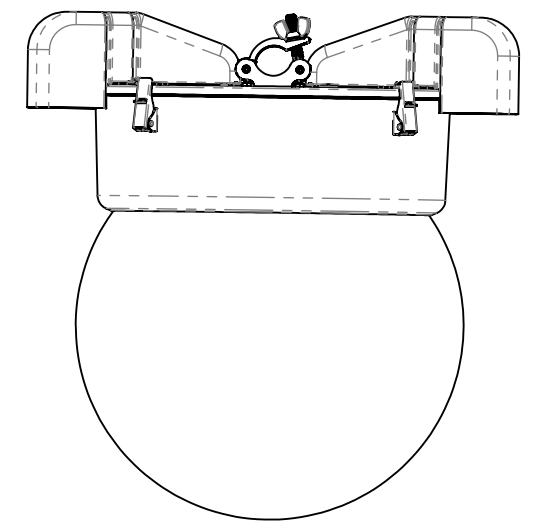
Both Cowls face down for horizontal operation



Shown with Half-Couplers for temporary installation



DMX Conduit Entry .875"[22]



UNLESS OTHERWISE SPECIFIED:
DIMENSIONS ARE IN INCHES
TOLERANCES:
FRACTIONAL: ±
ANGULAR: MACH ± BEND ±
TWO PLACE DECIMAL ±
THREE PLACE DECIMAL ±
INTERPRET GEOMETRIC TOLERANCING PER:
MATERIAL
FINISH
DO NOT SCALE DRAWING

	NAME	DATE
DRAWN	TB	9/28/2013
CHECKED		
ENG APPR.		
MFG APPR.		
Q.A.		
COMMENTS:		

TITLE:
Twister 1850 Enclosure

SIZE B	DWG. NO. 1850.xx	REV 05
SCALE: 1:20		SHEET 1 OF 1

8 7 6 5 4 3 2 1