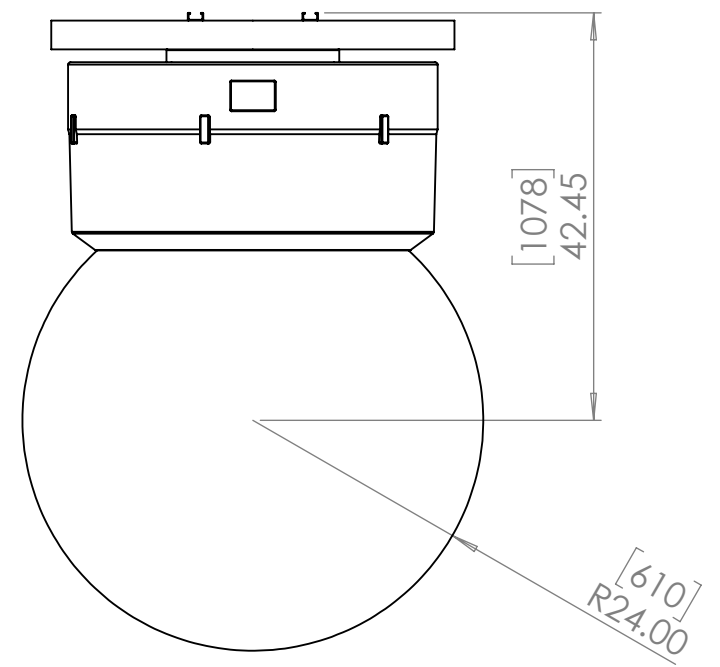
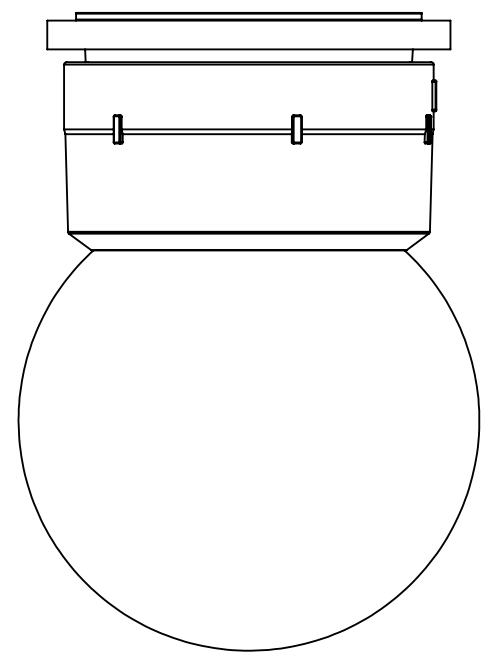
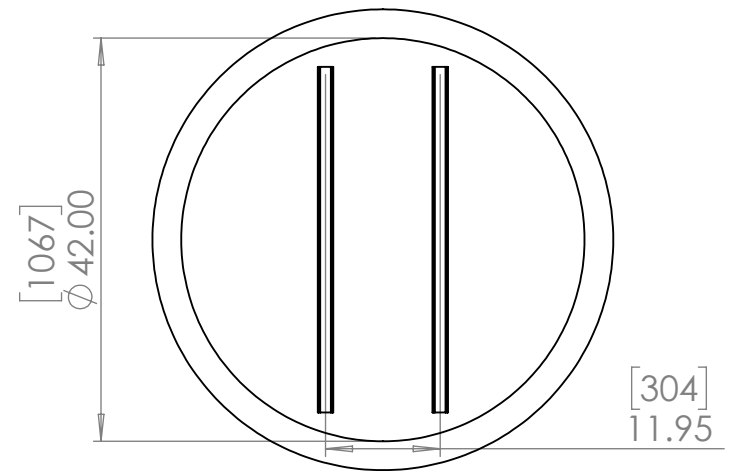
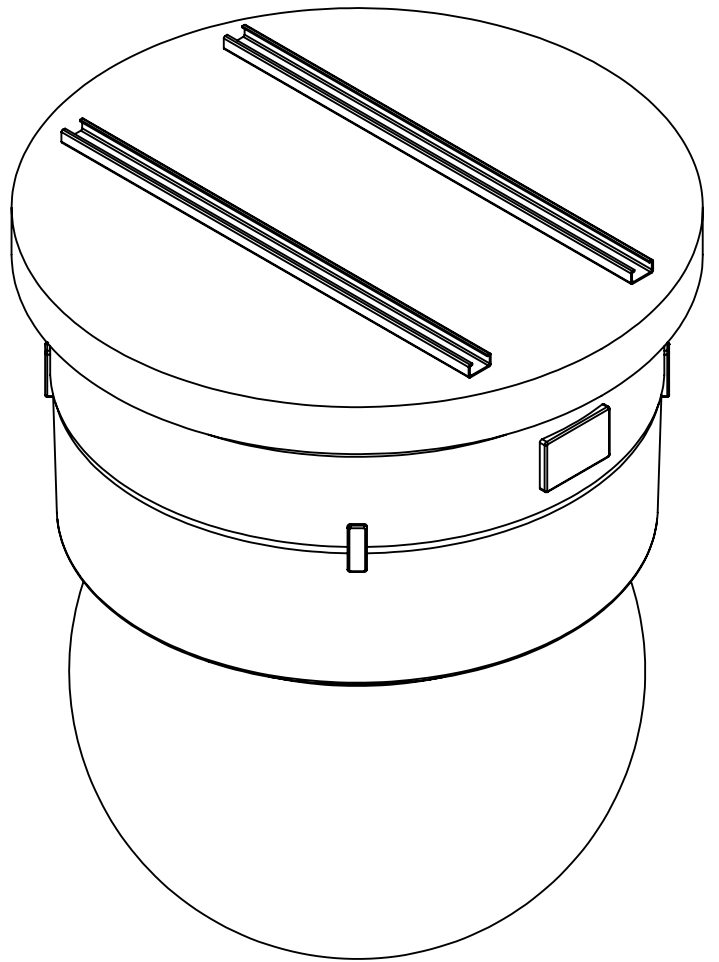


8 7 6 5 4 3 2 1


D  
C  
B  
A

D  
C  
B  
A



UNLESS OTHERWISE SPECIFIED:  
 DIMENSIONS ARE IN INCHES  
 TOLERANCES:  
 FRACTIONAL ±  
 FRACTIONAL ±  
 ANGULAR: MACH ± BEND ±  
 TWO PLACE DECIMAL ±  
 THREE PLACE DECIMAL ±  
 INTERPRET GEOMETRIC  
 TOLERANCING PER:  
 MATERIAL  
 FINISH  
 DO NOT SCALE DRAWING

|           | NAME | DATE     |
|-----------|------|----------|
| DRAWN     | TB   | 5/4/2017 |
| CHECKED   |      |          |
| ENG APPR. |      |          |
| MFG APPR. |      |          |
| Q.A.      |      |          |
| COMMENTS: |      |          |

|   |           |              |
|---|-----------|--------------|
|  |           |              |
| TITLE: Tornado G4 25000, Globe Down   |           |              |
| SIZE  | DWG. NO.  | REV          |
| <b>B</b>  | 2500.xxGV | 01           |
| SCALE: 1:20   |           | SHEET 1 OF 1 |

8 7 6 5 4 3 2 1