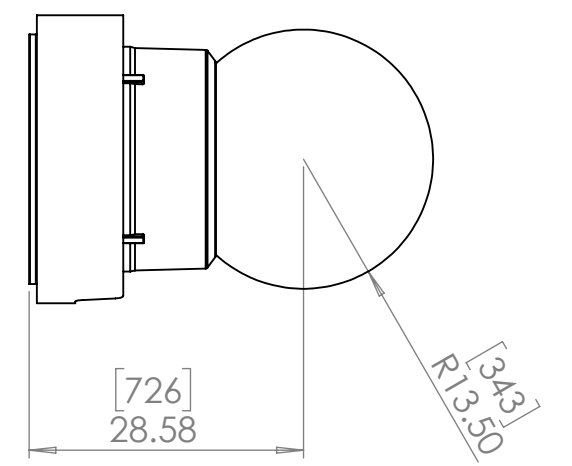
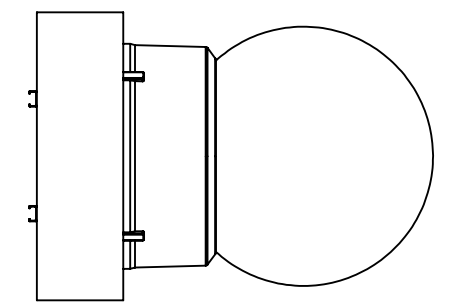
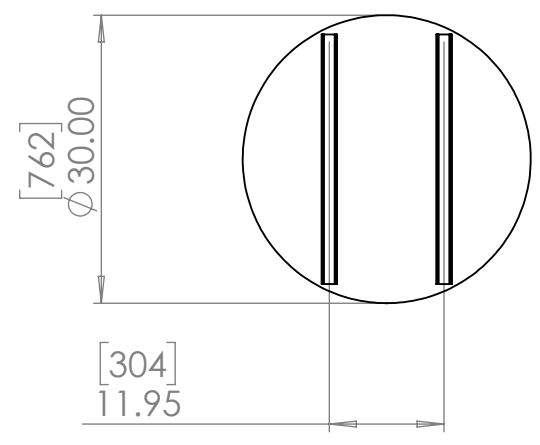
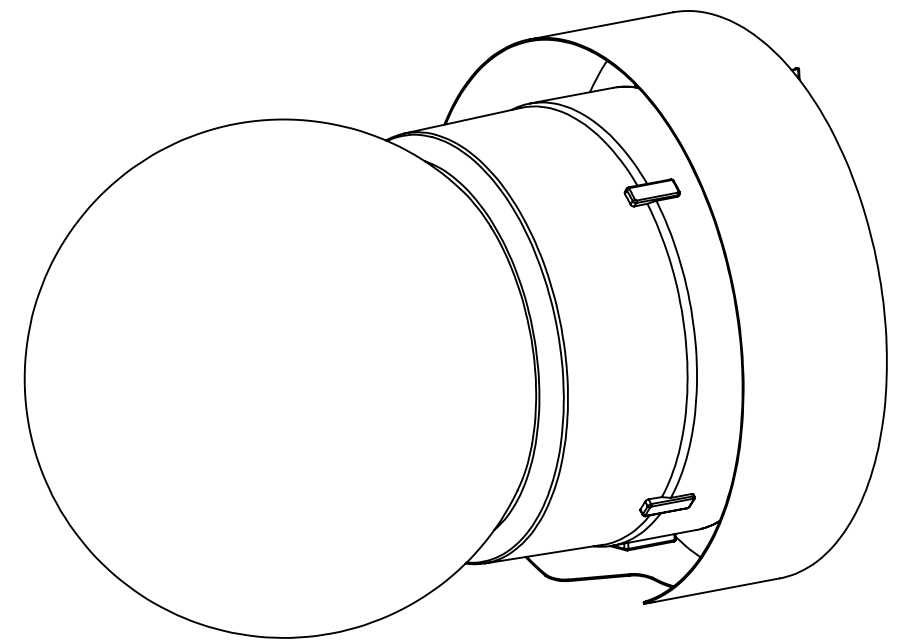


8 7 6 5 4 3 2 1

D
C
B
A



UNLESS OTHERWISE SPECIFIED:
 DIMENSIONS ARE IN INCHES
 TOLERANCES:
 FRACTIONAL ±
 ANGULAR: MACH ± BEND ±
 TWO PLACE DECIMAL ±
 THREE PLACE DECIMAL ±
 INTERPRET GEOMETRIC TOLERANCING PER:
 MATERIAL
 FINISH
 DO NOT SCALE DRAWING

	NAME	DATE
DRAWN	TB	5/4/2017
CHECKED		
ENG APPR.		
MFG APPR.		
Q.A.		
COMMENTS:		



TITLE: Tornado G4 1925, Horizontal		
SIZE B	DWG. NO. 1925.xxGH	REV 01
SCALE: 1:20		SHEET 1 OF 1

8 7 6 5 4 3 2 1