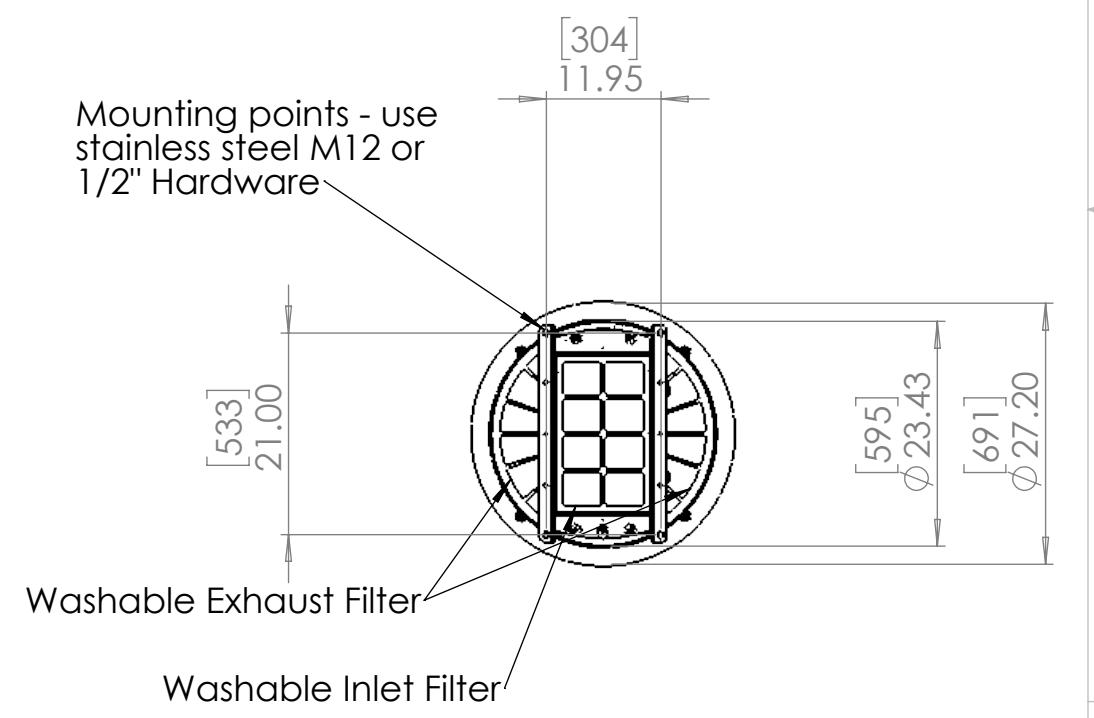
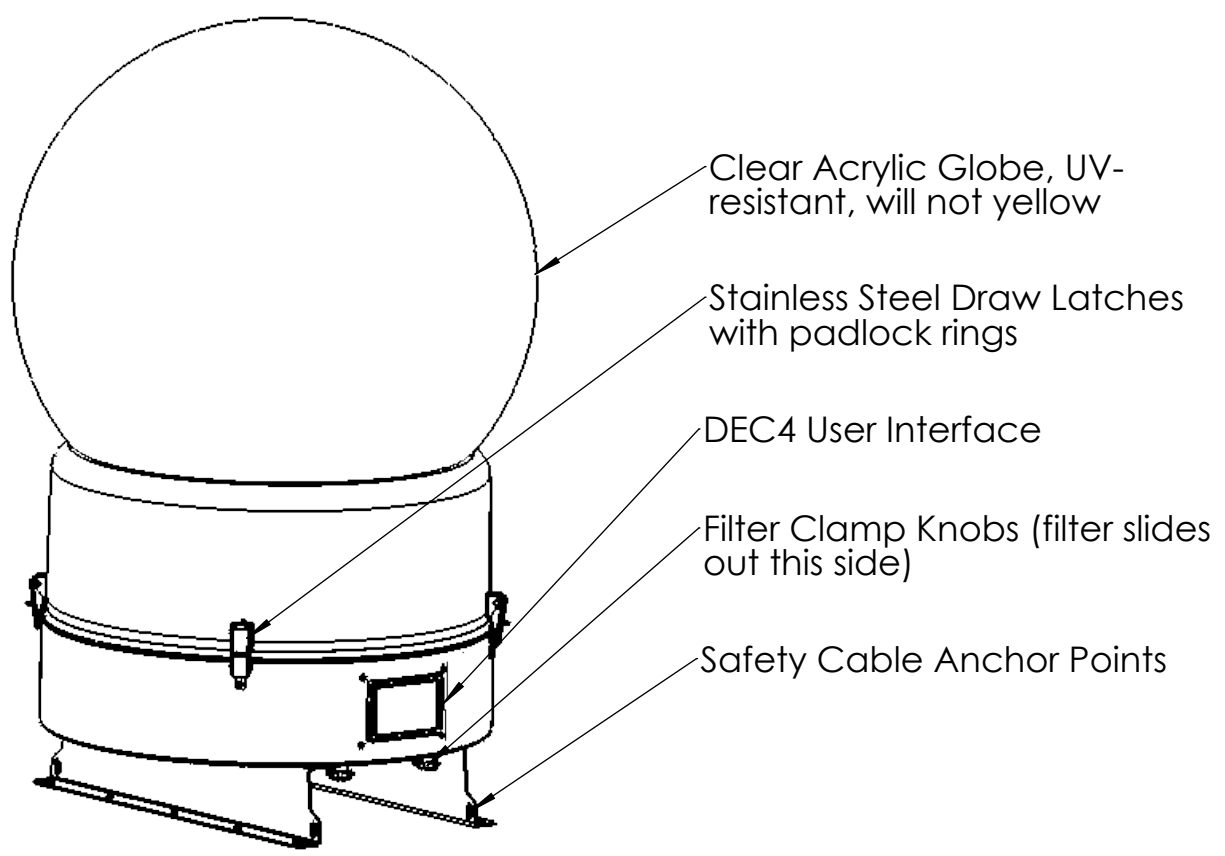
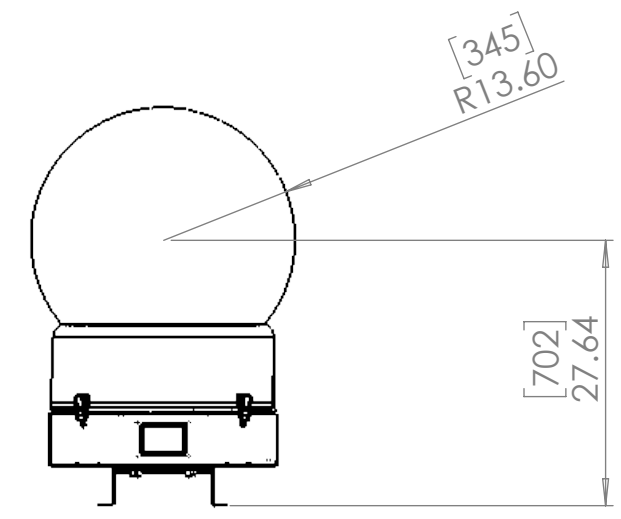
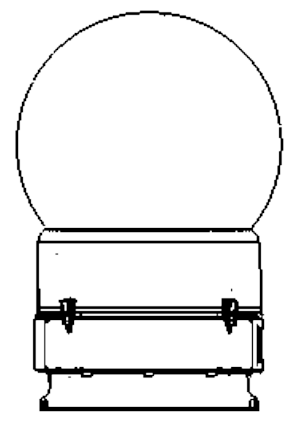


8 7 6 5 4 3 2 1

D
C
B
A

D
C
B
A



UNLESS OTHERWISE SPECIFIED:
 DIMENSIONS ARE IN INCHES
 TOLERANCES:
 FRACTIONAL ±
 ANGULAR: MACH ± BEND ±
 TWO PLACE DECIMAL ±
 THREE PLACE DECIMAL ±
 INTERPRET GEOMETRIC TOLERANCING PER:
 MATERIAL
 Aluminum & Stainless Steel
 FINISH
 DO NOT SCALE DRAWING

	NAME	DATE
DRAWN	TB	9/7/2016
CHECKED		
ENG APPR.		
MFG APPR.		
Q.A.		
COMMENTS:		

TEMPEST
lighting inc.

TITLE: Tornado G4 1925

SIZE	DWG. NO.	REV
B	1925.xxG	01

SCALE: 1:50 SHEET 1 OF 1