

8 7 6 5 4 3 2 1

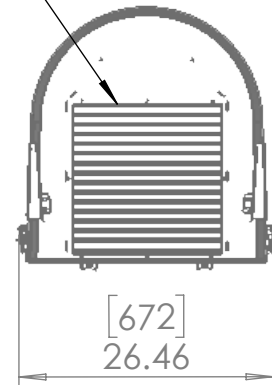
D

C

B

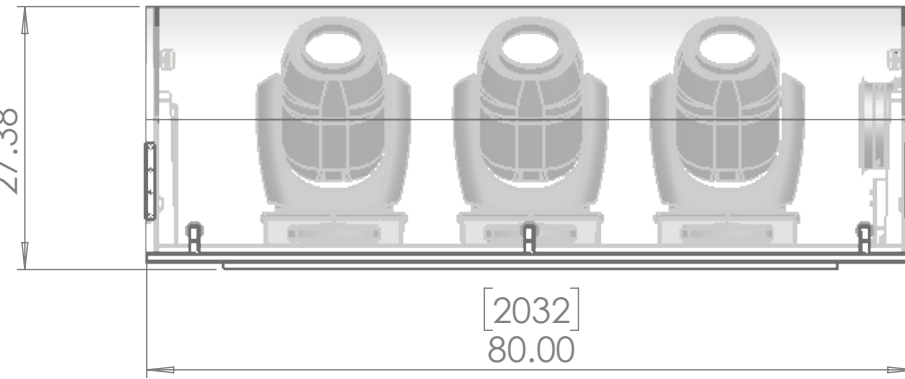
A

Salt Fog Inlet Filter



[672]
26.46

[695]
27.38

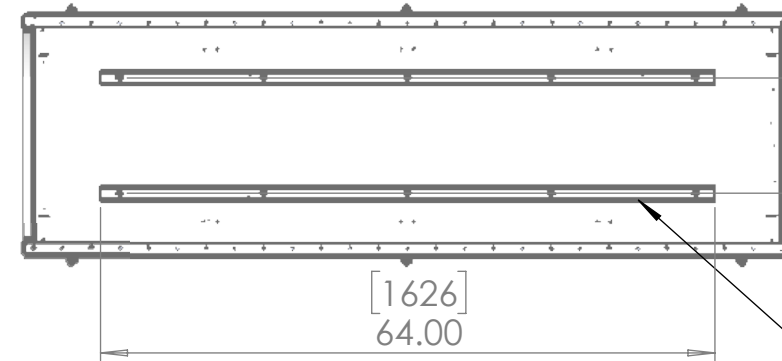
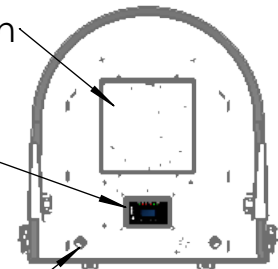


[2032]
80.00

Exhaust Fan

DEC4 User Interface

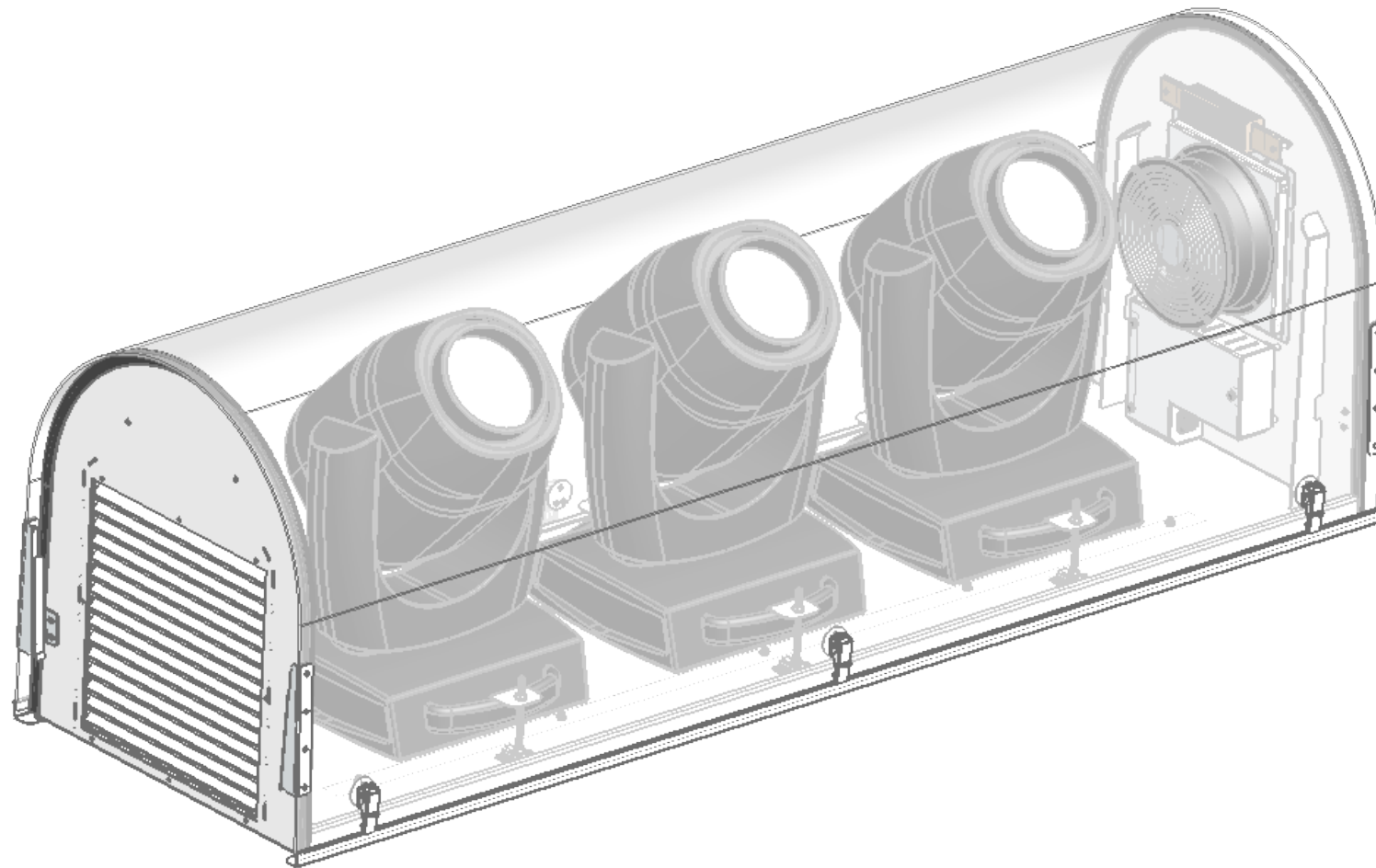
AC and Signal Conduit Entries



[305]
12.00

[1626]
64.00


Stainless Steel Unistrut Mounting Rails



8 7 6 5 4 3 2 1

UNLESS OTHERWISE SPECIFIED:
DIMENSIONS ARE IN INCHES
TOLERANCES:
FRACTIONAL ±
ANGULAR: MACH ± BEND ±
TWO PLACE DECIMAL ±
THREE PLACE DECIMAL ±
INTERPRET GEOMETRIC TOLERANCING PER:
MATERIAL
Aluminum, Stainless Steel and Plexiglass
FINISH
Powder Coat Gloss White
DO NOT SCALE DRAWING

	NAME	DATE
DRAWN	TB	1/10/2017
CHECKED		
ENG APPR.		
MFG APPR.		
Q.A.		
COMMENTS:		



TEMPEST
lighting inc.

TITLE:
Monsoon G4 Trio Enclosure

SIZE	DWG. NO.	REV
B	66.200.xx	01

SCALE: 1:20 SHEET 1 OF 1