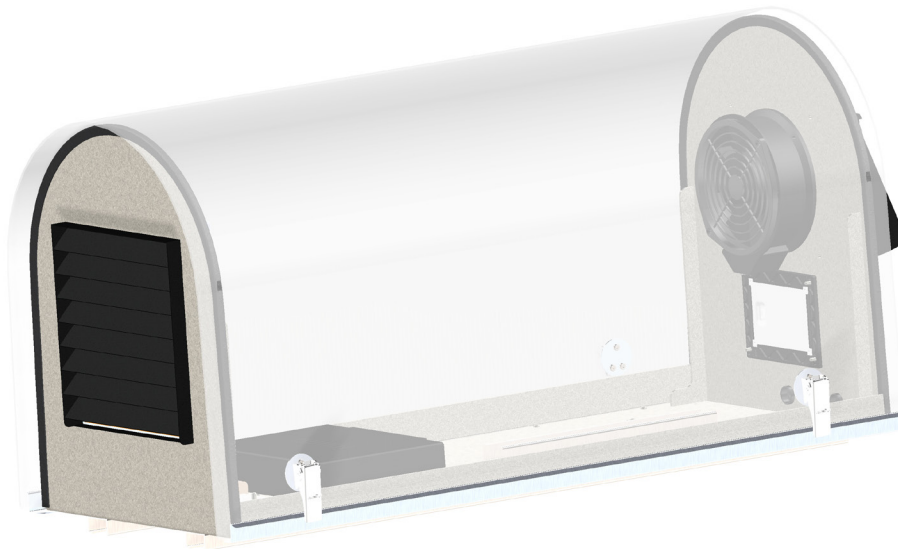


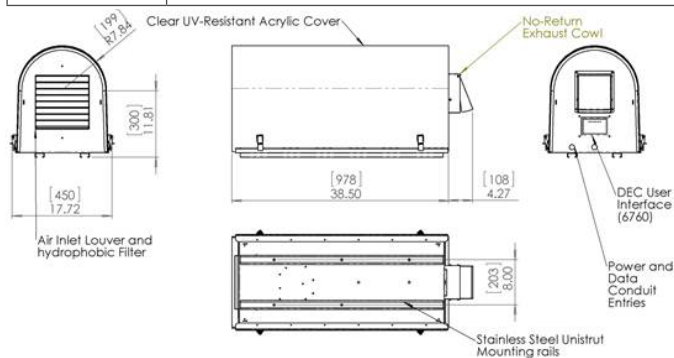
## Thunder Scan 6750 for Midsize Scanners



*This deceptively simple enclosure will protect your midsize watt scanner in all weathers – rain, sun, snow – you name it.*

*Tempest's patented Digital Enclosure Control technology (DEC3™) keeps your equipment warm when it's cold, cool when it's hot, and never, never, allows deadly condensation buildup.*

Part Number	Description
6750.IN	Thunder Scan 6750, 230V
6750.US	Thunder Scan 6750, 120V
4900.MB	Stainless Steel Unistrut bolt kit (4 required)
4900.MC	Stainless Pipe Clamp Kit for 2"/50mm pipe (4 required)



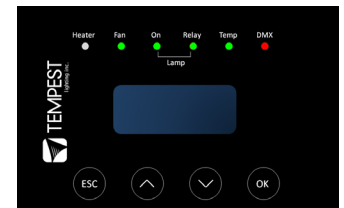
Voltage	6750.IN, 6760.IN - 230VAC 6850.US, 6860.US - 120VAC
Max Power	Enclosure - 550W (6750 max 50W) Equipment Enclosed - 1200W
Weight	48lb/22kg
Shipping	122 x 117 x 117cm, 27kg


Thunder Scan's DEC3.3 controller monitors temperature and humidity, maintaining an acceptable operating temperature for the equipment in all climates and weather conditions. DEC3 controls a powerful fan and a heater, and uses them to prevent condensation - the real killer for outdoor equipment.

DEC3.3 may be controlled using DMX512, or run entirely automatically in standalone mode. RDM monitoring is available as an option.

Enclosures may be installed base-up or base-down or vertically, using the two strips of stainless steel Unistrut on the underside, and standard Unistrut hardware. The clear plexiglass cover may be secured with padlocks, and removed for installation and service.

Thunder Scan 6750 enclosures will provide excellent elemental protection for any moving mirror head up to 32"/800mm long, with total power consumption not exceeding 1200 watts.



 Made in the USA

©Tempest Lighting, Inc., July, 2013

In the interest of continuous product improvement, specifications are subject to change without notice

### Tempest Lighting, Inc

13110 Saticoy Street, Unit C, North Hollywood, CA 91605, USA

www.tempest.org info@tempestlighting.com

t: +1 818 787 8984 f: +1 818 982 5510