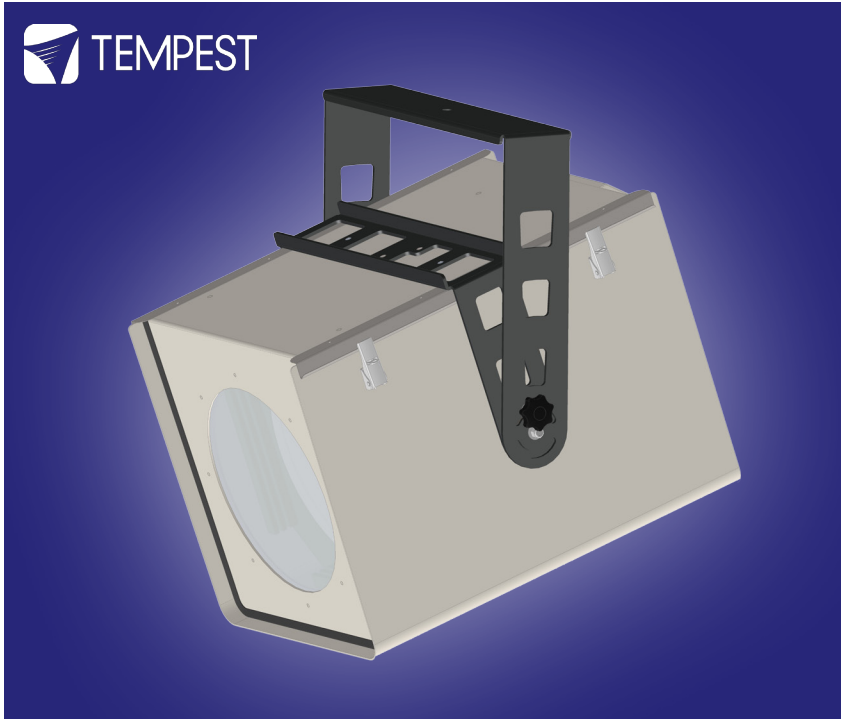




Thunder 6670 Lighting Enclosure



Now you can use the spectacular AAAdynTech Punch Plus luminaire for outdoor lighting and floodlighting applications in any climate.

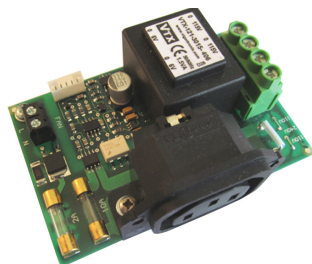
This custom Thunder enclosure will keep your luminaire dry and cool, and mounting kits are available for X/Y stadium applications as well as traditional yoke mounting.

The Thunder 6670 enclosure has been custom-designed by Tempest — undisputed leader in outdoor enclosures for high-powered lighting and projection equipment. Thunder 6670 protects your AAAdynTech luminaire in rain, snow, ice and sun, in temperatures up to 50°C/120°F.

Thunder 6670 enclosure, for AAAdynTech Punch Plus, with 6670.MY Manual Yoke Kit

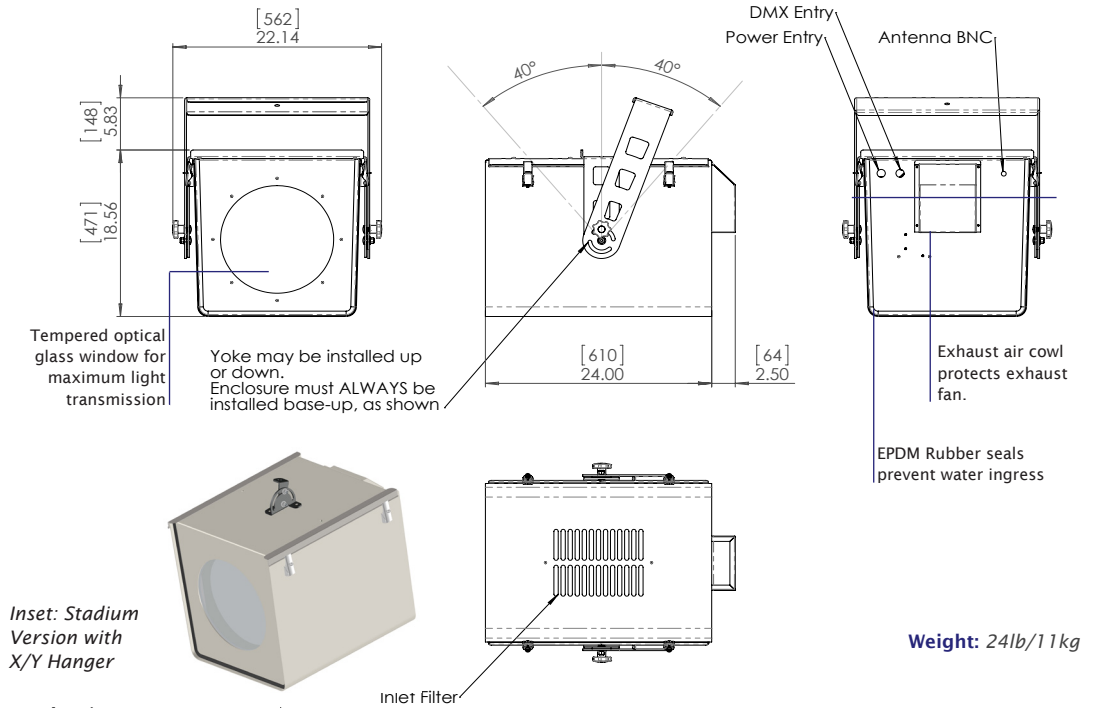
Thunder 6670 is equipped with Tempest's unique MiniDEC™ controller, to ensure cooling any time the luminaire is on or the temperature is high.

- Construction** Aluminum, plated and epoxy powder coated, and stainless steel
- Glass** Tempered optical glass window
- Mounting** Heavy-duty stainless steel hanger with 360° pan and ± 90° tilt adjustment or steel Yoke mount.
- Security** Heavy duty stainless steel latches, may be pad-locked for extra security
- Control** Tempest Lighting MiniDEC™ control system. Patents pending. MiniDEC controller monitors temperature and power to the lamp, controls cooling and changes air when the lamp is off to prevent overheating in direct sun.



- Cooling** High-power AC fan changes filtered air every 1-2 seconds when luminaire is on
- Cooldown** Fans continue running for 5 minutes after lamp turns off
- Wireless** Includes BNC Bulkhead passthrough for wireless antenna
- Power** 100-120V or 200-240VAC, 50/60Hz, single or split feed wiring for enclosure and luminaire
- Wiring** Conduit entry for AC power
- Color** Light bronze epoxy powder coat. Custom colors to order.
- Luminaire Power Outlet** IEC C13 3-pin receptacle. Rewirable C14 plug included.
- Orientation** Base up.
- Approvals** ETL listed (120V versions), CE certified (230V versions). UL50 Outdoor rated to NEMA3R, IP54.

Dimensions & Features



MiniDEC Control

Power Connection

The enclosure must be powered 24/7/365 in order to protect the equipment from overheating on hot days.

AC connection may be with one circuit, for the enclosure and luminaire, or two circuits (two hots, one neutral, one ground) for split feed so that luminaire may be isolated when not in use.

Operation

MiniDEC operation is automatic, and requires no setup.

When MiniDEC senses current drawn by the luminaire >1 Amp, OR if the temperature inside the enclosure >35°C, MiniDEC switches on the exhaust fan.

Environmental

Due to the high velocity of air movement inside the enclosure when the luminaire is running, Thunder Enclosures may be used successfully in ambient temperatures up to 50°C/122°F.

Thunder enclosures are approved to UL50 and NEMA3A to be weatherproof for rain, snow and ice accumulation.

Part Number Guide

Model	Description	Voltage	Approvals
6670.IN	Thunder 6670, for AAdynTech Punch Plus	230VAC	CE
6670.US	Thunder 6670, for AAdynTech Punch Plus	120VAC	ETL
6670.MY	Manual Yoke Kit for Thunder 6670		
6670.XY	X/Y Stadium Hanger Kit for Thunder 6670		

Shipping Weights/Dims.

Thunder 6670 30"x24"x24"(h), 35lb 76 x 61 x 61 cm, 16kg
Schedule B Export Code: 8536.30.0000

User Manual and CAD drawings

For more detailed information and installation/operating instructions, download the Thunder User Manual and Thunder 6670 CAD Drawings in DWG and PDF format from www.tempest.org

Made in the USA

©Tempest Lighting, Inc., February 2014

In the interest of continuous product improvement, specifications are subject to change without notice

Tempest Lighting, Inc.,

11845 Wicks Street, Los Angeles, CA 91352, USA

www.tempest.org info@tempestlighting.com

t: +1 888 649 6743 f: +1 818 252 7101

