

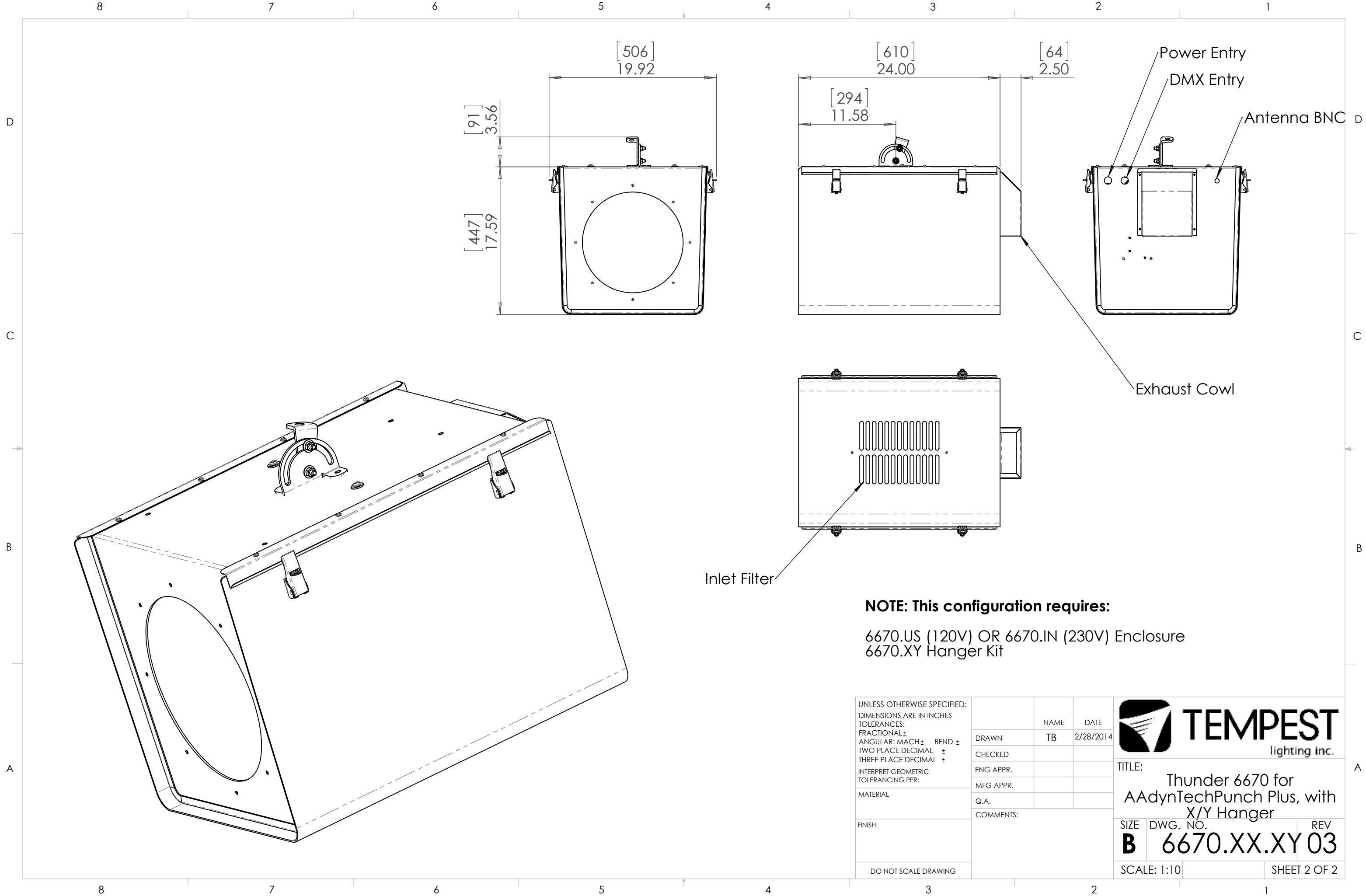
Yoke may be installed up or down.
Enclosure must ALWAYS be installed base-up, as shown

NOTE: This configuration requires:
6670.US (120V) OR 6670.IN (230V) Enclosure
6670.MY Manual Yoke Kit

UNLESS OTHERWISE SPECIFIED:
DIMENSIONS ARE IN INCHES
TOLERANCES:
FRACTIONAL ±
ANGULAR: MACH ± BEND ±
TWO PLACE DECIMAL ±
THREE PLACE DECIMAL ±
INTERPRET GEOMETRIC TOLERANCING PER:
MATERIAL
FINISH
DO NOT SCALE DRAWING

	NAME	DATE
DRAWN	TB	2/28/2014
CHECKED		
ENG APPR.		
MFG APPR.		
Q.A.		
COMMENTS:		

TITLE: Thunder 6670 for AAdynTech Punch Plus, with Manual Yoke		
SIZE	DWG. NO.	REV
B	6670.XX.MY	03
SCALE: 1:10		SHEET 1 OF 2



UNLESS OTHERWISE SPECIFIED:
 DIMENSIONS ARE IN INCHES
 TOLERANCES:
 FRACTIONAL ±
 ANGULAR: MACH ± BEND ±
 TWO PLACE DECIMAL ±
 THREE PLACE DECIMAL ±
 INTERPRET GEOMETRIC
 TOLERANCING PER:
 MATERIAL
 FINISH
 DO NOT SCALE DRAWING

	NAME	DATE
DRAWN	TB	2/28/2014
CHECKED		
ENG APPR.		
MFG APPR.		
Q.A.		
COMMENTS:		

		TITLE:	
		Thunder 6670 for AAdynTechPunch Plus, with X/Y Hanger	
SIZE	DWG. NO.	REV	
B	6670.XX.XY	03	
SCALE: 1:10		SHEET 2 OF 2	