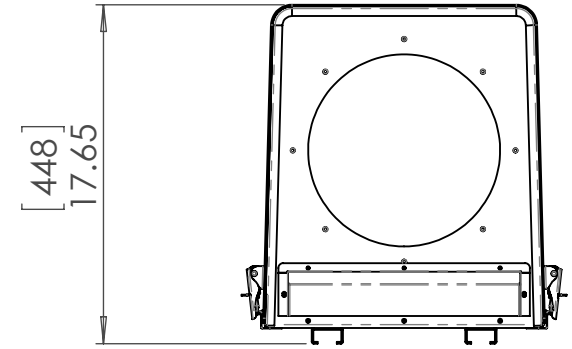
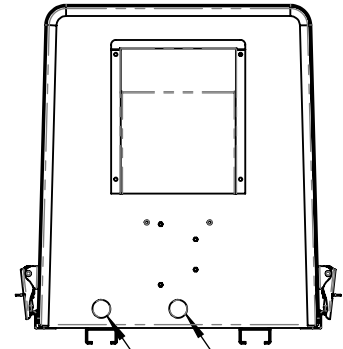
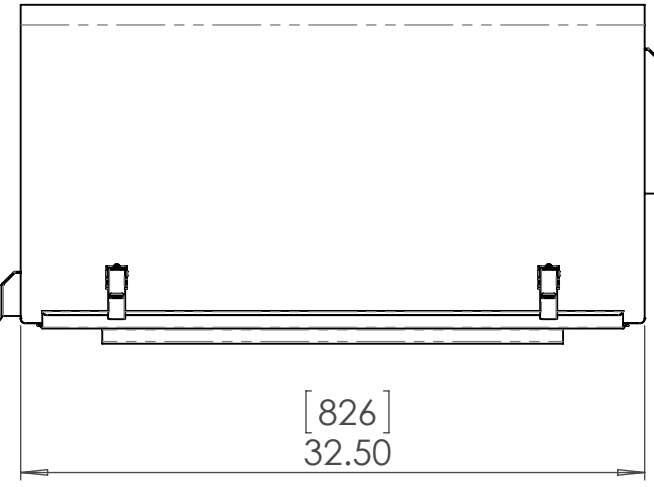


Exhaust Cowl (reversible for base-up operation)

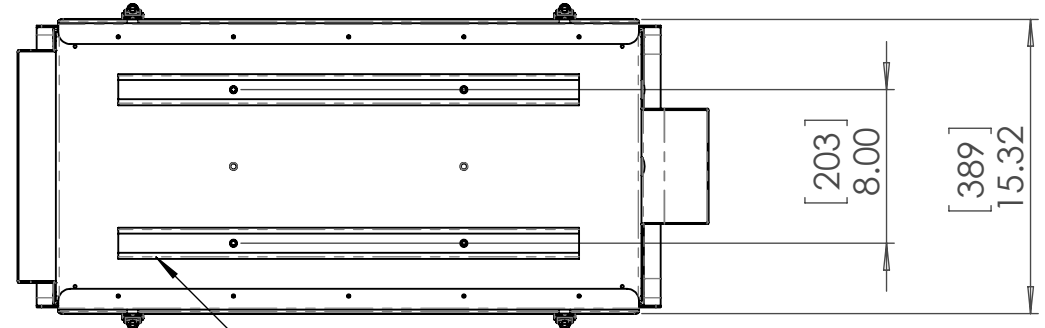


Inlet Filter Cowl (reversible for base-up operation)

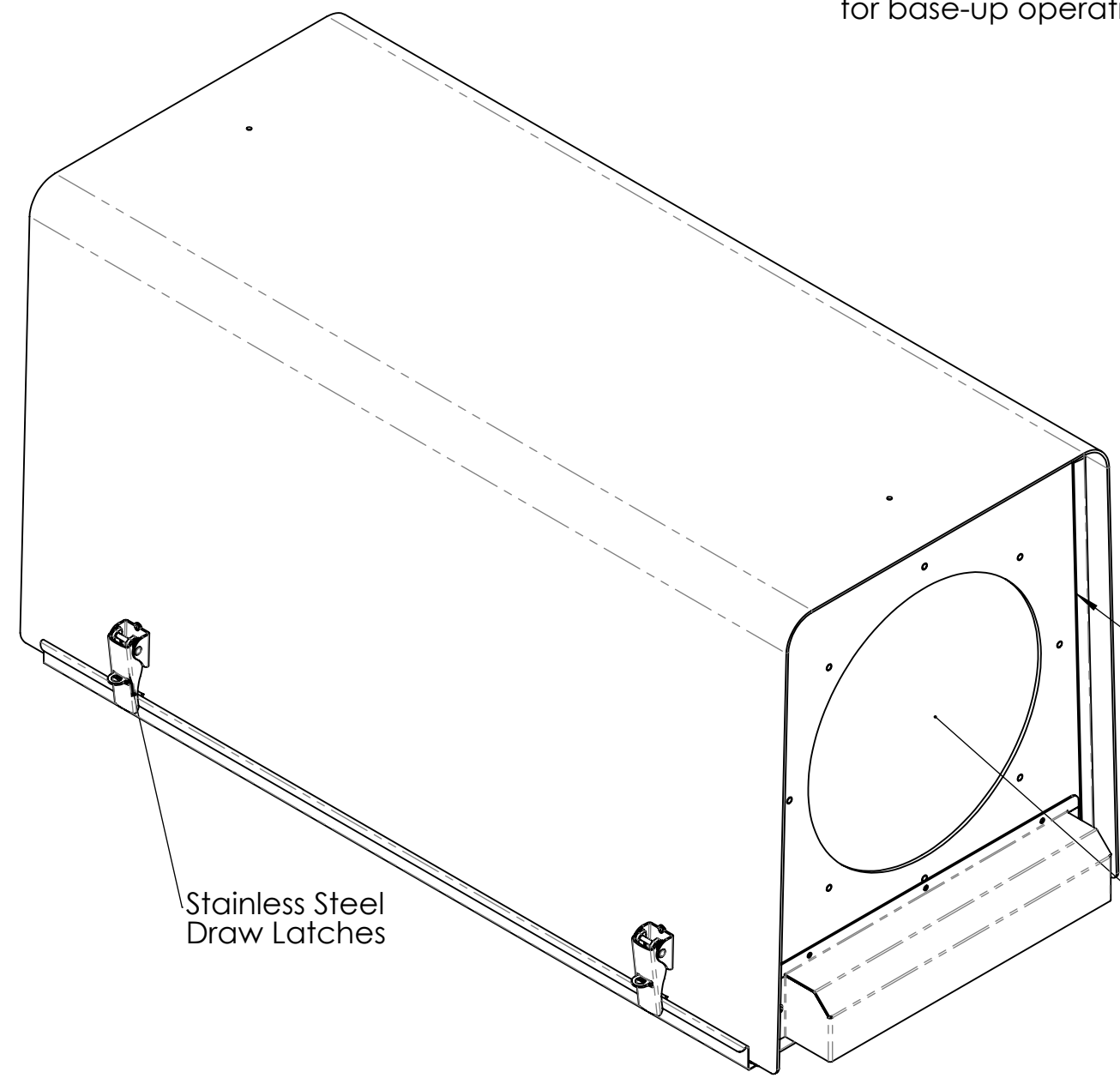


Power Entry

Control Data Entry



Stainless Steel Unistrut Mounting Rails



EPDM Rubber Seals front and back

Tempered Optical Glass Window

Stainless Steel Draw Latches

UNLESS OTHERWISE SPECIFIED:
 DIMENSIONS ARE IN INCHES
 TOLERANCES:
 FRACTIONAL: ±
 ANGULAR: MACH ± BEND ±
 TWO PLACE DECIMAL ±
 THREE PLACE DECIMAL ±
 INTERPRET GEOMETRIC TOLERANCING PER:
 MATERIAL
 Alu 5052 and Stainless Steel
 FINISH
 Powder Coat
 Cardinal T391-B290 Lt
 Bronze
 DO NOT SCALE DRAWING

	NAME	DATE
DRAWN	TB	9/30/2013
CHECKED		
ENG APPR.		
MFG APPR.		
Q.A.		
COMMENTS:		



TITLE:
Thunder 6600 Enclosure

SIZE	DWG. NO.	REV
B	6600.xx	03

SCALE: 1:20 SHEET 1 OF 1